

**SUPPORT
ARM AND
CONTROL
PANEL
SYSTEMS**

TEKNOKOL®

Support Arm and Control Panel Systems

A man with a beard, wearing a brown work shirt, is looking intently at a large, white and grey industrial robotic arm. The scene is set in a factory with warm, orange-toned lighting. The robotic arm is positioned in the foreground, extending from the right side of the frame. The background shows various industrial structures and machinery.

**We Combined
Quality With
Production**

SUPPORT ARM AND CONTROL INDEX PANEL SYSTEMS

6 About Us

8 Our Export Network

10 Load Diagram

12 Product List

18 TK 120 Series

40 TK 60 Series

72 TK 45 Series

90 Panel Systems

126 Kiosk Systems

152 Coupling Towers

154 Warning Lamps

158 Where Are We?

ABOUT US

TEKNOKOL is an innovative manufacturing company which has a highly experienced background for more than eighteen years who started its expertise in the industrial automation industry, and in a very short period of time developed to become one of the most demanded brands in both the domestic and international market. Teknokol opened up its doors for the production facility in 2012 regarding the production of high quality support arm and control panels systems in an area of 5500m2, located in Bursa , Turkey. We are a medium sized family owned company , which steers its global business from our headquarters located in Bursa, Turkey. Our team of around fifty employees brings out excellent pioneering new developments , continues together with high integrity, working for better quality each and every day. Teknokol trademarks, patents, and design registrations are recognized around the globe, and our products are certified by international testing laboratories. Recently, who added the UL Certification, Teknokol aims to be one of the top five suppliers of the world for suspension arm systems , enclosures and other aluminium joints, stands and kiosks which are highly used in the machinery industry. One of our important priority and quality is to create customer-specific panel systems, giving our customers the chance to create their own ideas as well , showing them the possible solution to every conclusion in the industry of enclosures and support arm systems. Our mission is always to keep our name in the bright side of the mind of our valuable customers, also staying focused in the improvement, innovation, high quality and accessible pricing without the sacrificing basic principles such as honesty, transparency and customer satisfaction. Teknokol A.Ş aims to be one of the top leader brand throughout the World for the production of operator support arm and control panel systems.

Our Vision

Creating a world brand by continually improving ourselves while providing constant satisfaction for our customers

Our Mission

Our mission is always to keep our name in the bright side of the mind of our valuable customers, also staying focused in the improvement, innovation, high quality and accessible pricing without the sacrificing basic principles such as honesty, transparency and customer satisfaction



From Turkey To All Around the World...

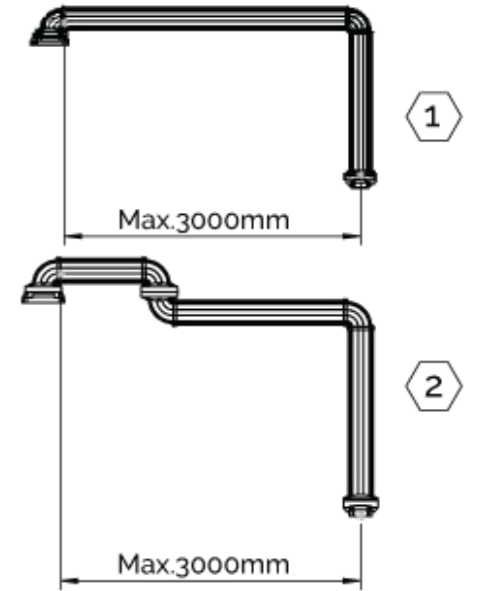
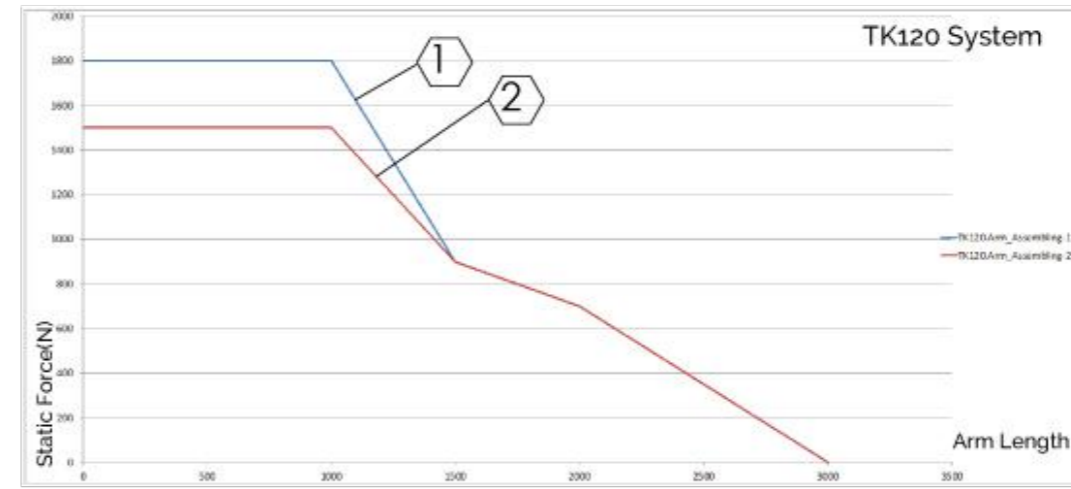
Teknokol brand name supplies its operator support arm and control panel systems around the World, to countries which are mainly in the zone of machinery and industrial automation production.

wide range of countries such Italy, Spain, Portugal, The Netherlands, Belgium, Germany, Austria, Australia, New Zealand, Switzerland, Denmark, Sweden, United Kingdom, Ireland, Finland, Hungary, Slovenia, Slovakia, South Korea, Taiwan, Indonesia, Singapour, China, Russia, Belarus, Balkans Countries, Czech Republic, Croatia, Poland, India, Egypt, Canada, United States, Brazil and Mexico.

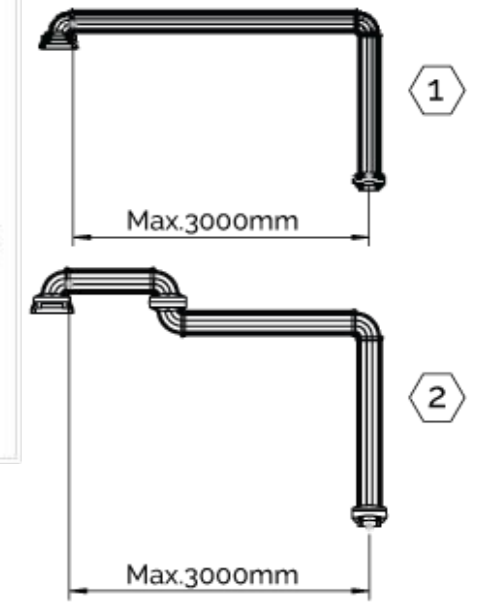
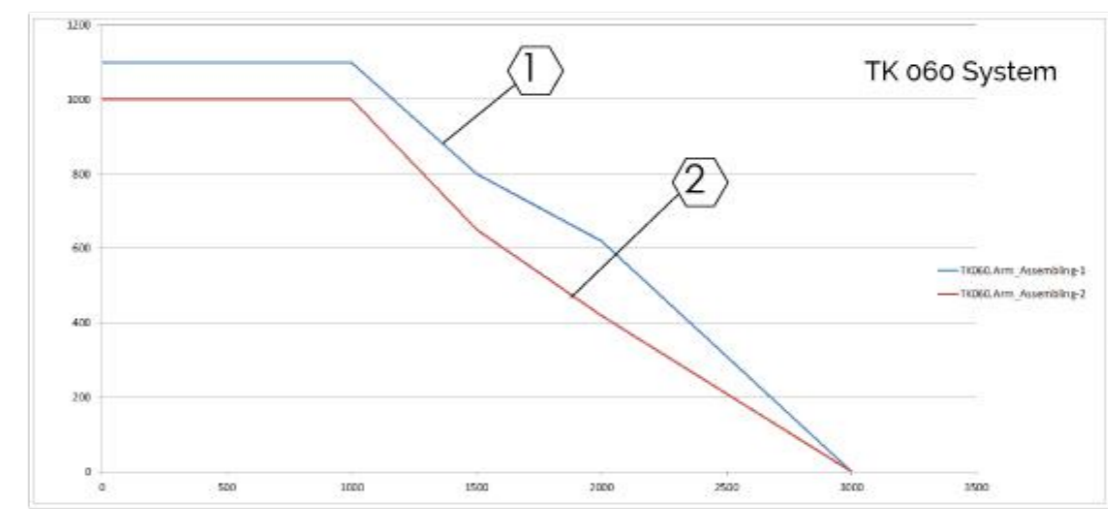
Growing each and everyday to becoming a leader brand in the World, Teknokol's enthusiastic team always aims for the better, expanding its network thanks to its collaboration partners across the globe.

Load Diagram

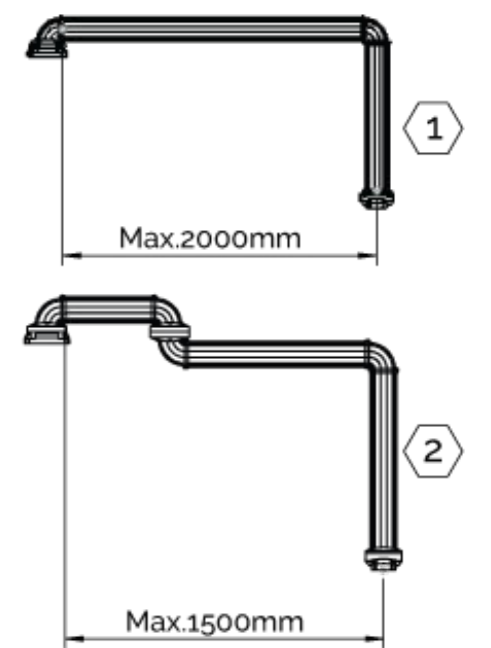
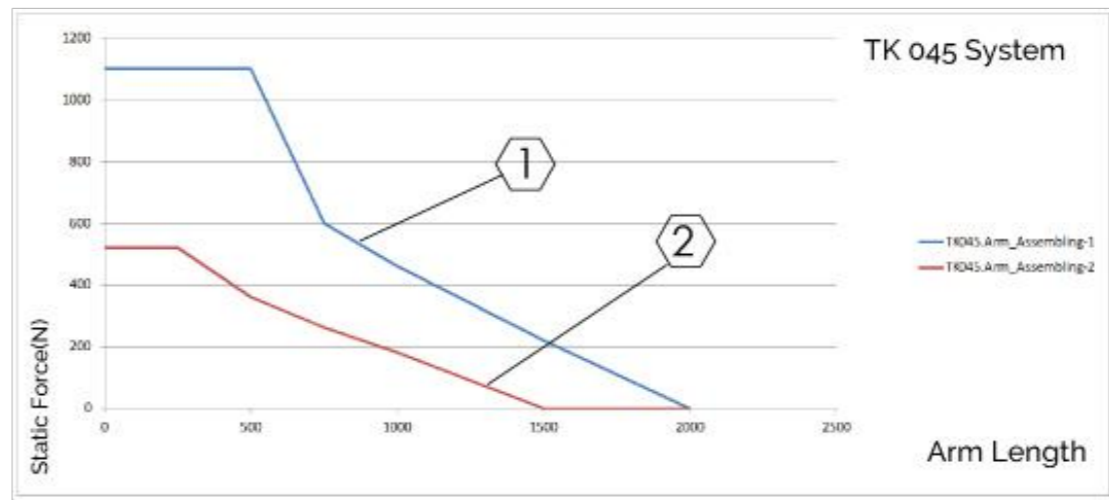
TK120 System



TK060 System



TK045 System





Product List ▶

Product	Model No	Description	Rotatable Tilting	Fixed	Length mm	Weight gr	Color No Ral No	Package
	TK120.025	120 Support Profile – 250 mm	-	☑	250	1625	7035	1
	TK120.050	120 Support Profile – 500 mm	-	☑	500	3250	7035	1
	TK120.075	120 Support Profile – 750 mm	-	☑	750	4875	7035	1
	TK120.100	120 Support Profile – 1000 mm	-	☑	1000	6500	7035	1
	TK120.125	120 Support Profile – 1250 mm	-	☑	1250	8125	7035	1
	TK120.150	120 Support Profile – 1500 mm	-	☑	1500	9750	7035	1
	TK120.175	120 Support Profile – 1750 mm	-	☑	1750	11375	7035	1
	TK120.200	120 Support Profile – 2000 mm	-	☑	2000	13000	7035	1
		TK120.310	Ø130 mm Panel Coupling	-	☑	-	490	7035
	TK120.320	Ø130 mm Rotatable Panel Coupling	☑	-	-	1300	7035	1
	TK120.400	Ø130 mm Rotatable Panel 90° Angle Coupling	☑	-	-	2400	7035/7016	1
	TK120.420	90° Angle Piece	-	☑	-	1650	7035/7016	1
	TK120.500	Rotatable Intermediate Hinge	☑	-	-	5630	7035/7016	1
	TK120.505	Steel Interconnection Module With Bellow	☑	-	-	6200	7035/7016	1
	TK120.600	Rotatable Top Mounted 90° Angle Joint	☑	-	-	5860	7035/7016	1
	TK120.610	Rotatable Top Mounted Vertical Outlet	☑	-	-	4780	7035/7016	1
	TK120.700	Rotatable Wall-Mounted Hinge Horizontal Outlet	☑	-	-	6500	7035/7016	1
	TK120.705	Steel Wall Mounted Module – With Bellow	☑	-	-	9500	7035/7016	1
	TK120.710	Rotatable Wall-Mounted Hinge Vertical Outlet	☑	-	-	5730	7035/7016	1
	TK120.800	Wall/Socket Mounting Bracket	-	☑	-	816	7035/7016	1
	TK120.810	Warning Lamp Cover (M22)	-	☑	-	290	7016	1
	TK120.811	Warning Lamp Cover (M18)	-	☑	-	290	7016	1
	TK120.820	120/060 Support Arm Adaptor	-	☑	-	500	7035	1
	TK120.900	Height-Adjustable Support Arm Systems	☑	-	-	13500	7035/7016	1

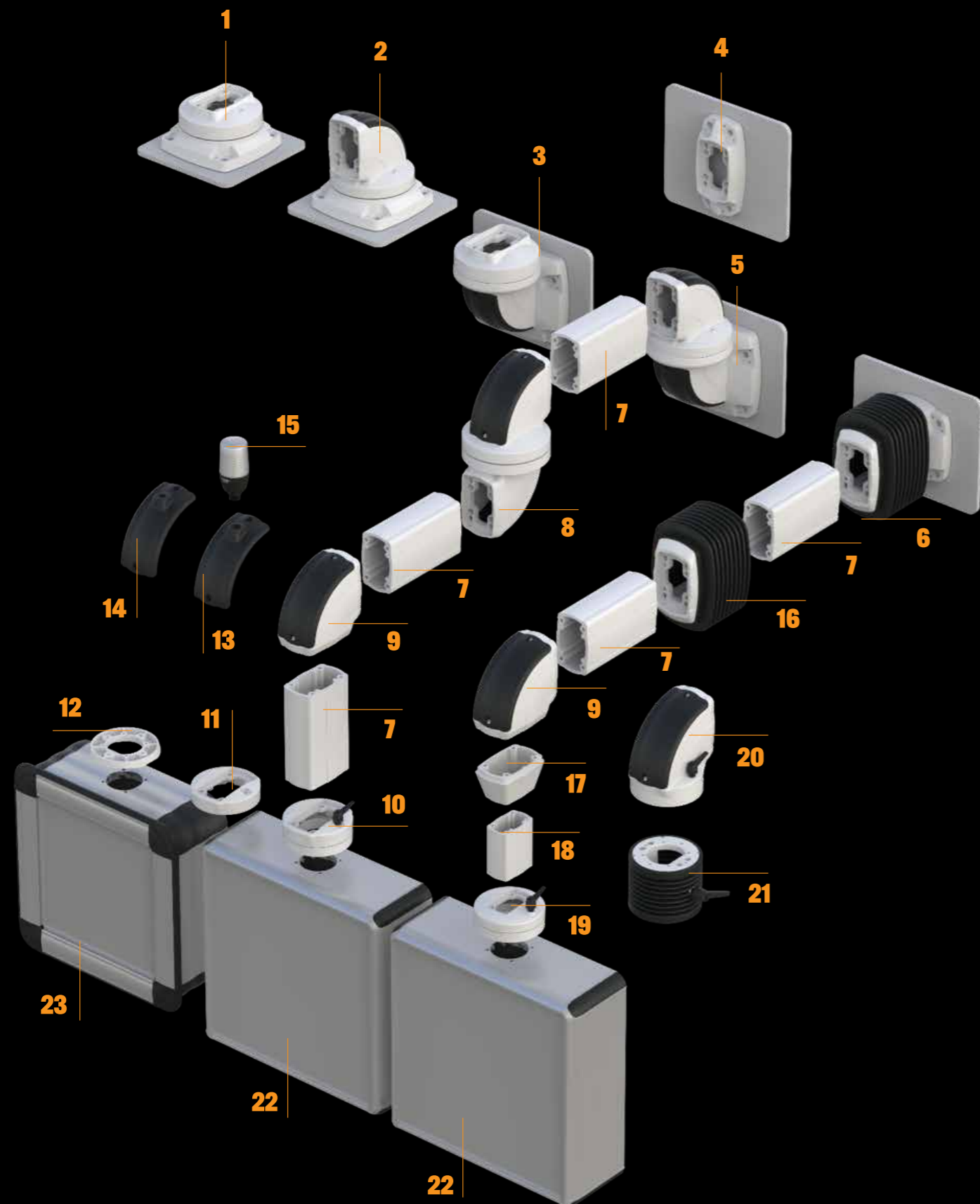
Product	Model No	Description	Rotatable Tilting	Fixed	Length mm	Weight gr	Color No Ral No	Package
	TK060.025	060 Support Profile – 250 mm	-	☑	250	1000	7035	1
	TK060.050	060 Support Profile – 500 mm	-	☑	500	2000	7035	1
	TK060.075	060 Support Profile – 750 mm	-	☑	750	3000	7035	1
	TK060.100	060 Support Profile – 1000 mm	-	☑	1000	4000	7035	1
	TK060.125	060 Support Profile – 1250 mm	-	☑	1250	5000	7035	1
	TK060.150	060 Support Profile – 1500 mm	-	☑	1500	6000	7035	1
	TK060.175	060 Support Profile – 1750 mm	-	☑	1750	7000	7035	1
	TK060.200	060 Support Profile – 2000 mm	-	☑	2000	8000	7035	1
		TK060.310	Ø130 mm Panel Coupling	-	☑	-	440	7035
	TK060.315	Ø130 mm TKP2000 Panel Coupling	-	☑	-	220	7035	1
	TK060.320	Ø130 mm Rotatable Panel Coupling	☑	-	-	1240	7035	1
	TK060.321	Ø130 mm Rotatable Panel Coupling	☑	-	-	1050	7035	1
	TK060.400	Ø130 mm Rotatable Panel 90° Angle Coupling	☑	-	-	1780	7035/7016	1
	TK060.420	90° Angle Piece	-	☑	-	640	7035/7016	1
	TK060.500	Rotatable Intermediate Hinge	☑	-	-	2060	7035/7016	1
	TK060.505	Steel Interconnection Module With Bellow	☑	-	-	2200	7035/7016	1
	TK060.600	Rotatable Top Mounted 90° Angle Joint	☑	-	-	2590	7035/7016	1
	TK060.610	Rotatable Top Mounted Vertical Outlet	☑	-	-	1950	7035/7016	1
	TK060.700	Rotatable Wall-Mounted Hinge Horizontal Outlet	☑	-	-	2550	7035/7016	1

Product	Model No	Description	Rotatable Tilting	Fixed	Length mm	Weight gr	Color No Ral No	Package
	TK060.705	Steel Wall Mounted Module With Bellow	<input checked="" type="checkbox"/>	-	-	3330	7035/7016	1
	TK060.710	Rotatable Wall-Mounted Hinge Vertical Outlet	<input checked="" type="checkbox"/>	-	-	2280	7035/7016	1
	TK060.800	Wall / Socket Mounting Bracket	-	<input checked="" type="checkbox"/>	-	320	7035/7016	1
	TK060.810	Warning Lamp Cover (M22)	-	<input checked="" type="checkbox"/>	-	130	7016	1
	TK060.811	Warning Lamp Cover (M18)	-	<input checked="" type="checkbox"/>	-	135	7016	1
	TK060.825	060/Ø48 mm Adaptor	-	<input checked="" type="checkbox"/>	-	1000	7035/7016	1
	TK060.826	Ø48 mm Adaptor	<input checked="" type="checkbox"/>	-	-	930	7035	1
	TK060.827.025	Ø48 mm Pipe Profile	-	<input checked="" type="checkbox"/>	250	1000	7035	1
	TK060.827.050	Ø48 mm Pipe Profile	-	<input checked="" type="checkbox"/>	500	2000	7035	1
	TK060.827.075	Ø48 mm Pipe Profile	-	<input checked="" type="checkbox"/>	750	3000	7035	1
	TK060.827.100	Ø48 mm Pipe Profile	-	<input checked="" type="checkbox"/>	1000	4000	7035	1
	TK060.830	Rotatable Panel Adaptor Vertical	<input checked="" type="checkbox"/>	-	-	720	7035	1
	TK060.831	10 ° Panel Adaptor	-	<input checked="" type="checkbox"/>	-	180	7035	1
	TK060.832	ECO 060 Panel Adaptor	-	<input checked="" type="checkbox"/>	-	235	7035	1
	TK060.833	Ø130 mm Panel Adaptor	-	<input checked="" type="checkbox"/>	-	700	7035	1
	TK060.834	Ø130 mm 10 ° Panel Adaptor	-	<input checked="" type="checkbox"/>	-	360	7035	1
	TK060.835	Panel Tilting Adaptor Moving	<input checked="" type="checkbox"/>	-	-	700	7035/7016	1
	TK060.836	Vesa Tilting Adaptor Moving	<input checked="" type="checkbox"/>	-	-	1150	7035/7016	1
	TK060.840	Ø130 mm Tilting Bellow	<input checked="" type="checkbox"/>	-	-	1140	7035/7016	1

Product	Model No	Description	Rotatable Tilting	Fixed	Length mm	Weight gr	Color No Ral No	Package
	TK045.025	045 Support Profile – 250 mm	-	<input checked="" type="checkbox"/>	250	500	7035	1
	TK045.050	045 Support Profile – 500 mm	-	<input checked="" type="checkbox"/>	500	1000	7035	1
	TK045.075	045 Support Profile – 750 mm	-	<input checked="" type="checkbox"/>	750	1500	7035	1
	TK045.100	045 Support Profile – 1000 mm	-	<input checked="" type="checkbox"/>	1000	2000	7035	1
	TK045.125	045 Support Profile – 1250 mm	-	<input checked="" type="checkbox"/>	1250	2500	7035	1
	TK045.150	045 Support Profile – 1500 mm	-	<input checked="" type="checkbox"/>	1500	3000	7035	1
	TK045.175	045 Support Profile – 1750 mm	-	<input checked="" type="checkbox"/>	1750	3500	7035	1
	TK045.200	045 Support Profile – 2000 mm	-	<input checked="" type="checkbox"/>	2000	4000	7035	1
	TK045.400	Rotatable Panel 90° Angle Coupling	<input checked="" type="checkbox"/>	-	-	1000	7035/7016	1
	TK045.420	90° Angle Piece	-	<input checked="" type="checkbox"/>	-	365	7035/7016	1
	TK045.500	Rotatable Intermediate Hinge	<input checked="" type="checkbox"/>	-	-	1725	7035/7016	1
	TK045.600	Rotatable Top Mounted 90° Angle Joint	<input checked="" type="checkbox"/>	-	-	1700	7035/7016	1
	TK045.610	Rotatable Top Mounted Vertical Outlet	<input checked="" type="checkbox"/>	-	-	1565	7035	1
	TK045.700	Rotatable Wall-Mounted Hinge Horizontal Outlet	<input checked="" type="checkbox"/>	-	-	1920	7035/7016	1
	TK045.710	Rotatable Wall-Mounted Hinge Vertical Outlet	<input checked="" type="checkbox"/>	-	-	1770	7035/7016	1
	TK045.800	Wall-socket Mounting Bracket	-	<input checked="" type="checkbox"/>	-	180	7035	1
	TK045.830	Rotatable Panel Adaptor Vertical	<input checked="" type="checkbox"/>	-	-	720	7035	1



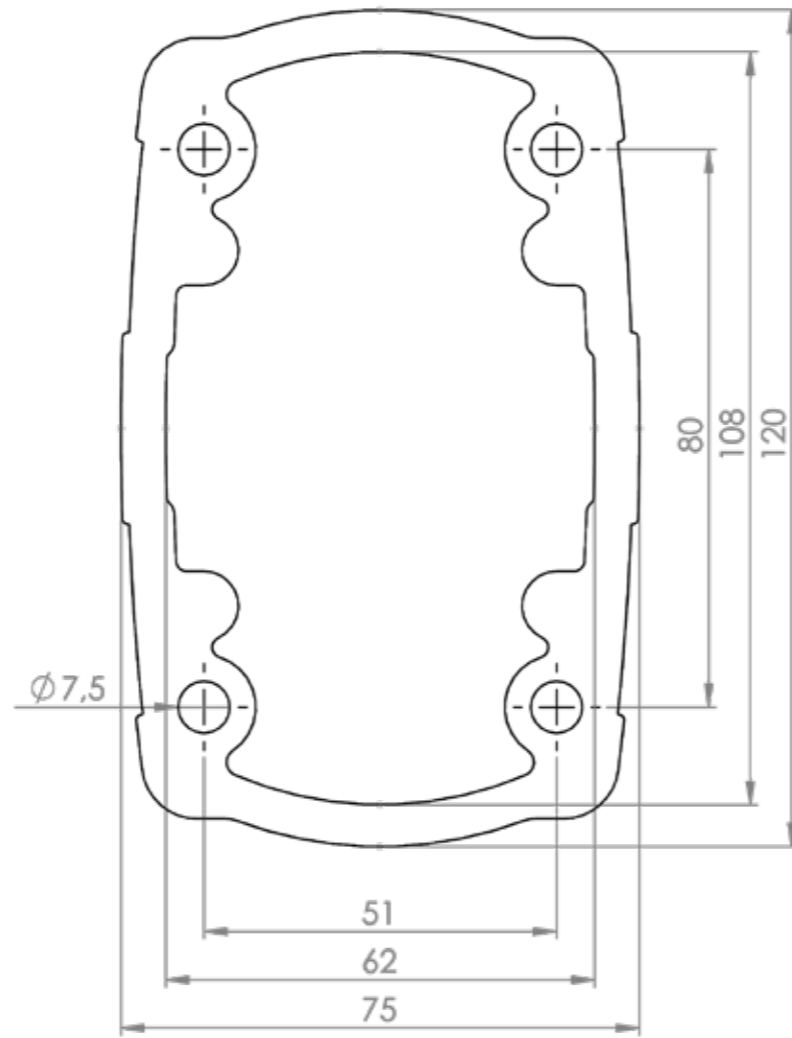
TK120
Series ▶



- | | | |
|-----------|----------------------|--|
| 1 | TK120.610 | Rotatable Top Mounted Vertical Outlet |
| 2 | TK120.600 | Rotatable Top Mounted 90° Angle Joint |
| 3 | TK120.710 | Rotatable Wall-Mounted Hinge Vertical Outlet |
| 4 | TK120.800 | Wall/Socket Mounting Bracket |
| 5 | TK120.700 | Rotatable Wall-Mounted Hinge Horizontal Outlet |
| 6 | TK120.705 | Steel Wall Mounted Module - With Bellow |
| 7 | TK120 PROFILE | Support Profile |
| 8 | TK120.500 | Rotatable Intermediate Hinge |
| 9 | TK120.420 | 90° Angle Piece |
| 10 | TK120.320 | Ø130 mm Rotatable Panel Coupling |
| 11 | TK120.310 | Ø130 mm Panel Coupling |
| 12 | TK060.315 | Ø130 mm TKP2000 Panel Coupling |
| 13 | TK120.810 | Warning Lamp Cover (M22) |
| 14 | TK120.811 | Warning Lamp Cover (M18) |
| 15 | IKZ.01 | Warning Lamp |
| 16 | TK120.505 | Steel Interconnection Module - With Bellow |
| 17 | TK120.820 | 120/060 Support Arm Adaptor |
| 18 | TK060 PROFILE | Support Profile |
| 19 | TK060.320 | Ø130 mm Rotatable Panel Coupling |
| 20 | TK120.400 | Ø130 mm Rotatable Panel 90° Angle Coupling |
| 21 | TK060.840 | Ø130 mm Tilting Bellow |
| 22 | ECO PANEL | |
| 23 | TKP2000 PANEL | |

Support Arm Profile

The TK120 series operator handles are designed to support control panels with heavy weight and big dimensions. Its durable structure makes it ideal for long-distance arm applications. The external form has a modern line, and the harmony between the other modules it works with is perfect. Offering a modular solution with a modern design, the TK120 series offers various different configuration solutions with a wide range of series. 1 mt profile length has 120 kg load carrying capacity. Standart color is RAL 7035 and have sealing properties.



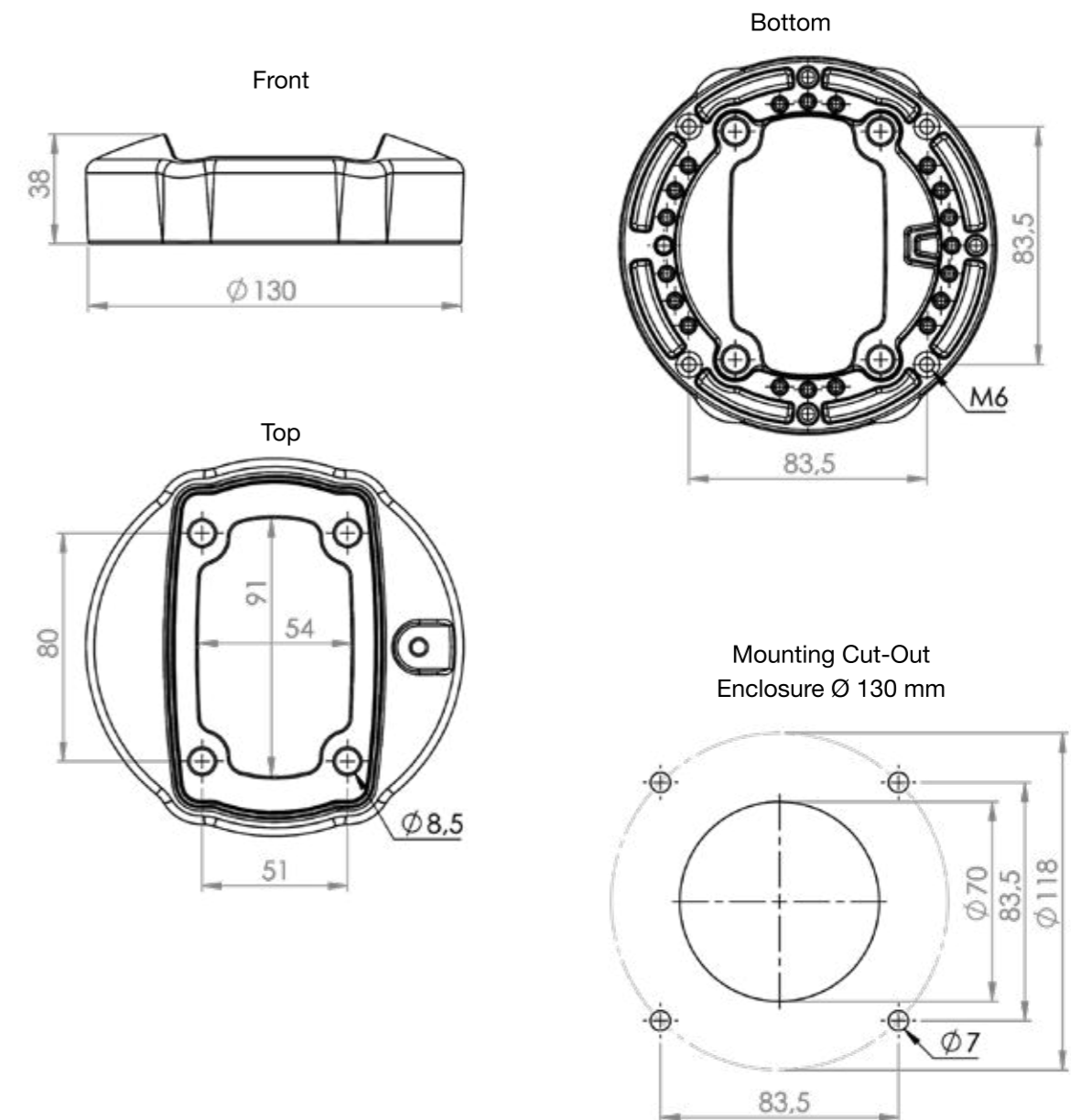
Model No	Description	Length mm	Weight gr	Ral Code	Package	Package Dimension	Material
TK120.025	120 Support Profile – 250 mm	250	1625	7035	1	80x130x260	Aluminum
TK120.050	120 Support Profile – 500 mm	500	3250	7035	1	80x130x510	Aluminum
TK120.075	120 Support Profile – 750 mm	750	4875	7035	1	80x130x760	Aluminum
TK120.100	120 Support Profile – 1000 mm	1000	6500	7035	1	80x130x1010	Aluminum
TK120.125	120 Support Profile – 1250 mm	1250	8125	7035	1	80x130x1260	Aluminum
TK120.150	120 Support Profile – 1500 mm	1500	9750	7035	1	80x130x1510	Aluminum
TK120.175	120 Support Profile – 1750 mm	1750	11375	7035	1	80x130x1760	Aluminum
TK120.200	120 Support Profile – 2000 mm	2000	13000	7035	1	80x130x2010	Aluminum

Panel Coupling

TK120.310 Panel top mounted vertical outlet provides the connection between operator panels and operator arms. The product's max. diameter is Ø 130 and it is a fixed product that does not have rotation feature. This product is designed for panel types with large depths (For example, for applications with ECO 1500 panel series or above.)



Weight (gr)	Color RAL No	Package	Package Dimension (mm)	Diameter (mm)	Material	Movement
490	RAL 7035	1	135x40x135	Ø130 mm	Aluminum	Fixed



Rotatable Panel Coupling



TK120.320 rotatable panel coupling provides the connection between operator arms with operator panels. Max. diameter of the product is Ø 130mm and the rotation angle around its axis is 310 ° in total. Thanks to the module's ability to turn around, the machine operator can make any position for himself with turning the direction of panel right or left. This product designed for the panels which have large depth. (For example ECO 1500 series or deeper)

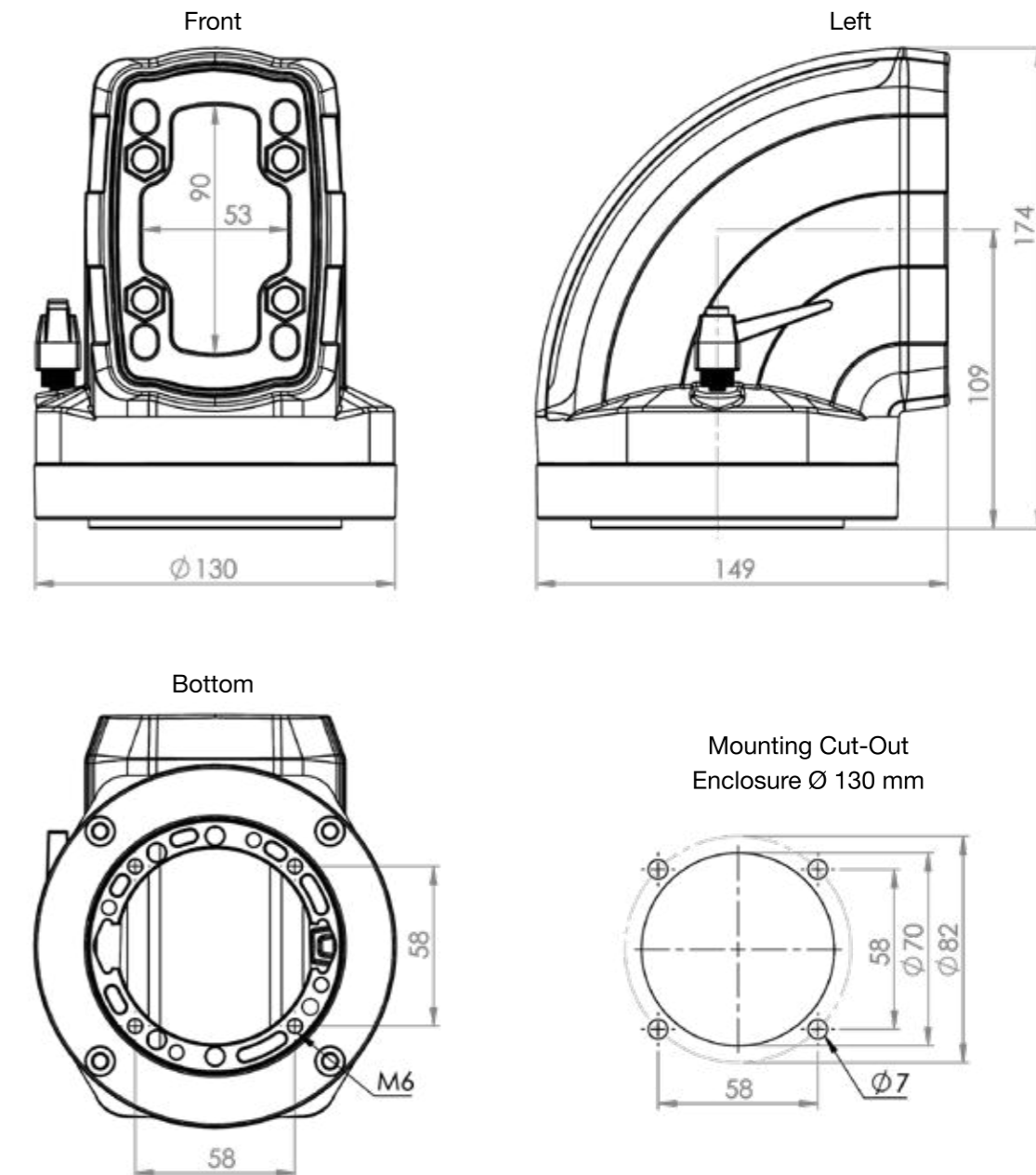
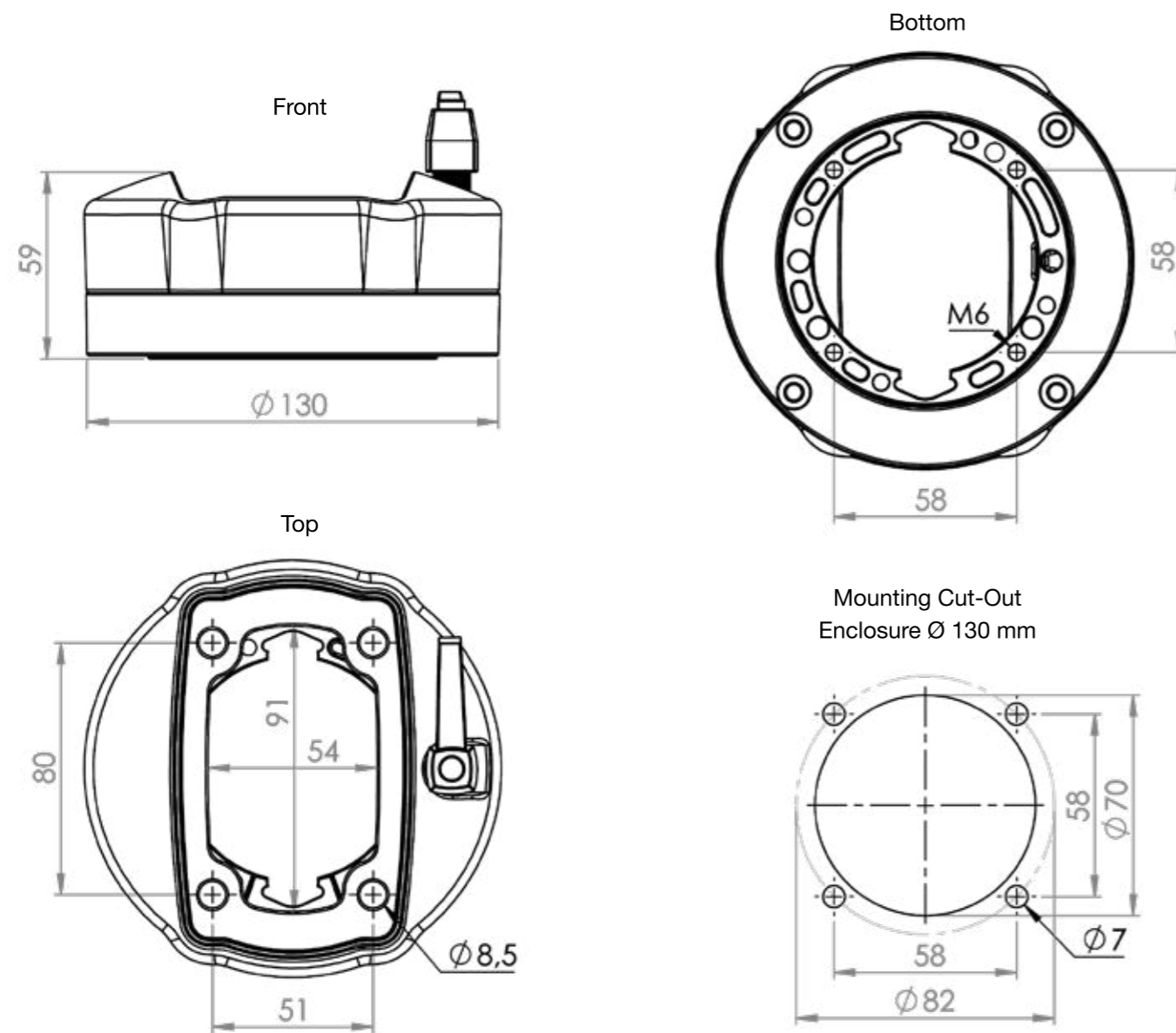
Weight (gr)	Color RAL No	Package	Package Dimension (mm)	Diameter (mm)	Material	Movement
1300	RAL 7035	1	150x60x145	Ø130 mm	Aluminum	Rotatable 310°

Rotatable Panel 90° Angle Coupling



TK120.400 Rotatable 90° Angle Panel Coupling is designed for combination which operator panels are needed immediately after a 90 ° angle corner turn. Max. diameter of the product is Ø 130mm and the rotation angle around its axis is 310 ° in total. Thanks to the module's ability to turn around, the machine operator can make any position for himself with turning the direction of panel right and left. This product is designed for panel with large depths. (For example ECO 1500 series or deeper)

Weight (gr)	Color RAL No	Package	Package Dimension (mm)	Diameter (mm)	Material	Movement
2400	RAL 7035 / (Cover RAL 7016)	1	220x150x170	Ø130 mm	Aluminum	Rotatable 310°

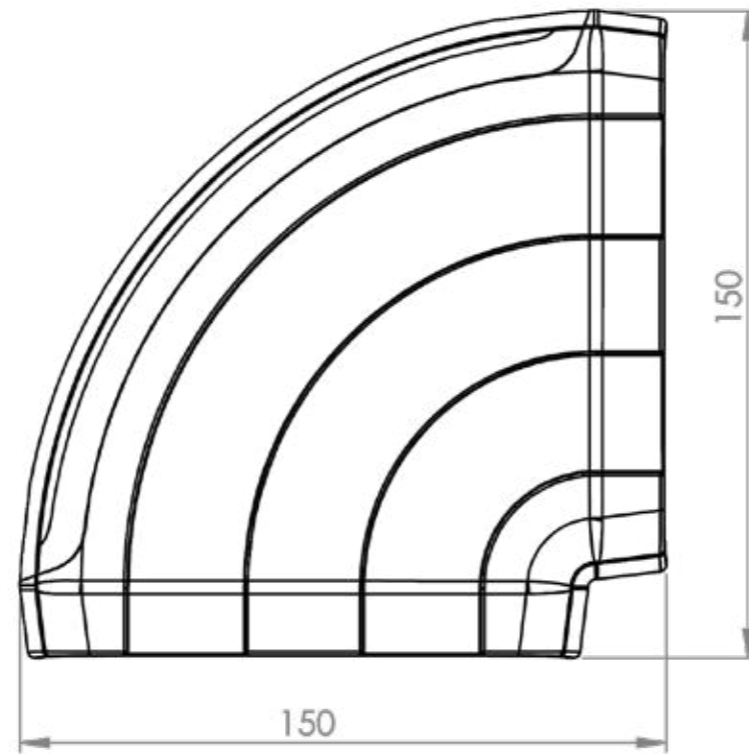
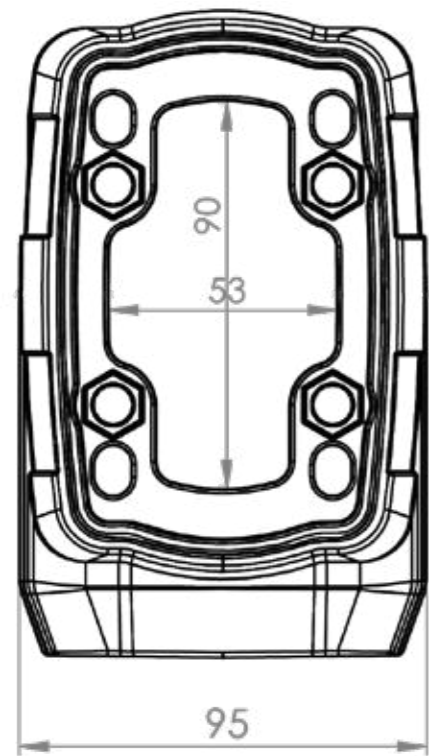


90° Angel Piece



TK120.420 – 90° Angle Coupling is a corner turn module which combines horizontal profiles with vertical profiles and has a fixed structure. This product can be used without any problem in the configurations consisting heavy load panels.

Weight (gr)	Color RAL No	Package	Package Dimension (mm)	Material	Movement
1650	RAL 7035 (Cover RAL 7016)	1	170x100x160	Aluminum	Fixed

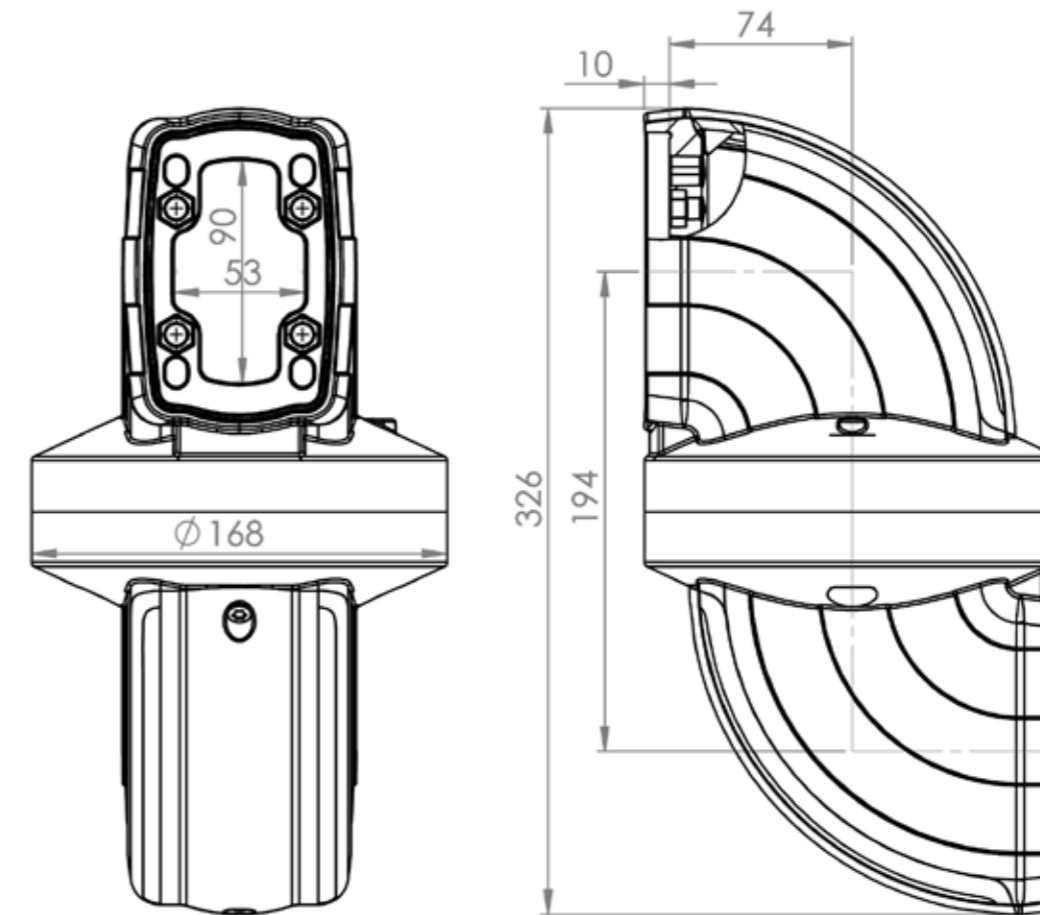


Rotatable Intermediate Hinge



TK120.500 Intermediate hinge, the interconnection module allows to move at a semi-independent angle (315°) from one to the other using the two horizontal operator arms at the intersection points. With its rigid structure TK120.500 is extremely convenient for heavy duty configurations

Weight (gr)	Color RAL No	Package	Package Dimension (mm)	Material	Movement
5630	RAL 7035 / (Cover RAL 7016)	1	355x180x175	Aluminum	Rotatable 315°

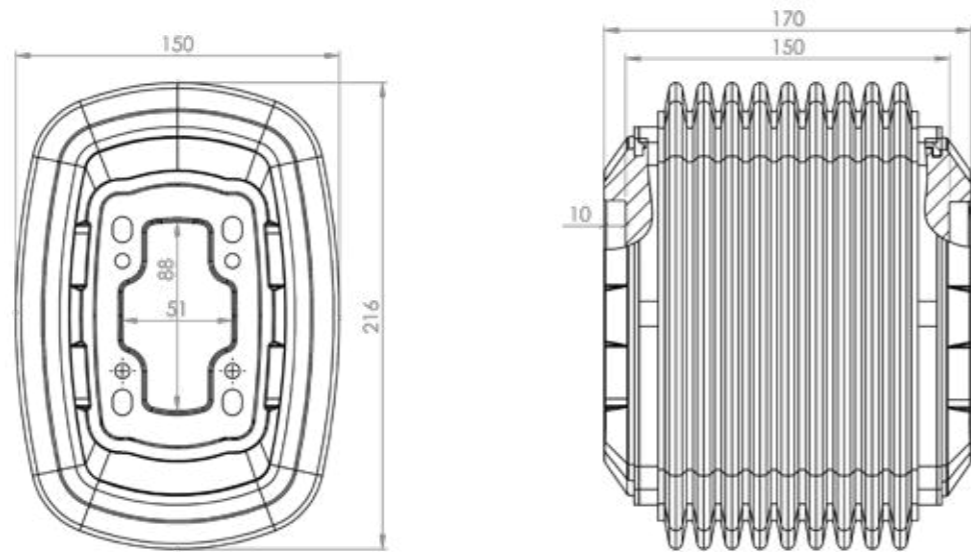


Steel Interconnection Module With Bellow



TK120.505 The interconnection module allows to move 90° to the right and 90° to the left using the intersection of two support arms located on the horizontal axis. This product, which is also named as hinge, provides a safe assembly of long and heavy arm configurations thanks to its steel casting body.

Weight (gr)	Color RAL No	Package	Package Dimension (mm)	Material	Movement
6200	RAL 7035 / (Bellow RAL 7016)	1	245x180x160	Steel Casting	Right 90°/Left 90°

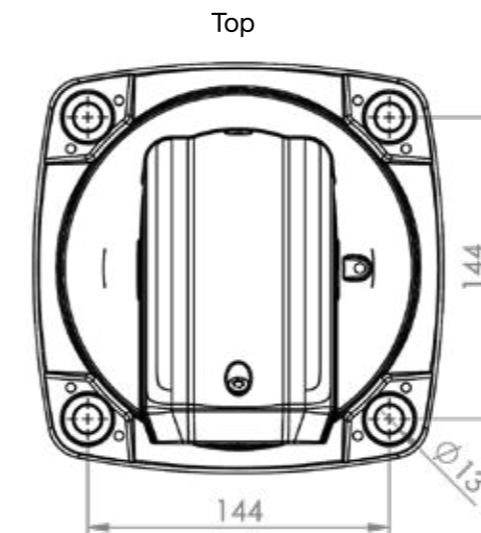
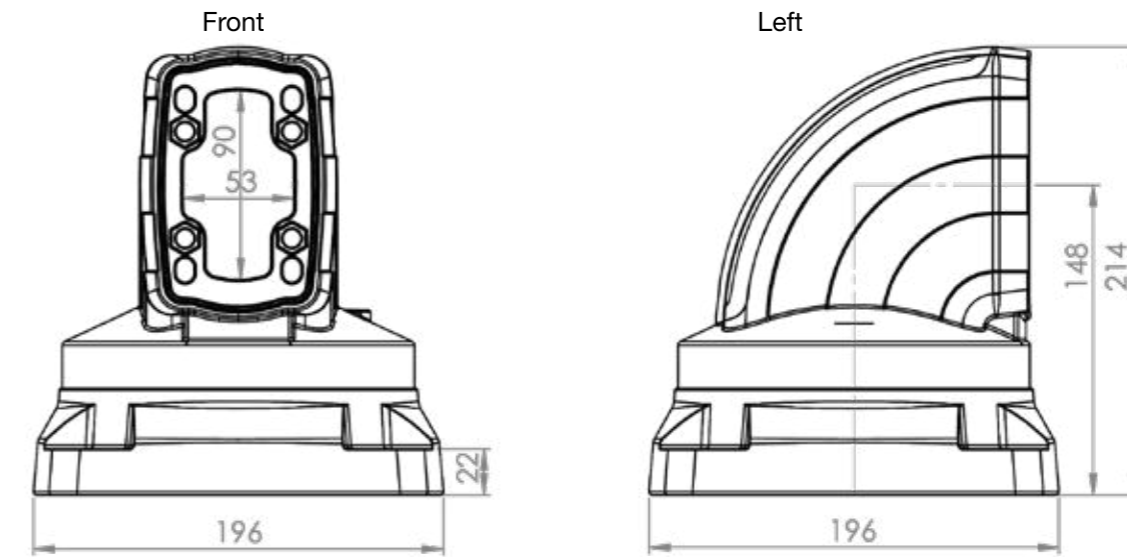


Rotatable Top Mounted 90° Angle Joint

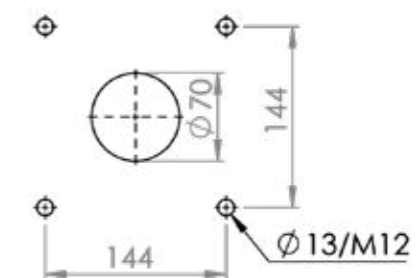


TK120.600 Rotatable Top Mounted 90° Angle Joint is designed for situations where the connection point is high (machine top point, etc.), the modul is allowing the support arm to move horizontally. This module is specially designed for heavy duty configurations, it is rotatable 315°.

Weight (gr)	Color RAL No	Package	Package Dimension (mm)	Material	Movement
5860	RAL 7035 / (Cover RAL 7016)	1	210x240x220	Aluminum	Rotatable 315°



Mounting Cut-Out

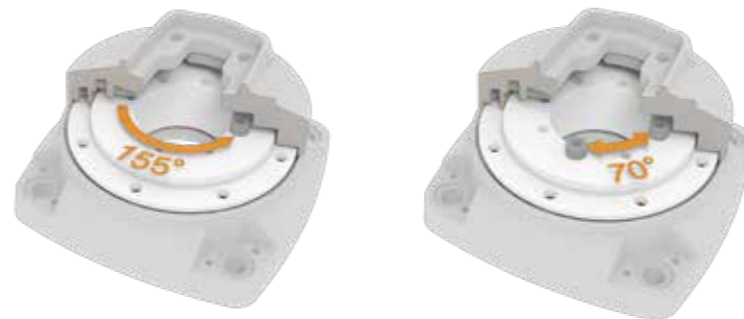
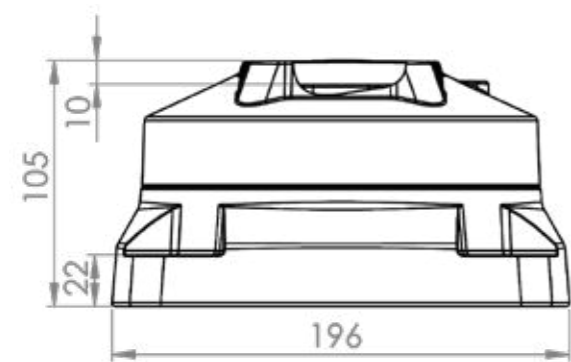


Rotatable Top Mounted Vertical Outlet

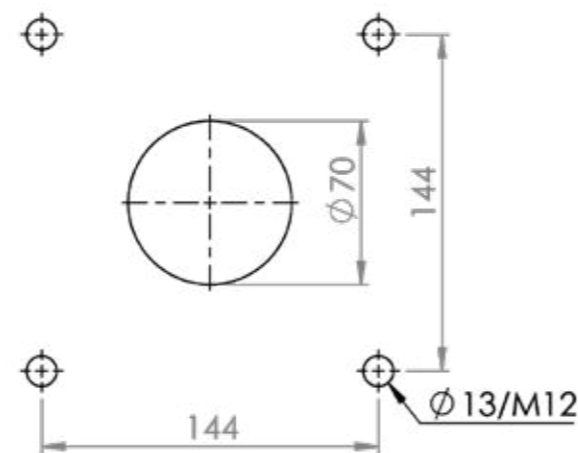
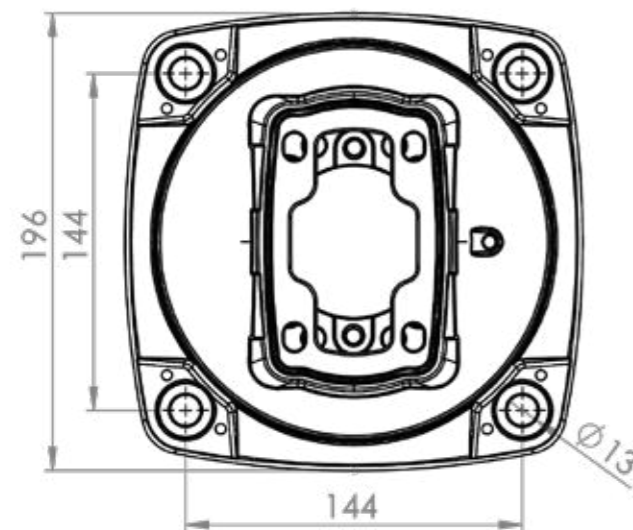


TK120.610 Rotatable top mounted vertical outlet allows the support arm to be placed vertically. This module is specially designed for heavy duty configurations and rotatable 315°. This module can be used as a fixed kiosk by mounting on the floor.

Weight (gr)	Color RAL No	Package	Package Dimension (mm)	Material	Movement
4780	RAL 7035 / (Cover RAL 7016)	1	220x125x205	Aluminum	Rotatable 315°



Mounting Cut-Out

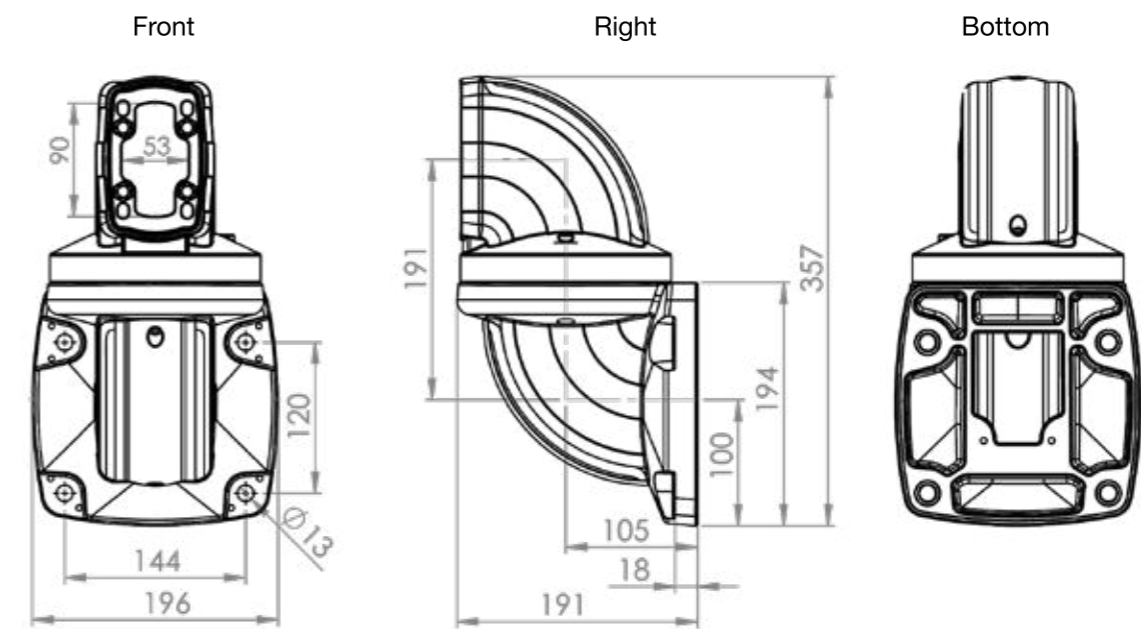


Rotatable Wall Mounted Hinge Horizontal Outlet

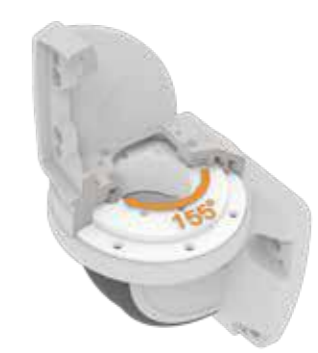
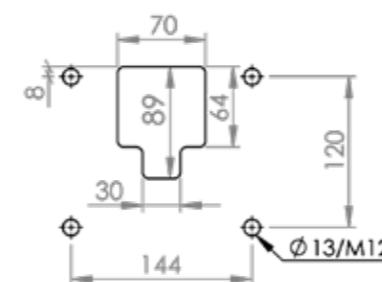


TK120.700 Rotatable wall mounted hinge horizontal outlet is designed for situations where the connection to the floor is impossible and where it is desirable to have a high connection point on a wall or machine. It is allowing the support arm to be placed horizontally. This module is specially designed for heavy duty configurations and it is rotatable 315°.

Weight (gr)	Color RAL No	Package	Package Dimension (mm)	Material	Movement
6500	RAL 7035 / (Cover RAL 7016)	1	390x200x210	Aluminum	Rotatable 315°



Mounting Cut-Out

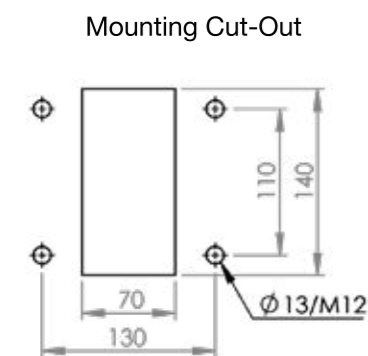
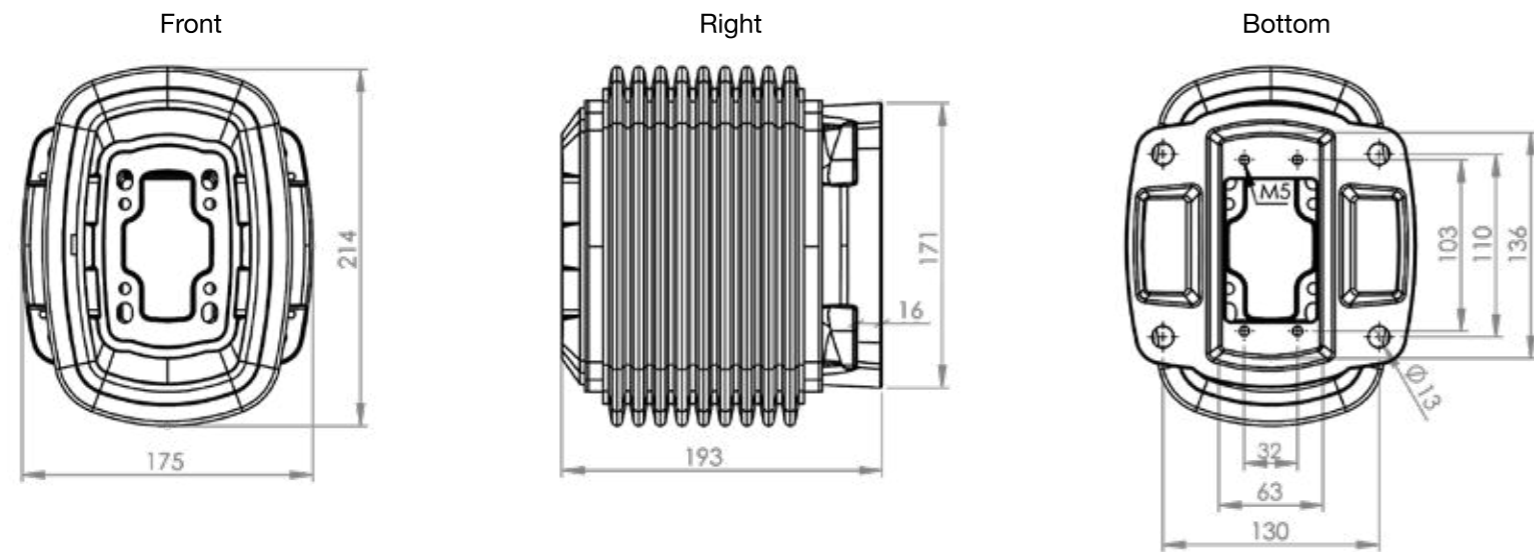


Steel Wall Mounted Module With Bellow



TK120.705 The steel wall mounted module, allows to fix the support arms positioned on the horizontal axis to surfaces such as vertical planes or walls. Thanks to its steel cast body, it provides safe mounting of long and heavy arm configurations, and thanks to its bellow structure, it has the ability to move 90° to the right and 90° to the left.

Weight (gr)	Color RAL No	Package	Package Dimension (mm)	Material	Movement
9500	RAL 7035 / (Bellow RAL 7016)	1	250x220x190	Steel Casting	Right 90° Left 90°

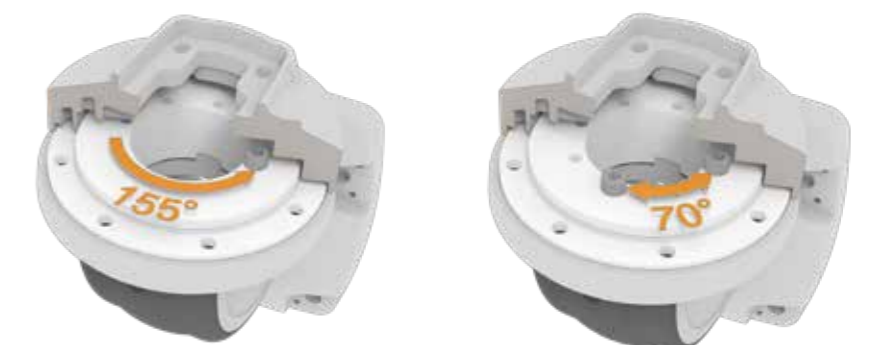
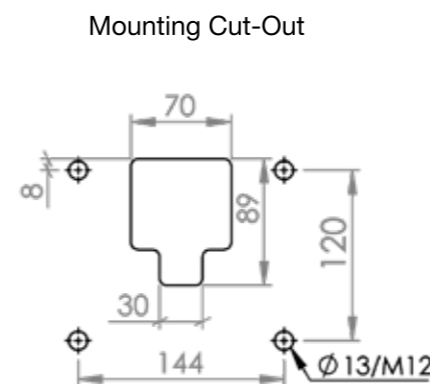
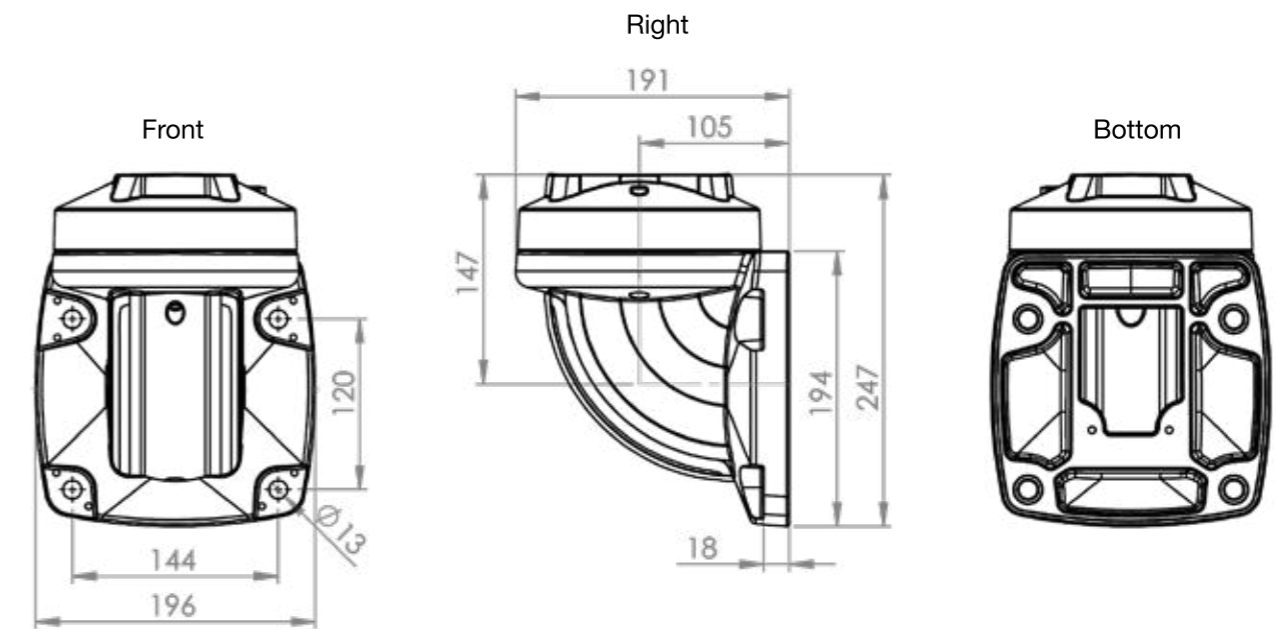


Rotatable Wall Mounted Hinge Vertical Outlet



TK120.710 Rotatable wall mounted hinge vertical outlet is designed for situations where the connection to the ground is impossible and the connection point is desired to be in a wall or machine. It is allowing the support arm placed vertically. This module is specially designed for heavy duty configurations and rotatable 315°.

Weight (gr)	Color RAL No	Package	Package Dimension (mm)	Material	Movement
5730	RAL 7035 / (Cover RAL 7016)	1	280x200x2010	Aluminum	Rotatable 315°

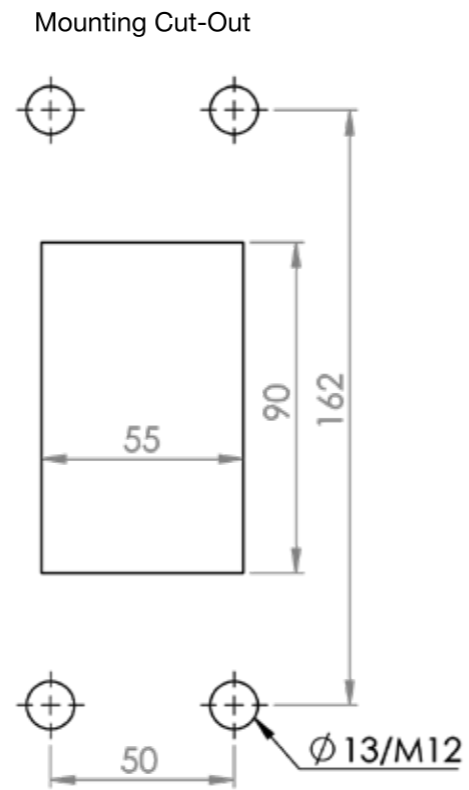
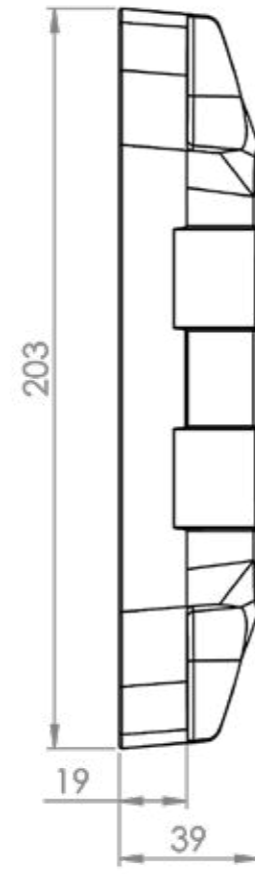
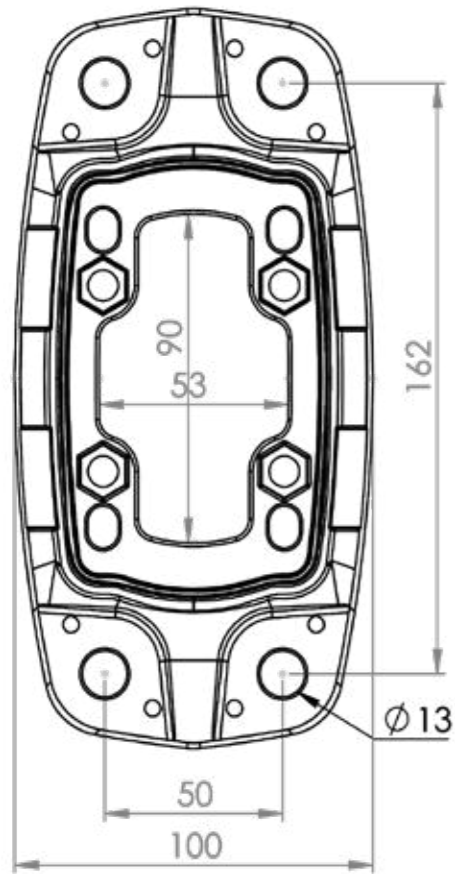


Wall/Socket Mounting Bracket



TK120.800 can be easily connected to vertical and horizontal surfaces. Designed specifically for heavy-duty configurations, it is designed for fixed connections.

Weight (gr)	Color RAL No	Package	Package Dimension (mm)	Material	Movement
816	RAL 7035 / (Cover RAL 7016)	1	220x50x110	Aluminum	Fixed

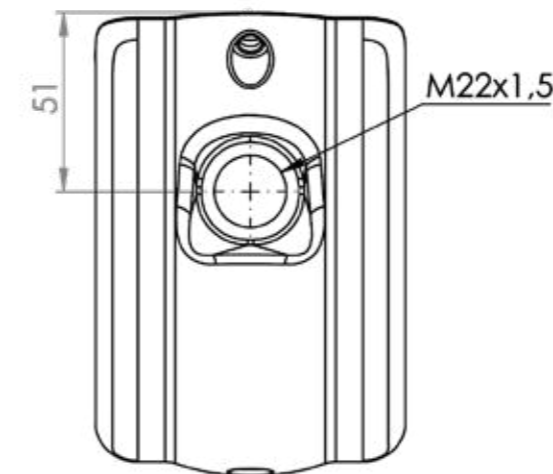
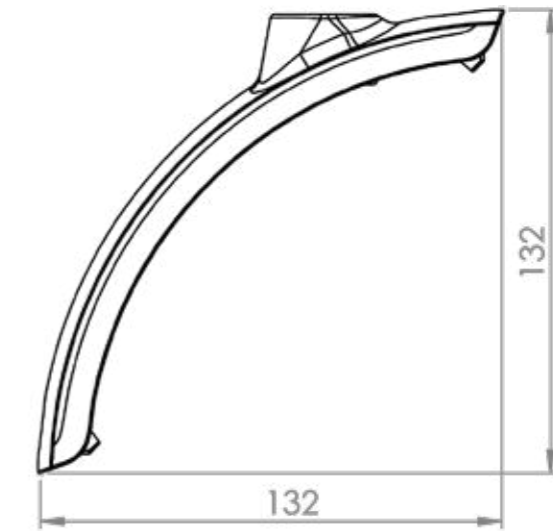
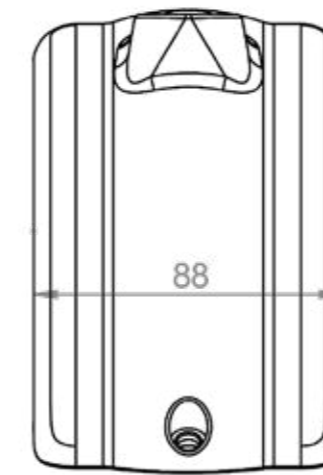


Warning Lamp Cover (M22)



TK120.810 Warning lamp cover is an auxiliary product which is completed with corner turn module like "TK 120.420". The main goal of the product is enable to mount warning lamps on the configurations. Assembly holes of the product is M22 x 1,5 mm.

Weight (gr)	Color RAL No	Package	Package Dimension (mm)	Material	Movement
290	RAL 7016	1	200x55x100	Aluminum	M22

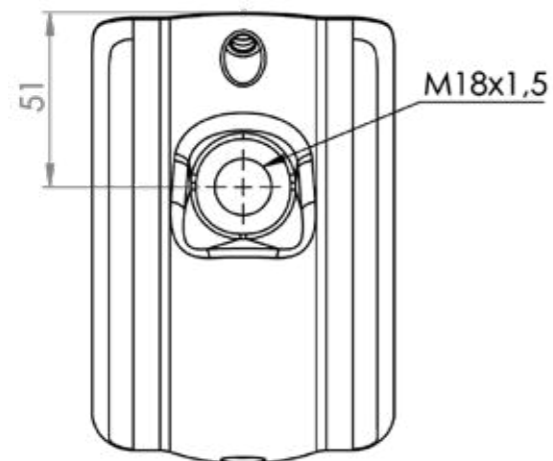
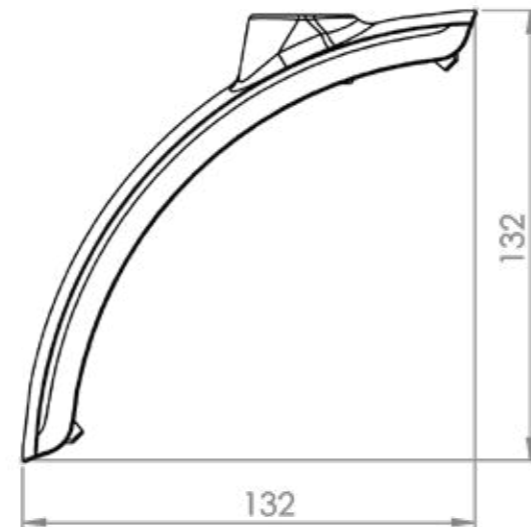
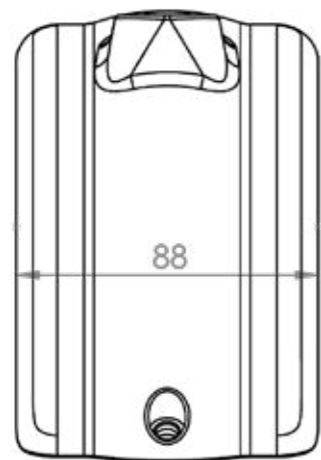


Warning Lamp Cover (M18)



TK120.811 Warning lamp cover is an auxiliary product which is completed with corner turn module like "TK120.420". The main goal of the product is enable to mount warning lambs on the configurations. Assembly holes of the product is M18 x 1,5 mm

Weight (gr)	Color RAL No	Package	Package Dimension (mm)	Material	Movement
290	RAL 7016	1	200x55x100	Aluminum	M18

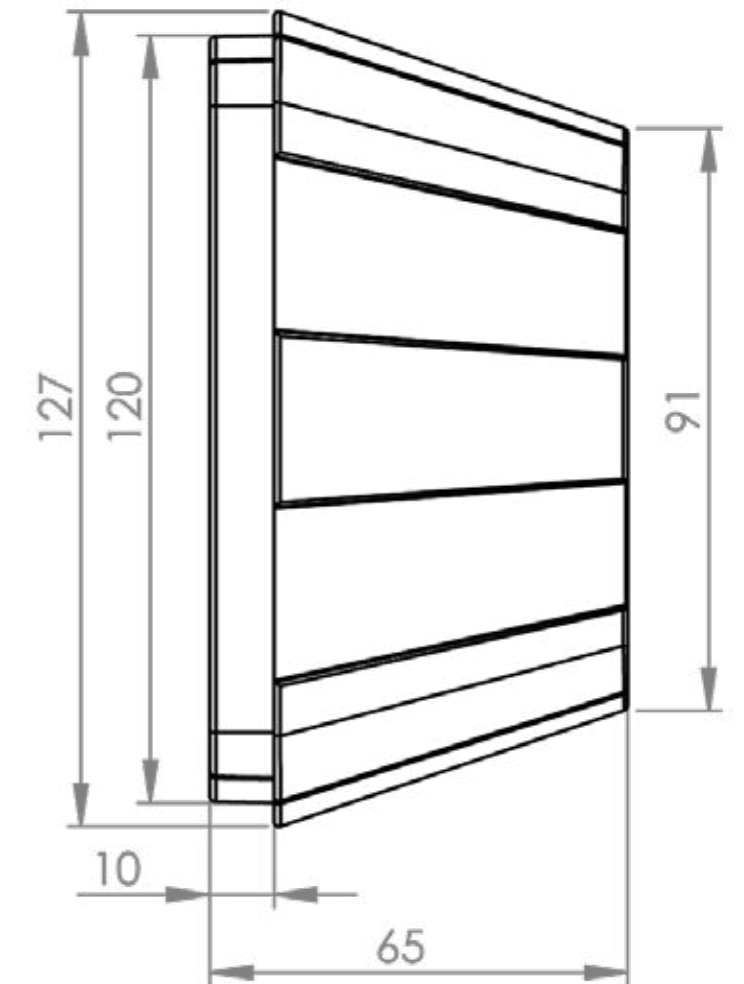
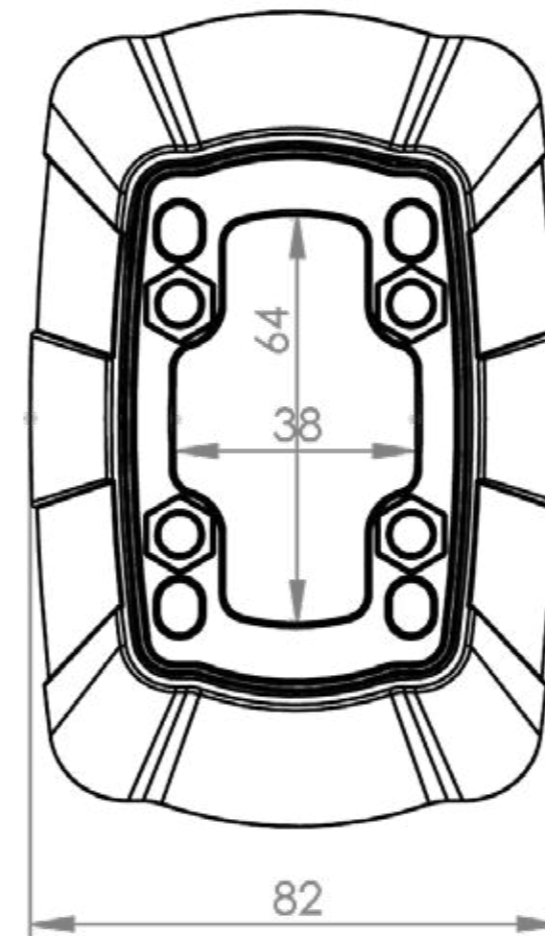


120/060 Support Arm Adaptor



TK120.820 120/060 Support arm adaptor provides coupling for TK120 series profile and TK060 profiles. It is designed for configurations which have heavy load. Combinations that used this product prevent shaking and sagging due to weight. It can be used horizontally or vertically.

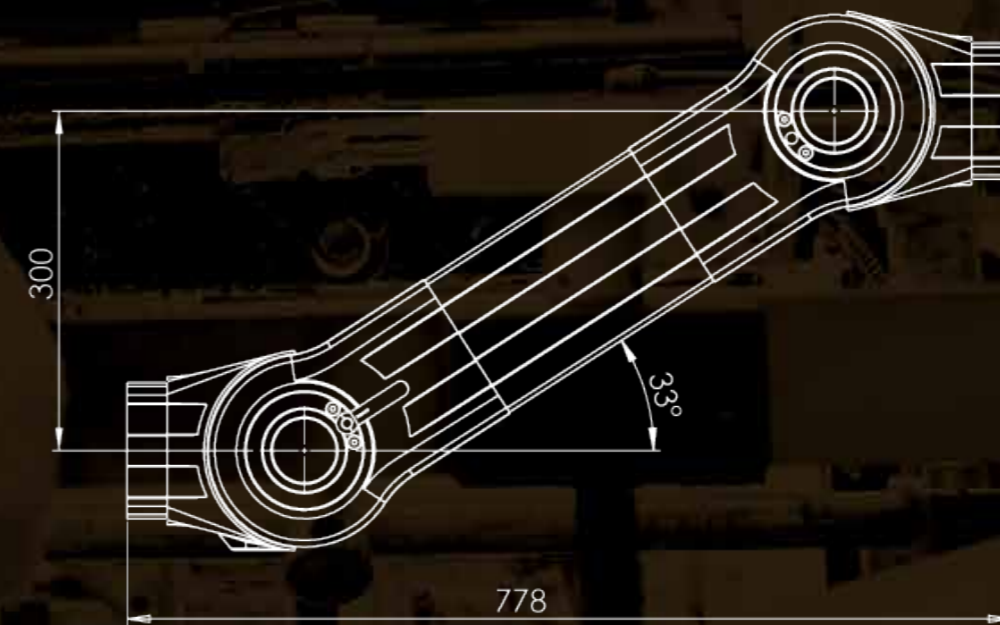
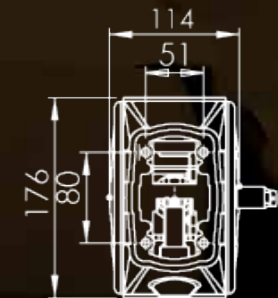
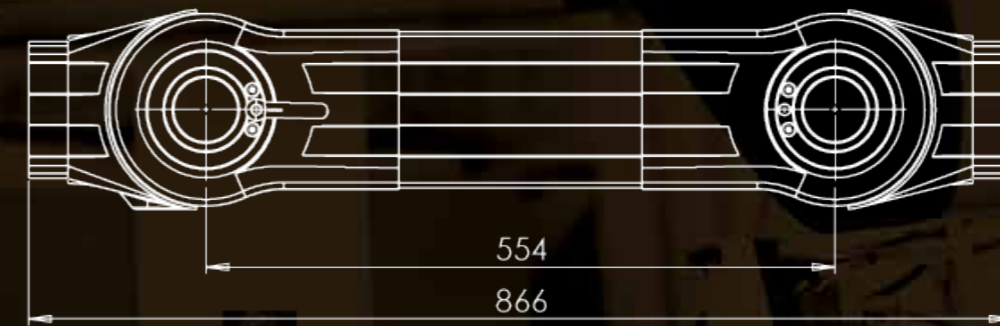
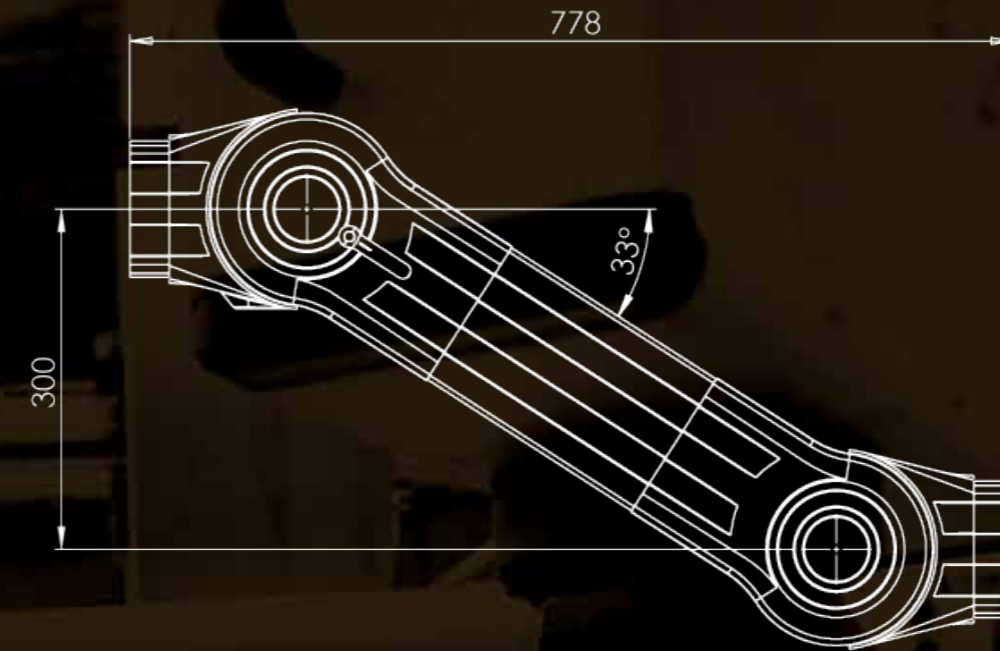
Weight (gr)	Color RAL No	Package	Package Dimension (mm)	Material	Movement
500	RAL 7035	1	140x70x90	Aluminum	Fixed



Height-Adjustable Support Arm Systems



TK120.900 Height adjustable arm systems that allow operators in variable lengths to position heavy-duty panels, monitors etc up or down according to their ergonomic usage alignment. Thanks to its durable body, it has a load carrying value of 10-60 kg. In the horizontal axis, it offers usage heights of 300 mm in the upward direction and 300 mm in the down direction. Body color is RAL 7035, plastic group is RAL 7016.

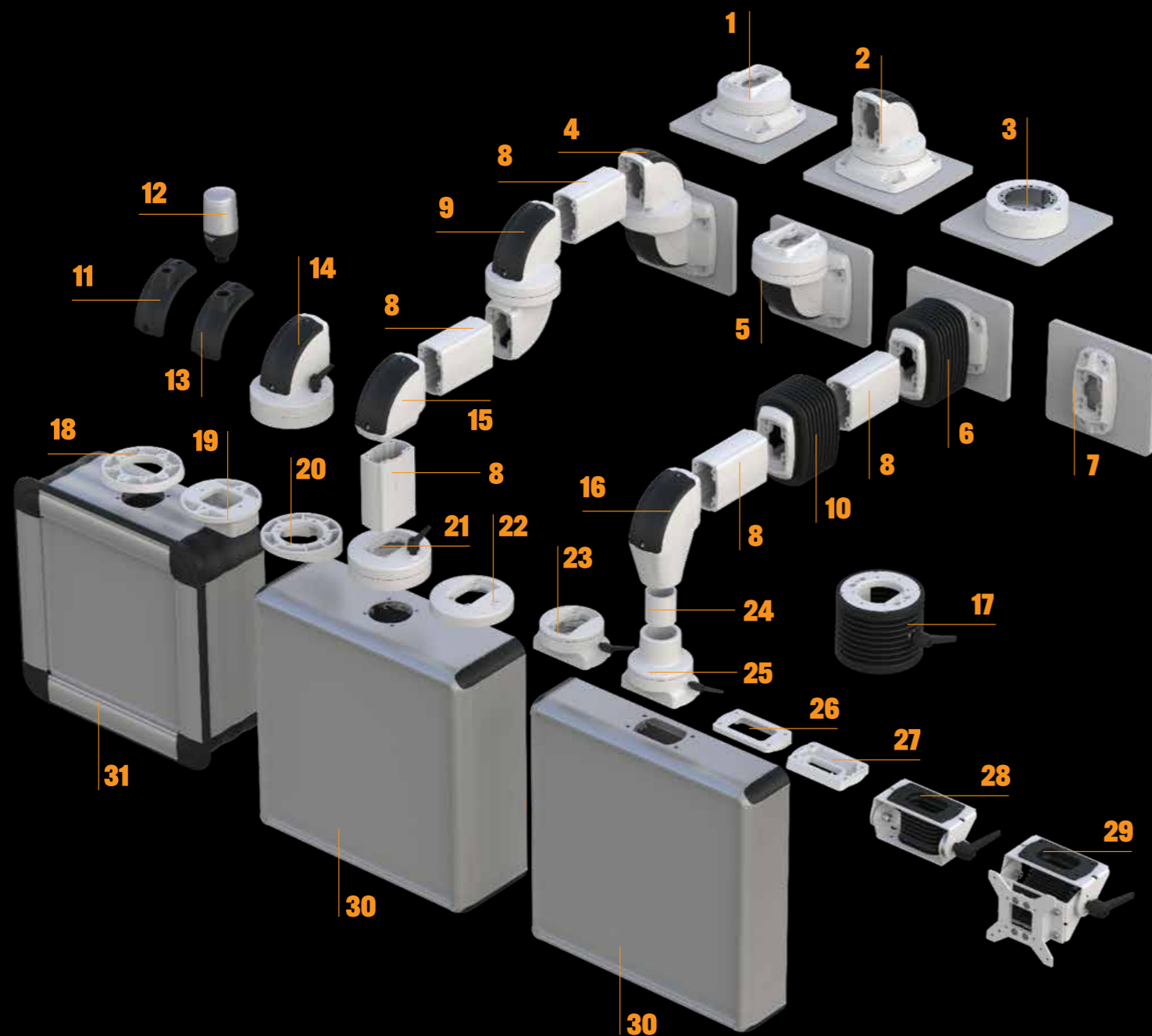


Weight (gr)	Color RAL No	Package	Package Dimension (mm)	Material	Movement
13500	RAL 7035 / (Cover RAL 7016)	1	920 X 220 175	Aluminum	+33° / -33°



TK060

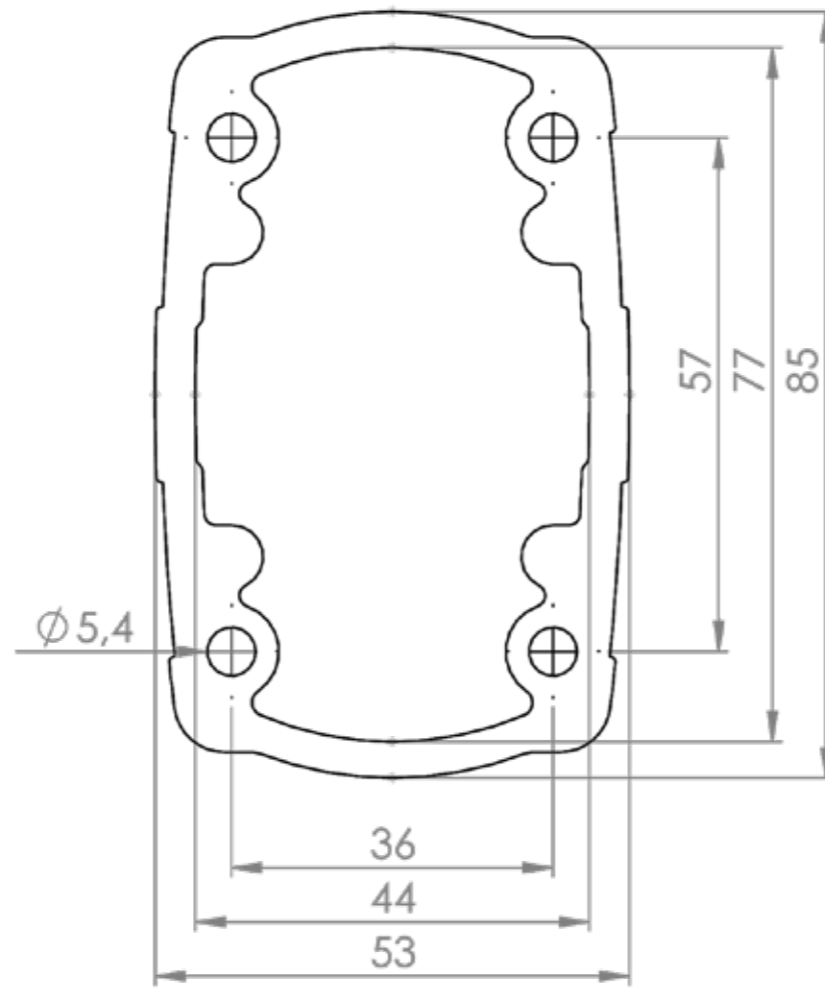
Series ▶



- | | | |
|-----------|----------------------|--|
| 1 | TK060.610 | Rotatable Top Mounted Vertical Outlet |
| 2 | TK060.600 | Rotatable Top Mounted 90° Angle Joint |
| 3 | TK060.321 | Rotatable Panel Coupling |
| 4 | TK060.700 | Rotatable Wall-Mounted Hinge Horizontal Outlet |
| 5 | TK060.710 | Rotatable Wall-Mounted Hinge Vertical Outlet |
| 6 | TK060.705 | Steel Wall Mounted Module - With Bellow |
| 7 | TK060.800 | Wall / Socket Mounting Bracket |
| 8 | TK060 PROFILE | Support Profile |
| 9 | TK060.500 | Rotatable Intermediate Hinge |
| 10 | TK060.505 | Steel Interconnection Module - With Bellow |
| 11 | TK060.811 | Warning Lamp Cover (M22) |
| 12 | IKZ.01 | Warning Lamps |
| 13 | TK060.810 | Warning Lamp Cover (M18) |
| 14 | TK060.400 | Rotatable Panel 90° Angle Coupling |
| 15 | TK060.420 | 90° Angle Piece |
| 16 | TK060.825 | Ø60/Ø48 Adaptor |
| 17 | TK060.840 | Ø130 mm Tilting Bellow |
| 18 | TK060.315 | TKP2000 Panel Coupling |
| 19 | TK060.834 | Ø130 mm 10° Panel Adaptor |
| 20 | TK060.833 | Ø130 mm Panel Adaptor |
| 21 | TK060.320 | Ø130 mm Rotatable Panel Coupling |
| 22 | TK060.310 | Ø130 mm Panel Coupling |
| 23 | TK060.830 | Rotatable Panel Adaptor Vertical |
| 24 | TK060.827 | Ø48 mm Pipe Profile |
| 25 | TK060.826 | Ø48 mm Adaptor |
| 26 | TK060.831 | 10 ° Panel Adaptor |
| 27 | TK060.832 | ECO 060 Panel Adaptor |
| 28 | TK060.835 | Panel Tilting Adaptor Moving |
| 29 | TK060.836 | Vesa Tilting Adaptor Moving |
| 30 | ECO PANEL | |
| 31 | TKP2000 PANEL | |

Support Arm Profile

The TK060 series operator handles are designed to support control panels with middle weight and dimensions. Its durable structure makes it ideal for long distance arm applications. The external form has a modern line, and the harmony between the other modules it works with is perfect. Offering a modular solution with a modern design, the TK060 series offers various different configuration solutions with a wide range of series. 1 mt profile length has 60 kg load carrying capacity. Standart color is RAL 7035 and have sealing properties.



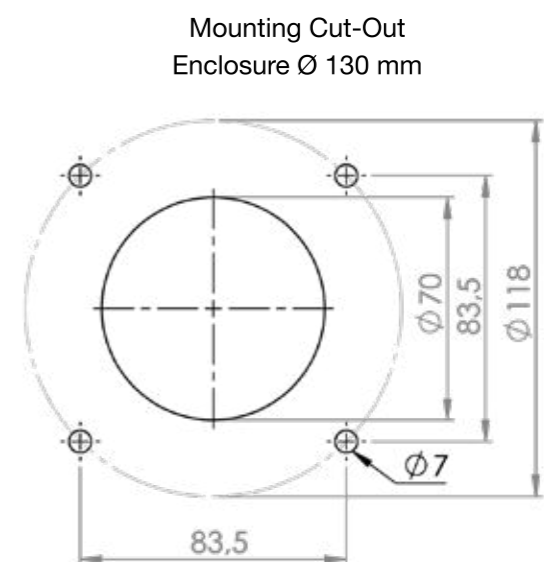
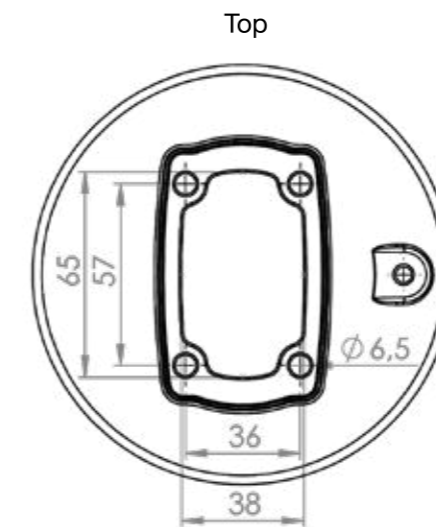
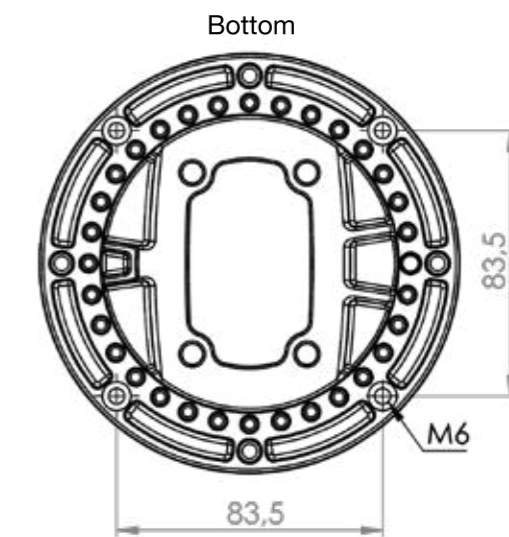
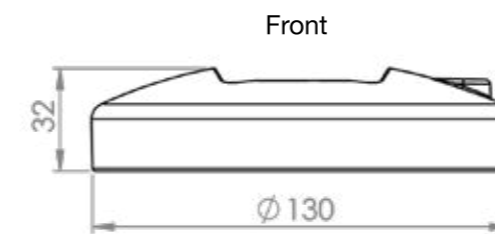
Model No	Description	Length mm	Weight gr	Ral Code	Package	Package Dimension	Material
TK060.025	060 Support Profile – 250 mm	250	1000	7035	1	55x90x260	Aluminum
TK060.050	060 Support Profile – 500 mm	500	2000	7035	1	55x90x510	Aluminum
TK060.075	060 Support Profile – 750 mm	750	3000	7035	1	55x90x760	Aluminum
TK060.100	060 Support Profile – 1000 mm	1000	4000	7035	1	55x90x1010	Aluminum
TK060.125	060 Support Profile – 1250 mm	1250	5000	7035	1	55x90x1260	Aluminum
TK060.150	060 Support Profile – 1500 mm	1500	6000	7035	1	55x90x1510	Aluminum
TK060.175	060 Support Profile – 1750 mm	1750	7000	7035	1	55x90x1760	Aluminum
TK060.200	060 Support Profile – 2000 mm	2000	8000	7035	1	55x90x2010	Aluminum

Panel Coupling

TK060.310 Panel top mounted vertical outlet module provides the connection between operator panels and operator arms. The product's max. diameter is Ø 130 and it is a fixed product that does not have rotation feature. This product is designed for panel types with large depths (For example, for applications with ECO 1500 panel series or above.)



Weight (gr)	Color RAL No	Package	Package Dimension (mm)	Diameter (mm)	Material	Movement
440	RAL 7035	1	135x40x135	Ø130 mm	Aluminum	Fixed

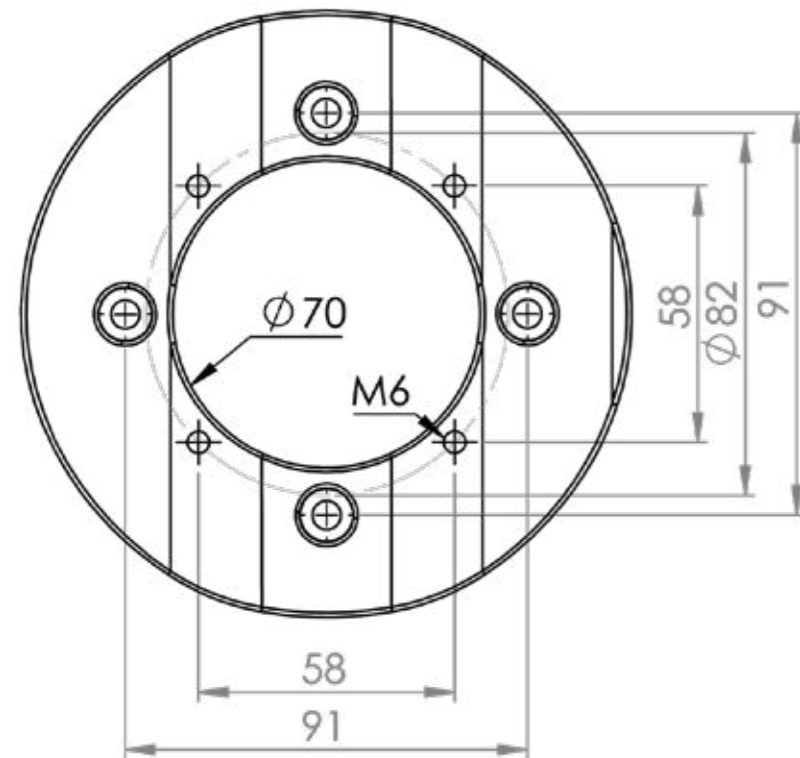
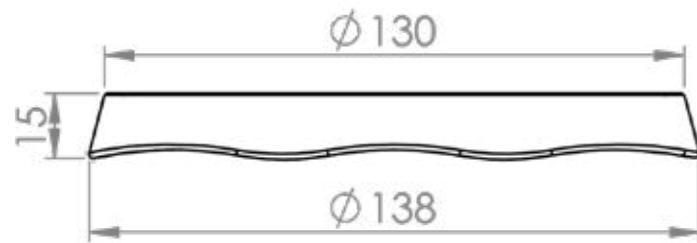


TKP2000 Panel Coupling

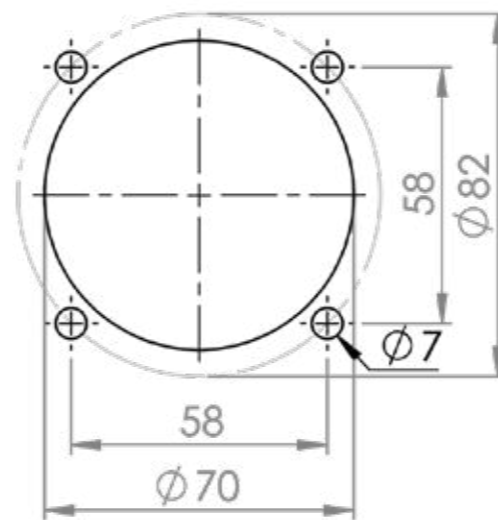


TK060.315 provides the connection between TKP2000 series operator panels and operator arms. The product's max. diameter is Ø 130 and it is a fixed product. This product is designed for TKP2000 series panels only.

Weight (gr)	Color RAL No	Package	Package Dimension (mm)	Diameter (mm)	Material	Movement
220	RAL 7035	1	145x25x145	Ø130 mm	Aluminum	Fixed



Mounting Cut-Out Enclosure Ø 130 mm

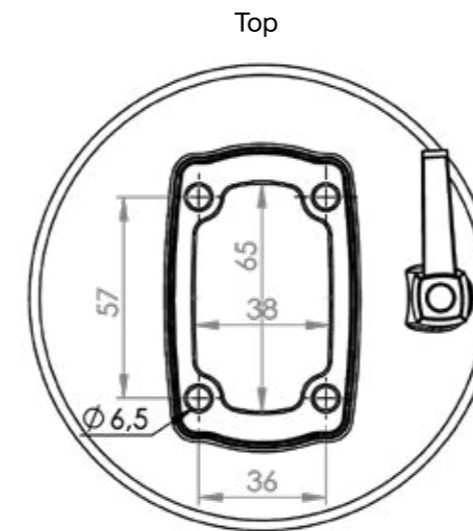
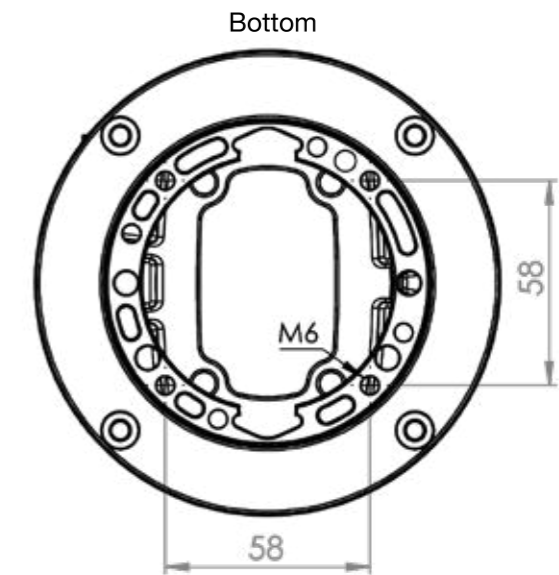
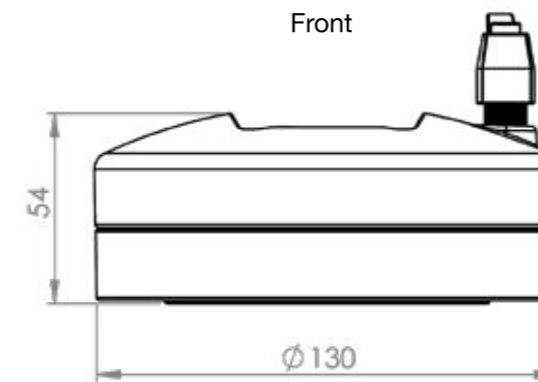


Rotatable Panel Coupling

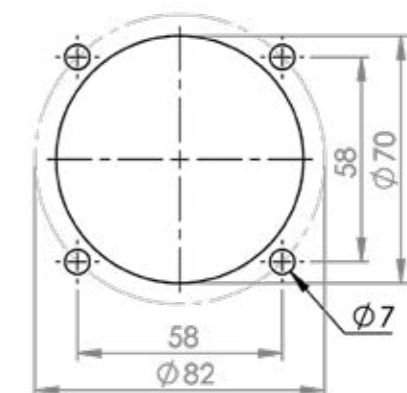


TK060.320 rotatable panel coupling provides the connection between operator arms with operator panels. Max. diameter of the product is Ø 130mm and the rotation angle around its axis is 310 ° in total. Thanks to the module's ability to turn around, the machine operator can make any position for himself with turning the direction of panel right or left. This product designed for the panels which have large depth. (For example ECO 1500 series or deeper)

Weight (gr)	Color RAL No	Package	Package Dimension (mm)	Diameter (mm)	Material	Movement
1240	RAL 7035	1	150x65x140	Ø130 mm	Aluminum	Rotatable 310°



Mounting Cut-Out Enclosure Ø 130 mm

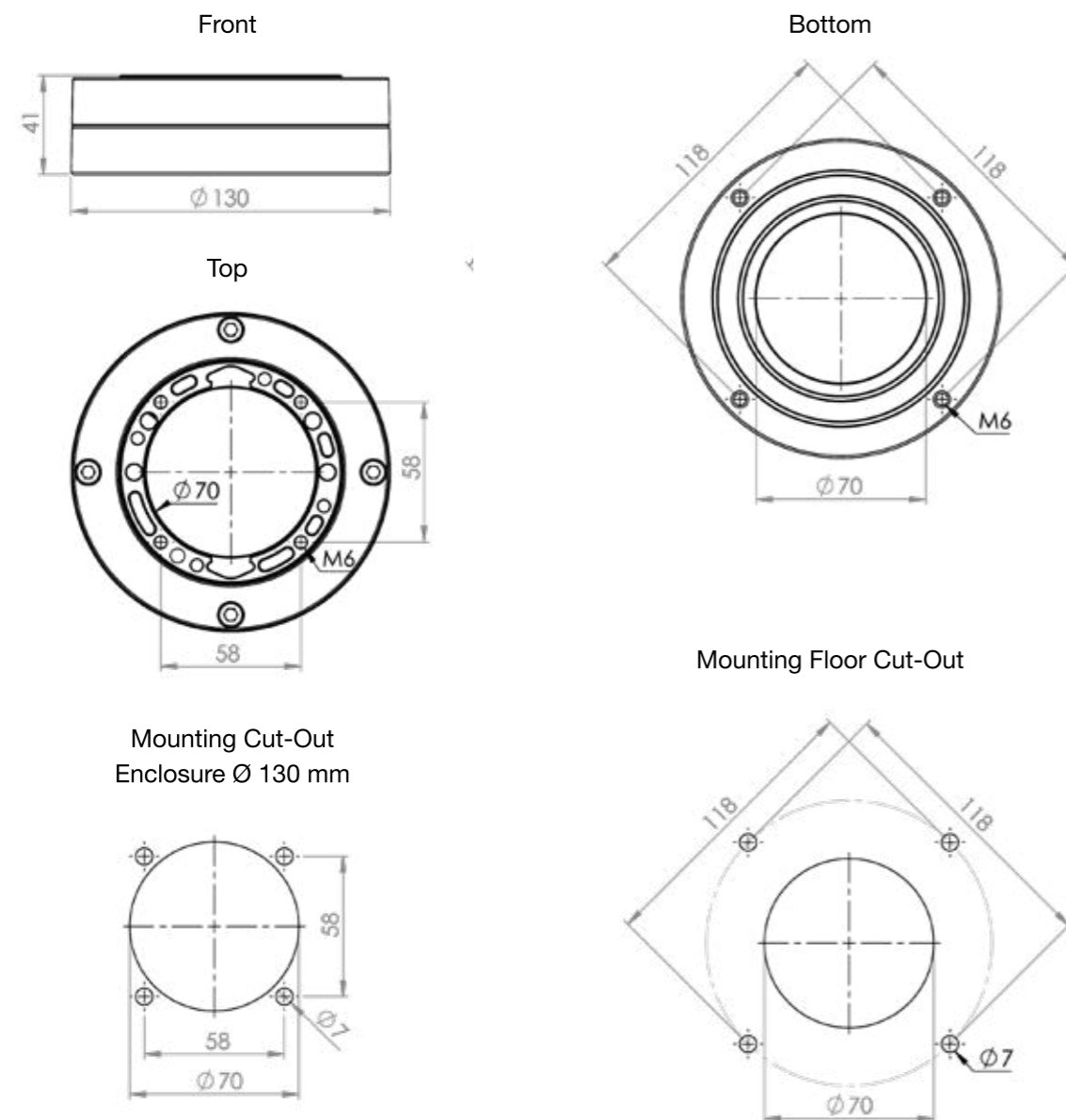


Rotatable Panel Coupling

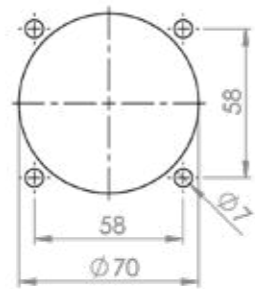


TK060.321 rotatable panel coupling is designed for surface that do not require operator arms. Max. diameter of the product is Ø 130mm and the rotation angle around its axis is 310 ° in total. Thanks to the module's ability to turn around, the machine operator can make any position for himself with turning the direction of panel right and left. This product is designed for the panels which have large depth (For example ECO 1500 series or deeper) .From the connection points on the bottom surface of the module (ground, machine construction etc.), product should be fixed on a flat. The operator panel comes to the top surface. Before installing this product, care must be taken to ensure that the surface is not below or above the user's point of view.

Weight (gr)	Color RAL No	Package	Package Dimension (mm)	Diameter (mm)	Material	Movement
1050	RAL 7035	1	150x65x140	Ø130 mm	Aluminum	Rotatable 310°



Mounting Cut-Out Enclosure Ø 130 mm

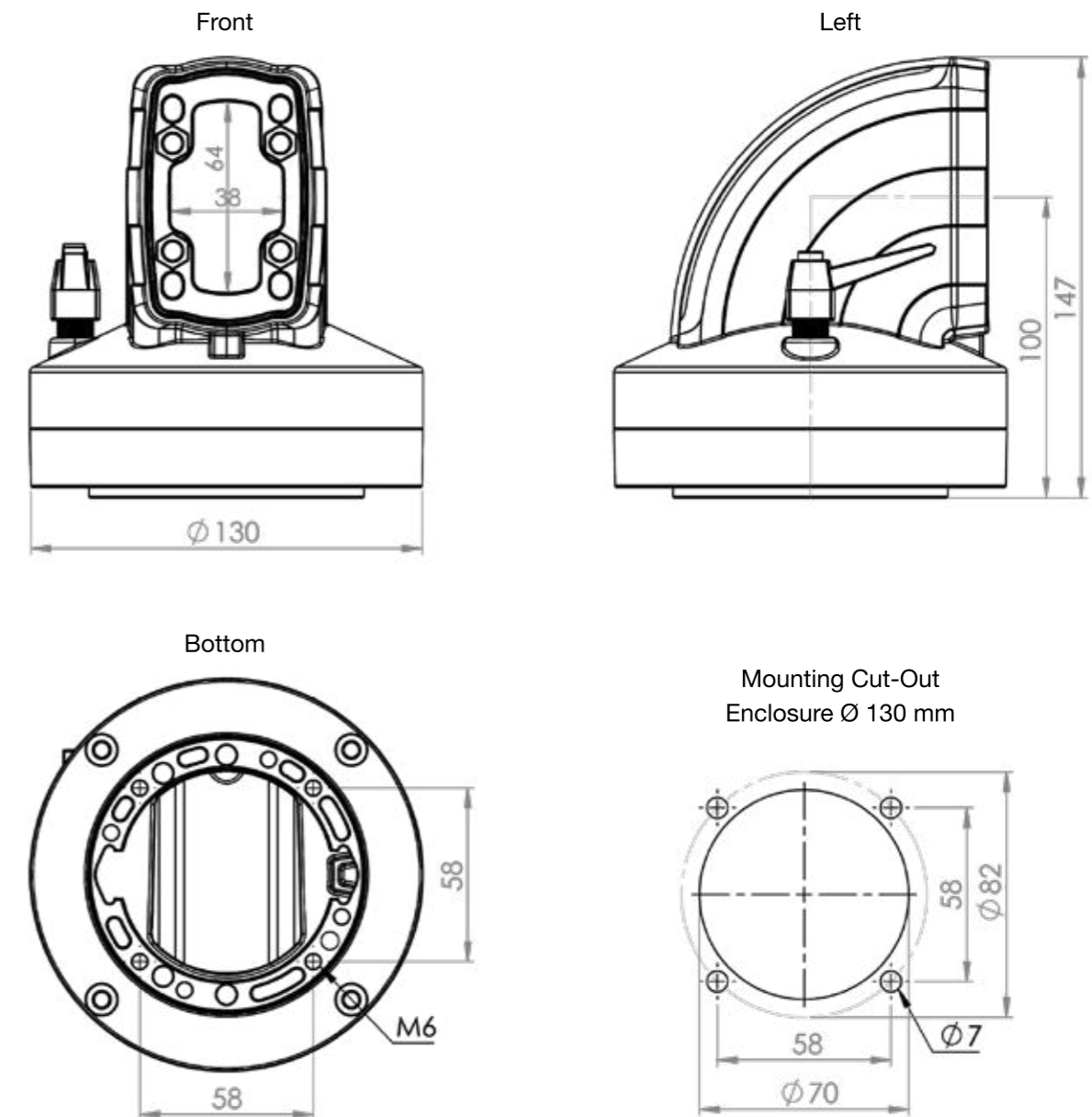


Rotatable Panel 90° Angle Coupling



TK060.400 Rotatable 90° Angle Panel Coupling is designed for combination which operator panels are needed immediately after a 90 ° angle corner turn. Max. diameter of the product is Ø 130mm and the rotation angle around its axis is 310 ° in total. Thanks to the module's ability to turn around, the machine operator can make any position for himself with turning the direction of panel right and left. This product is designed for the panels which have large depth. (For example ECO 1500 series or deeper)

Weight (gr)	Color RAL No	Package	Package Dimension (mm)	Diameter (mm)	Material	Movement
1780	RAL 7035 / (Cover RAL 7016)	1	150x160x140	Ø130 mm	Aluminum	Rotatable 310°



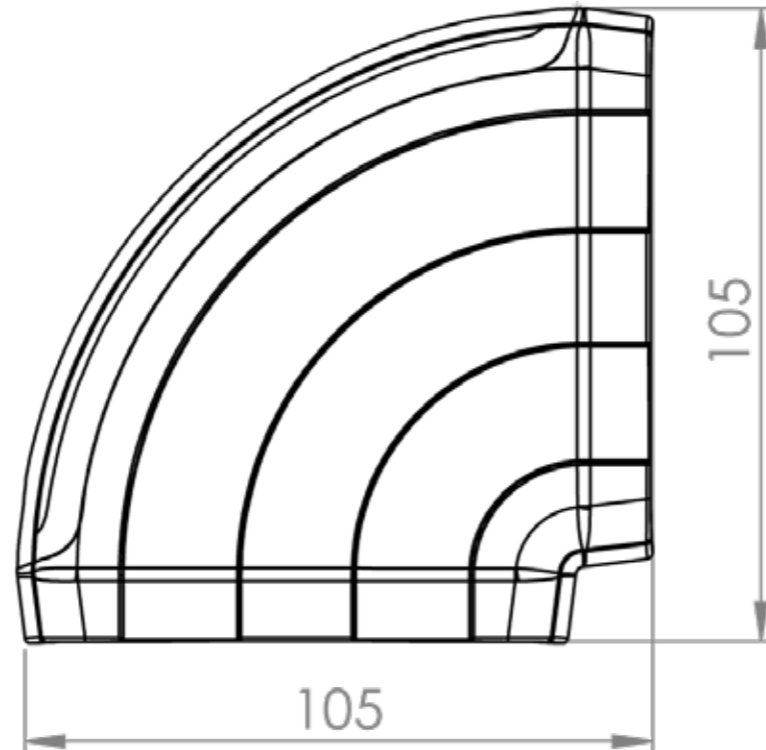
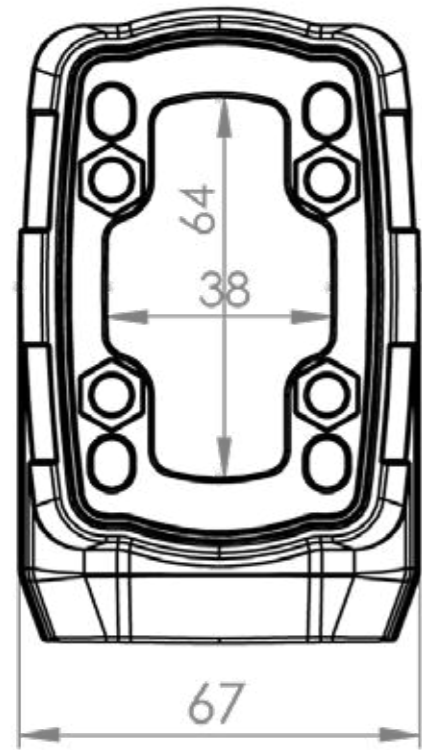
Mounting Cut-Out Enclosure Ø 130 mm

90° Angel Piece



TK060.420 – 90° Angle Coupling is a corner turn module which combines horizontal profiles with vertical profiles and has a fixed structure. This product can be used without any problem in the configurations consisting middle load panels.

Weight (gr)	Color RAL No	Package	Package Dimension (mm)	Material	Movement
640	RAL 7035 / (Cover RAL 7016)	1	125x75x115	Aluminum	Fixed

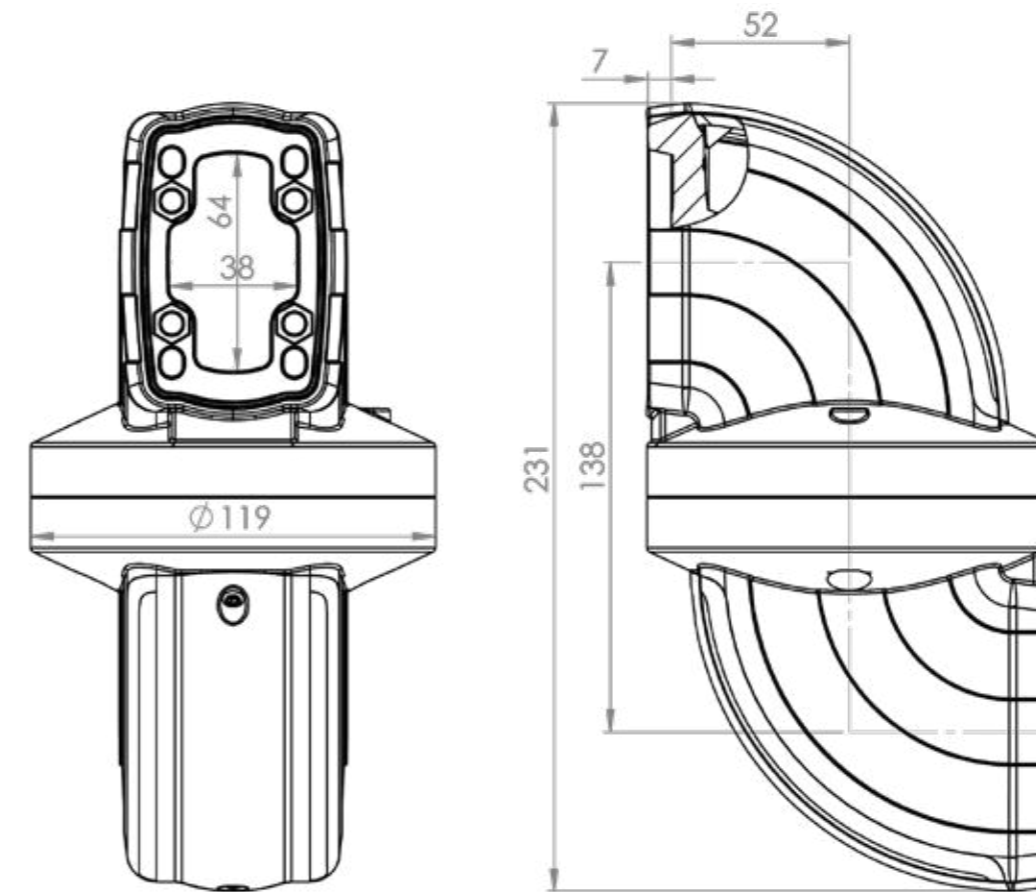


Rotatable Intermediate Hinge



TK060.500 Intermediate hinge, the interconnection module allows to move at a semi-independent angle (315 °) from one to the other using the two horizontal operator arms at the intersection points. With its rigid structure TK060.500 is extremely convenient for medium load configurations

Weight (gr)	Color RAL No	Package	Package Dimension (mm)	Material	Movement
2060	RAL 7035 / (Cover RAL 7016)	1	250x130x125	Aluminum	Rotatable 315°

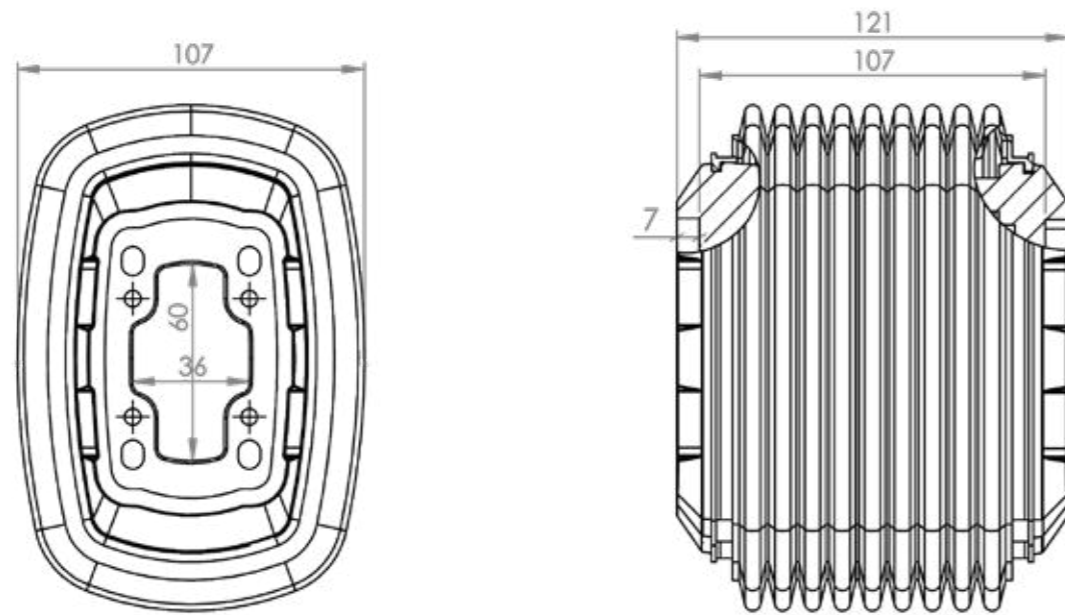


Steel Interconnection Module With Bellow



TK060.505 The interconnection module allows to move 90 ° to the right and 90 ° to the left using the intersection of two support arms located on the horizontal axis. This product, which is also named as hinge, provides safe assembly of arm configurations at medium length and weight load thanks to the steel casting body.

Weight (gr)	Color RAL No	Package	Package Dimension (mm)	Material	Movement
2200	RAL 7035 / (Bellow RAL 7016)	1	180x140x120	Steel Casting	Right 90° Left 90°

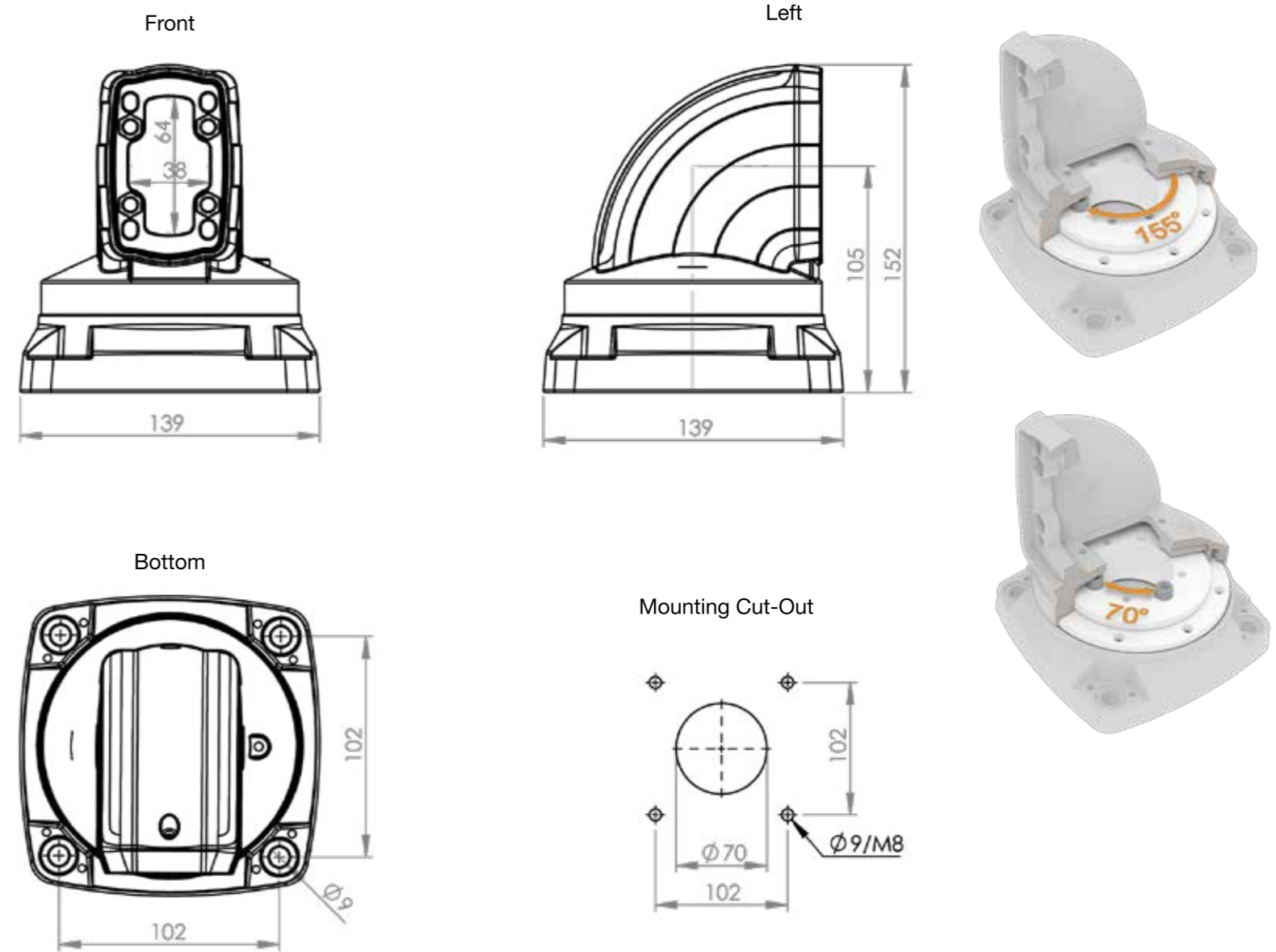


Rotatable Top Mounted 90° Angle Joint



TK060.600 Rotatable Top Mounted 90° Angle Joint is designed for situations where the connection point is on top of machine etc and the module allows the support arm to be placed horizontally. , the modul is allowing the support arm to placed horizontally. This module is specially designed for medium load configurations, it is rotatable 315°

Weight (gr)	Color RAL No	Package	Package Dimension (mm)	Material	Movement
2590	RAL 7035 / (Cover RAL 7016)	1	160x170x150	Aluminum	Rotatable 315°

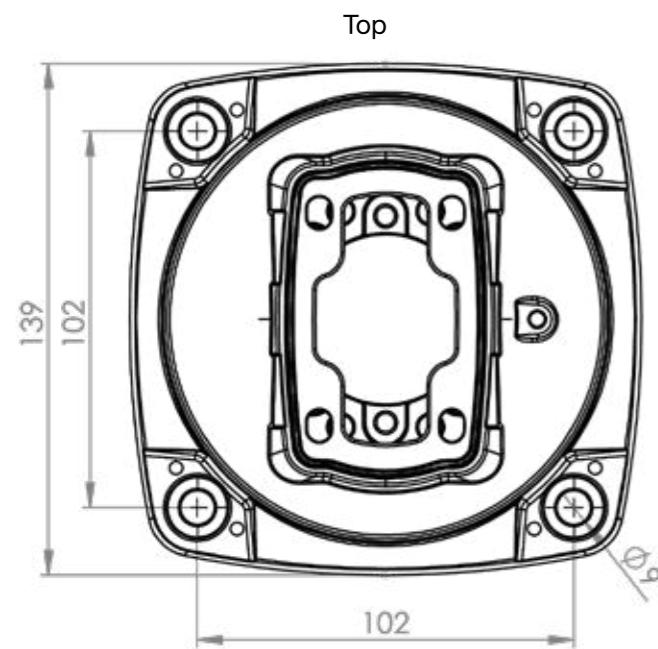
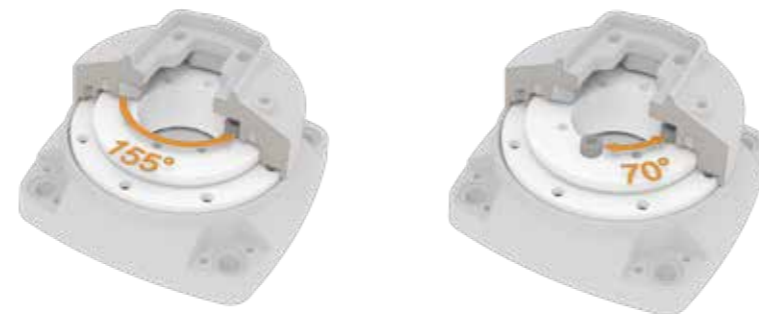
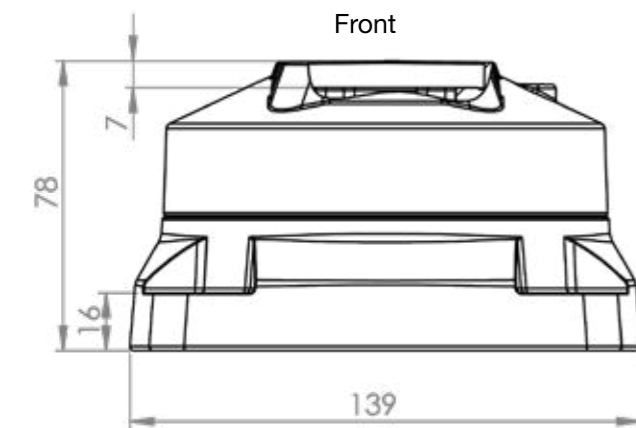


Rotatable Top Mounted Vertical Outlet

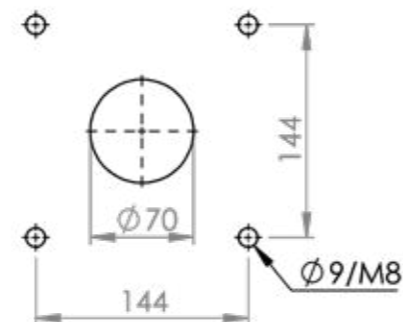


TK060.610 Rotatable top mounted vertical outlet allows the support arm to be placed vertically. This module is specially designed for medium load configurations and rotatable 315°. This module can be used as a fixed kiosk by mounting on the floor.

Weight (gr)	Color RAL No	Package	Package Dimension (mm)	Material	Movement
1950	RAL 7035 / (Cover RAL 7016)	1	155x90x140	Aluminum	Rotatable 315°



Mounting Cut-Out

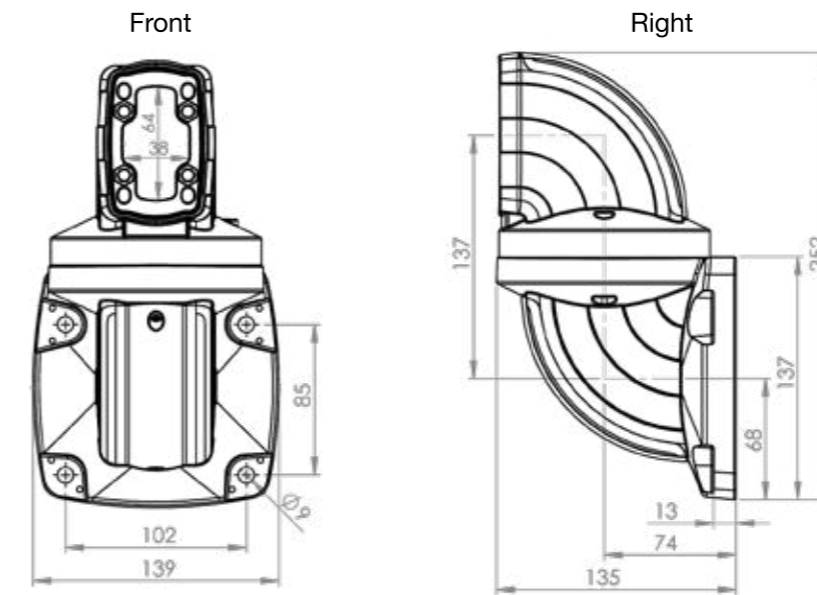


Rotatable Wall Mounted Hinge Horizontal Outlet



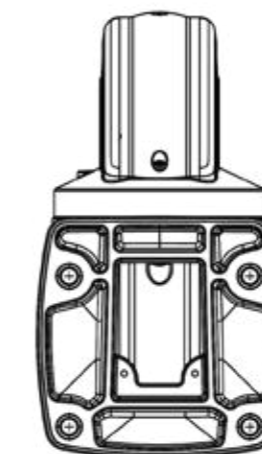
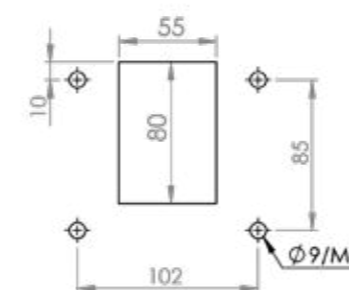
TK060.700 Rotatable wall mounted hinge horizontal outlet is designed for situations where the connection to the floor is impossible and where it is desirable to have a high connection point on a wall or machine. It is allowing the support arm to be placed horizontally. This module is specially designed for medium load configurations and it is rotatable 315°.

Weight (gr)	Color RAL No	Package	Package Dimension (mm)	Material	Movement
2550	RAL 7035 / (Cover RAL 7016)	1	275x145x150	Aluminum	Rotatable 315°



Bottom

Mounting Cut-Out

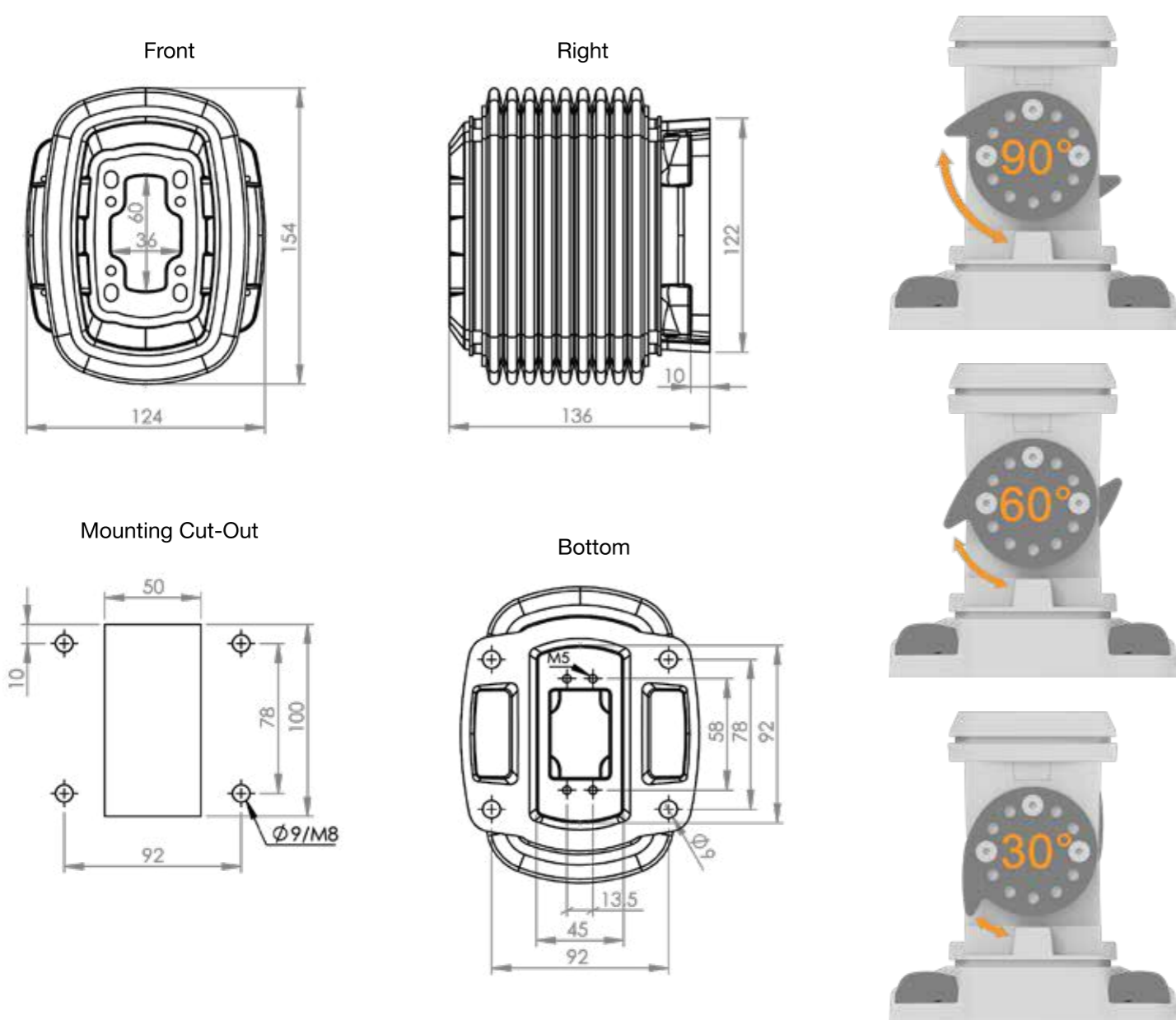


Steel Wall Mounted Module With Bellow



TK060.705 The steel wall mounted module, allows fixing the support arms positioned on the horizontal axis to surfaces such as vertical planes or walls. Thanks to its steel cast body, it provides safe assembly of arm configurations of medium length and weight load, and thanks to its bellows structure it has the ability to move 90° to the right and 90° to the left.

Weight (gr)	Color RAL No	Package	Package Dimension (mm)	Material	Movement
3330	RAL 7035 / (Bellow RAL 7016)	1	185x155x135	Steel Casting	Right 90° Left 90°

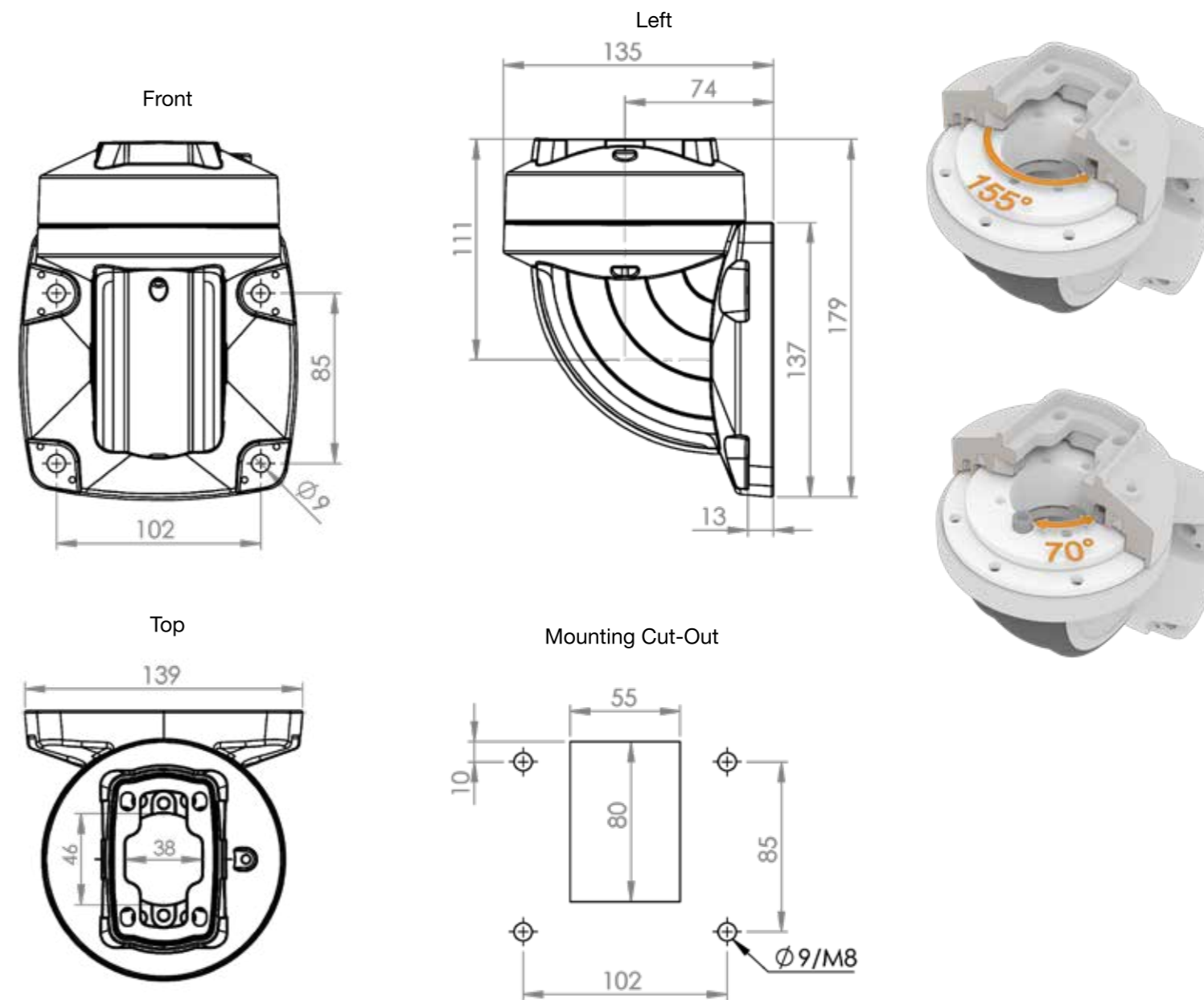


Rotatable Wall Mounted Hinge Vertical Outlet



TK060.710 Rotatable wall mounted hinge vertical outlet is designed for situations where the connection to the ground is impossible and the connection point is desired to be in a wall or machine. It is allowing the support arm placed vertically. This module is specially designed for medium load configurations and rotatable 315°.

Weight (gr)	Color RAL No	Package	Package Dimension (mm)	Material	Movement
2280	RAL 7035 / (Cover RAL 7016)	1	200x145x145	Aluminum	Rotatable 315°



Wall Socket Mounting Bracket



TK060.800 can be easily connected to vertical and horizontal surfaces. Designed specifically for medium weight configurations, it is created for fixed connections.

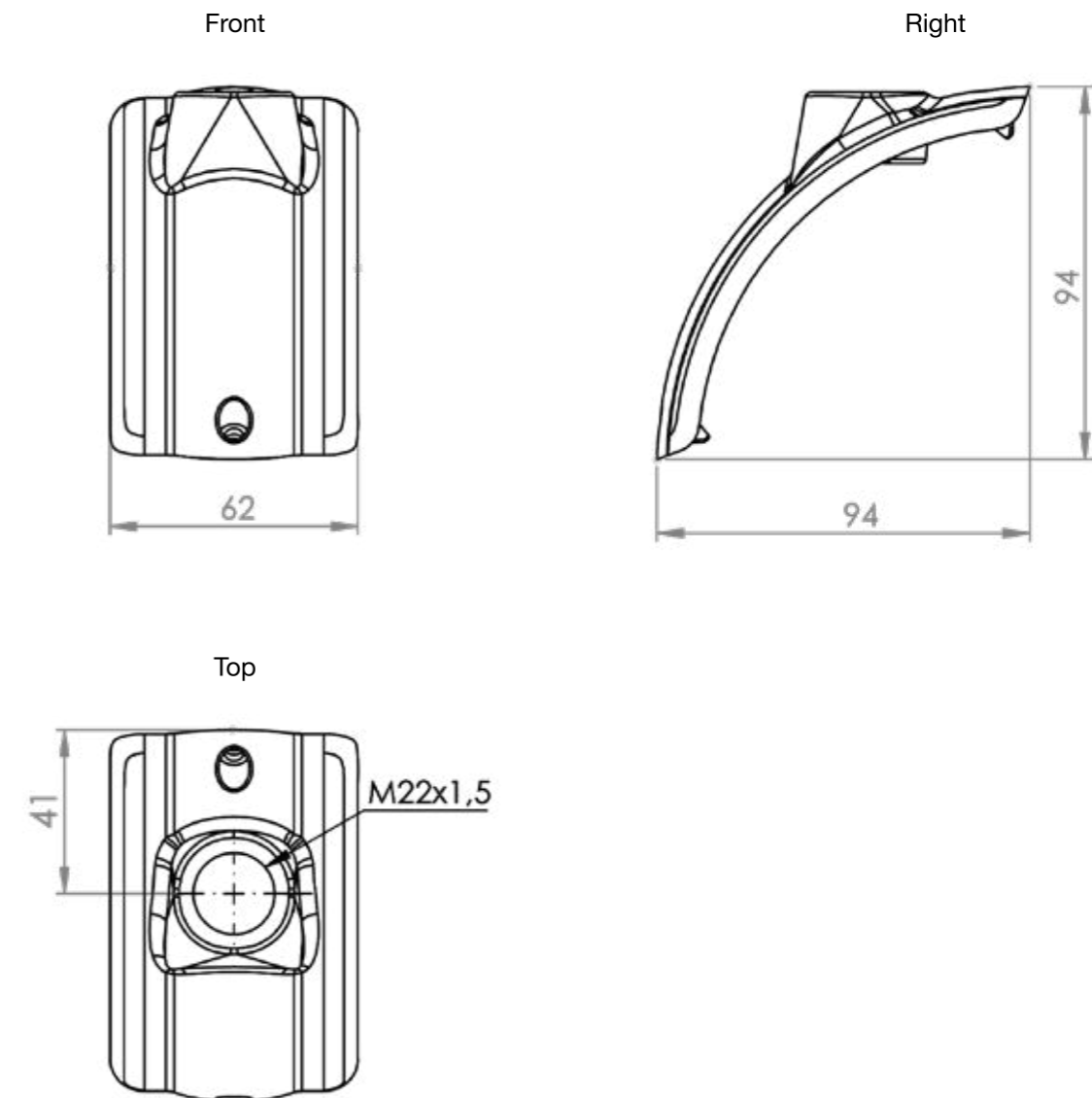
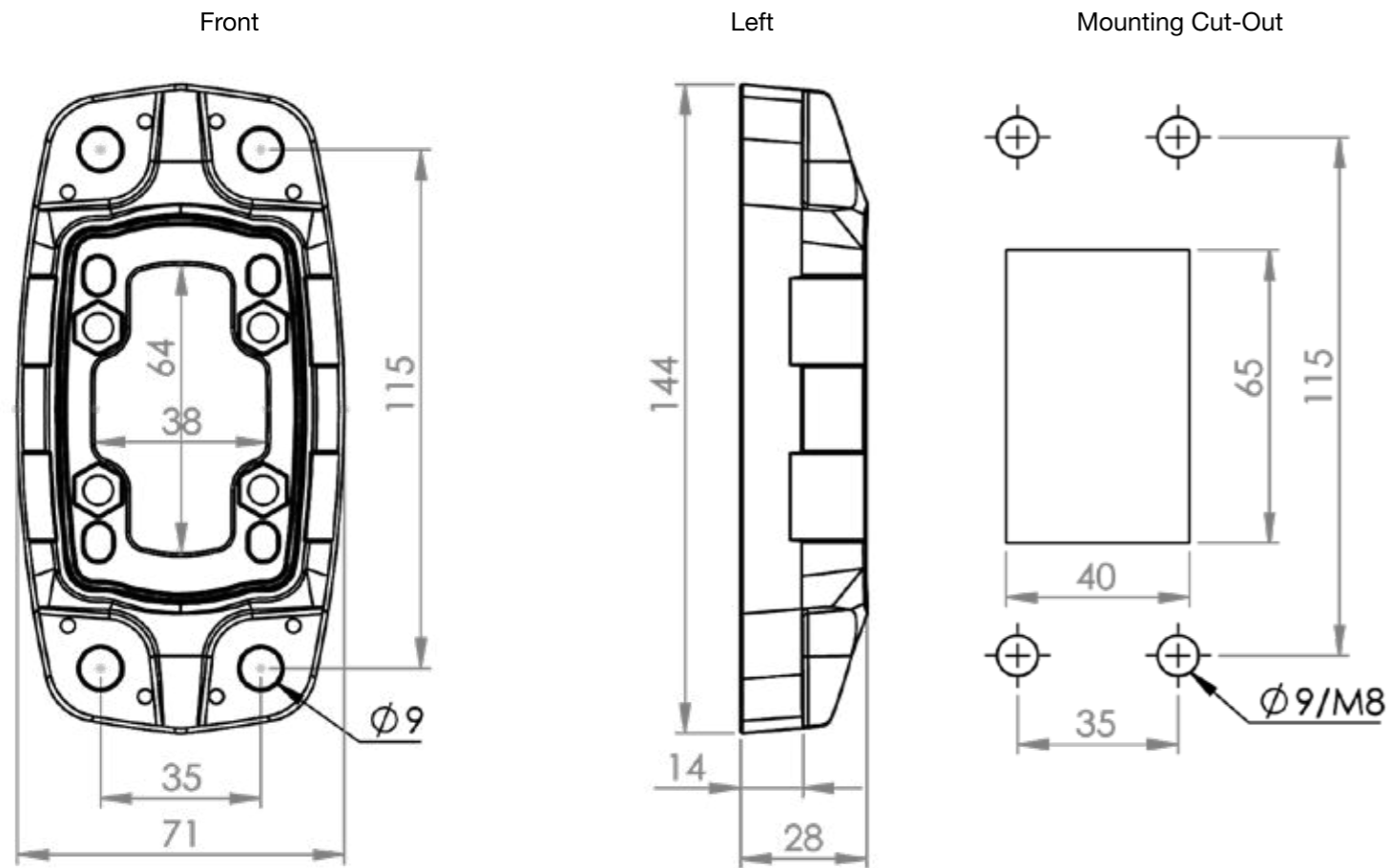
Weight (gr)	Color RAL No	Package	Package Dimension (mm)	Material	Movement
320	RAL 7035 / (Cover RAL 7016)	1	165x75x35	Aluminum	Fixed

Warning Lamp Cover (M22)



TK060.810 Warning lamp cover is an auxiliary product which is completed with corner turn module like "TK 060.420". The main goal of the product is enable to mount warning lamps in the configurations. Assembly holes of the product is M22 x 1,5 mm.

Weight (gr)	Color RAL No	Package	Package Dimension (mm)	Thread Diameter (mm)	Material
130	RAL 7016	1	145x50x70	M22	Aluminum

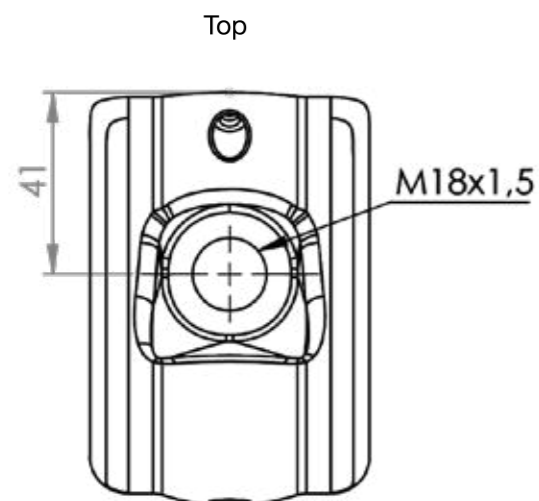
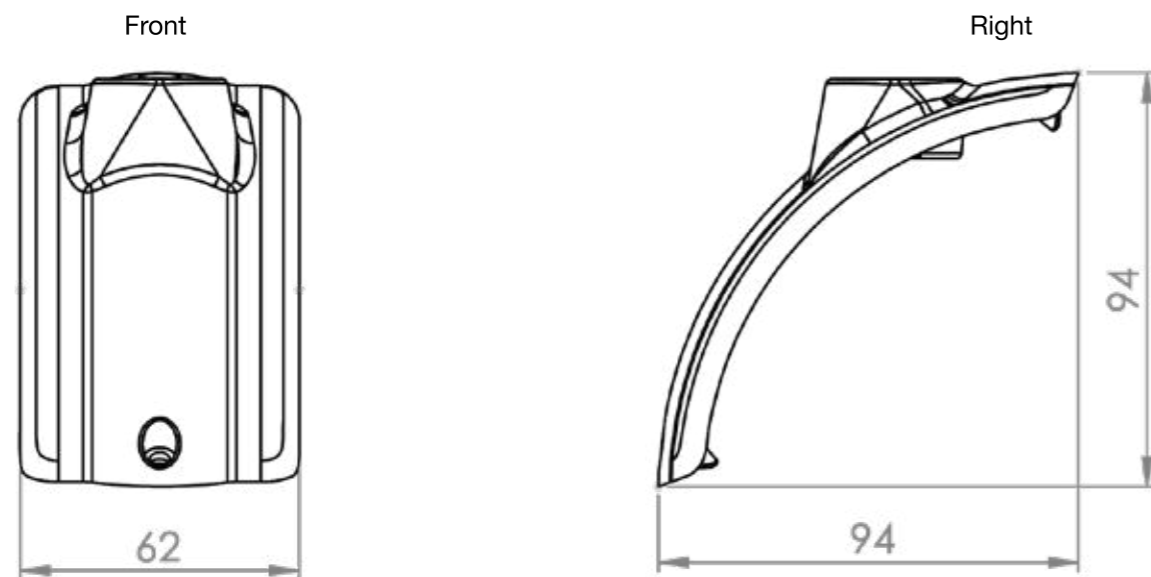


Warning Lamp Cover (M18)



TK060.811 Warning lamp cover is an auxiliary product which is completed with corner turn module like "TK 060.420". The main goal of the product is enable to mount warning lamps in the configurations. Assembly holes of the product is M18 x 1,5 mm.

Weight (gr)	Color RAL No	Package	Package Dimension (mm)	Thread Diameter (mm)	Material
135	RAL 7016	1	145x50x70	M18	Aluminum

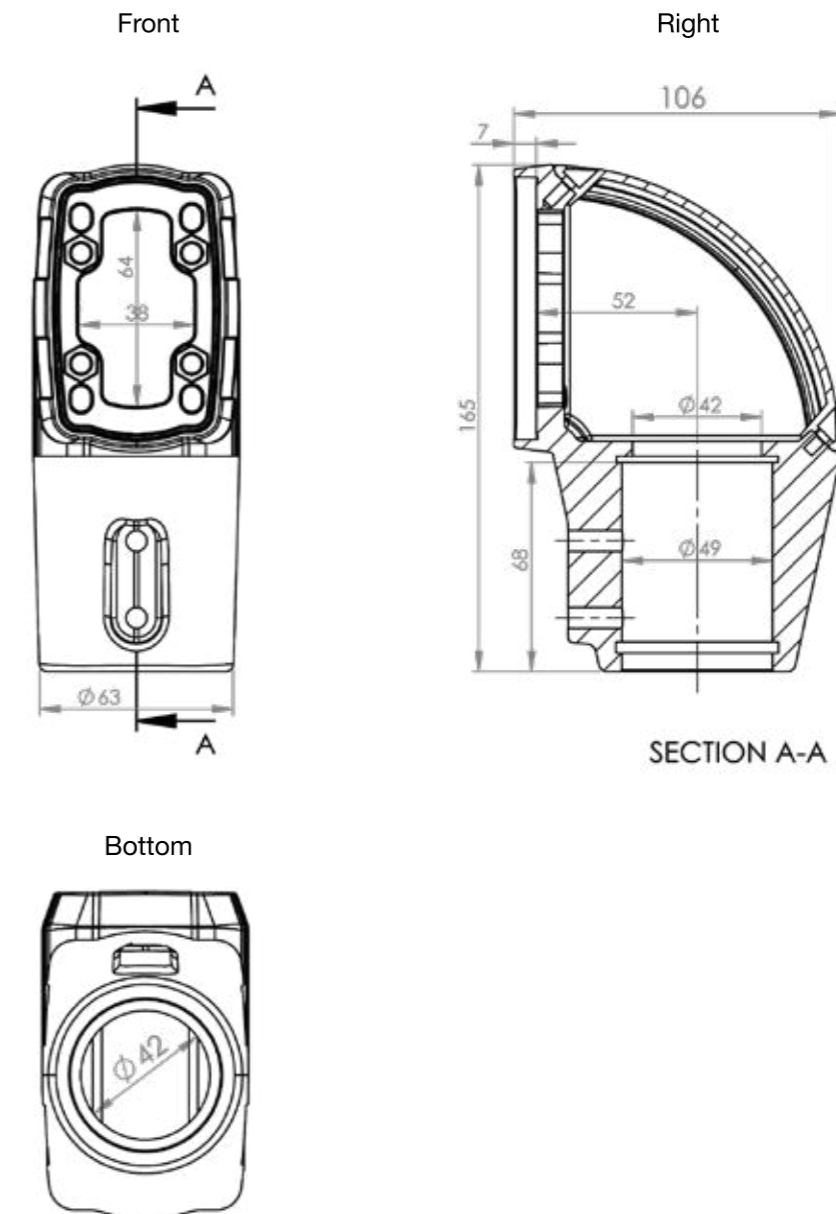


060/Ø48 mm Adaptor



TK060.825 The pass-through adaptor module is designed to provide the connection between the TK060 series control arms and the Ø48 tube arms. Compatible with world-wide proven products with Ø48 tube arms. You can generate the connection between the TK060.825 module and monitor using the "TK060.827" tube profile.

Weight (gr)	Color RAL No	Package	Package Dimension (mm)	Material	Movement
1000	RAL 7035 / (Cover RAL 7016)	1	190x80x120	Aluminum	Fixed

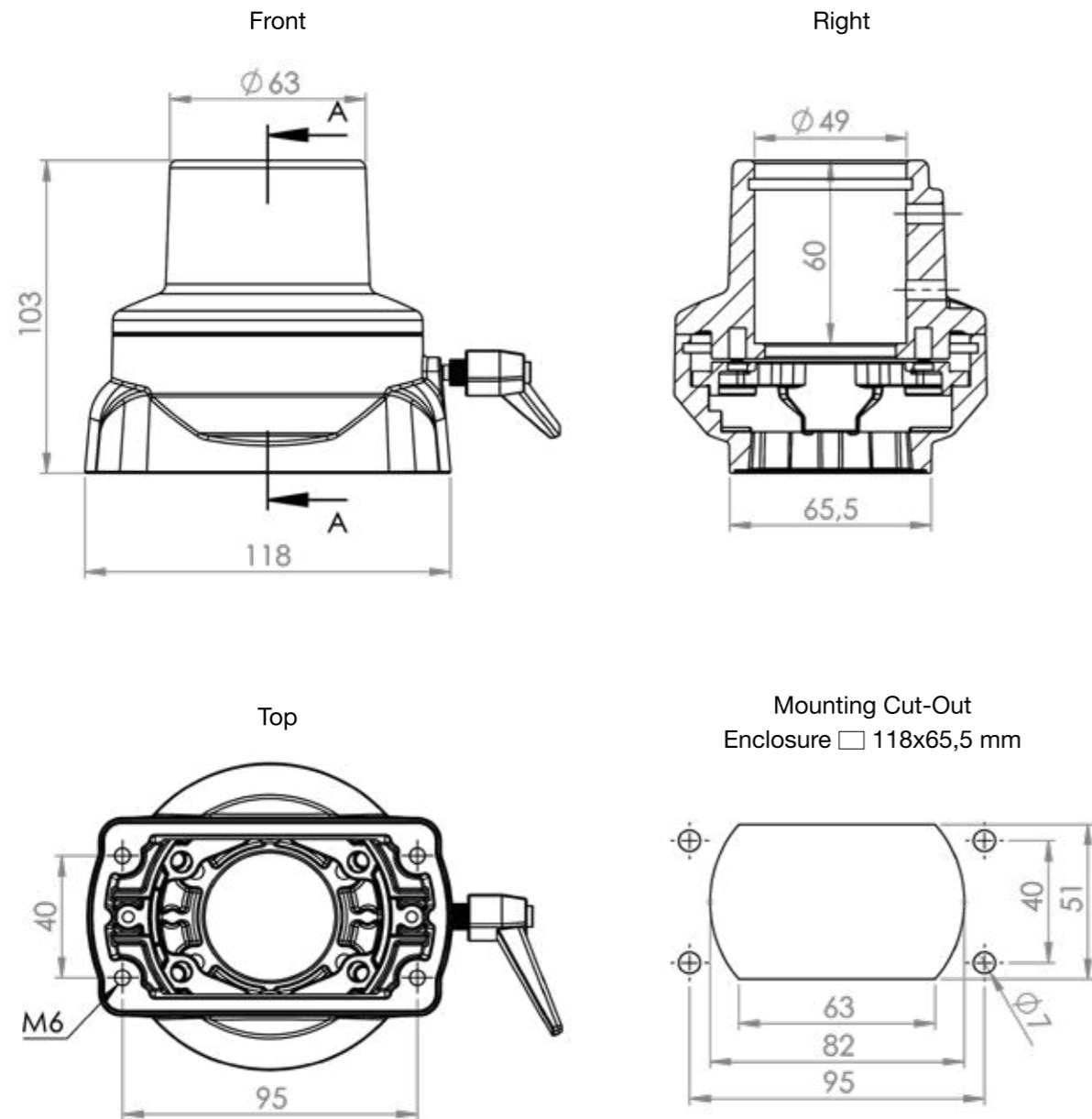


Ø48 mm Adaptor



TK060.826 Panel connection module Ø48 measured tube profiles provide the connection between the operator panels. The surface dimensions of the product are 118x65 and the turning angle around its axis is 350° in total. Thanks to the rotation feature of the module itself, the machine operator can position the panel in the direction of its own by turning it to the left and right. This product is designed for depth-to-medium and medium-weight panel types. (For example it is for panel series ECO090-ECO 120)

Weight (gr)	Color RAL No	Package	Package Dimension (mm)	Material	Movement
930	RAL 7035	1	140x120x110	Aluminum	Rotatable 350°

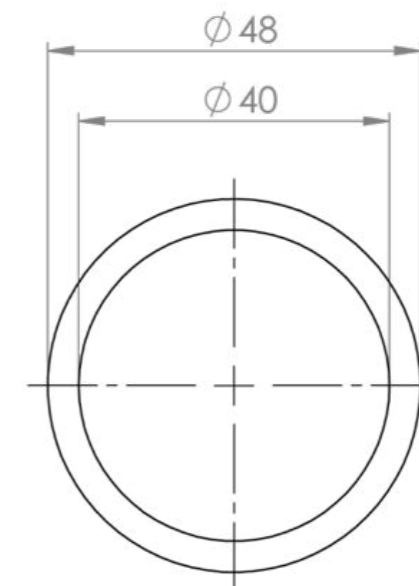


Ø48 mm Pipe Profile



TK060.827 Panel connection tube profile Ø48 mm

Product Code	Definition	Length mm	Weight gr	Ral Code	Package	Package Dimension	Material
TK060.827.025	Ø48 mm Pipe Profile	250	1000	7035	1	250x50x50	Steel
TK060.827.050	Ø48 mm Pipe Profile	500	2000	7035	1	500x50x50	Steel
TK060.827.075	Ø48 mm Pipe Profile	750	3000	7035	1	750x50x50	Steel
TK060.827.100	Ø48 mm Pipe Profile	1000	4000	7035	1	1000x50x50	Steel

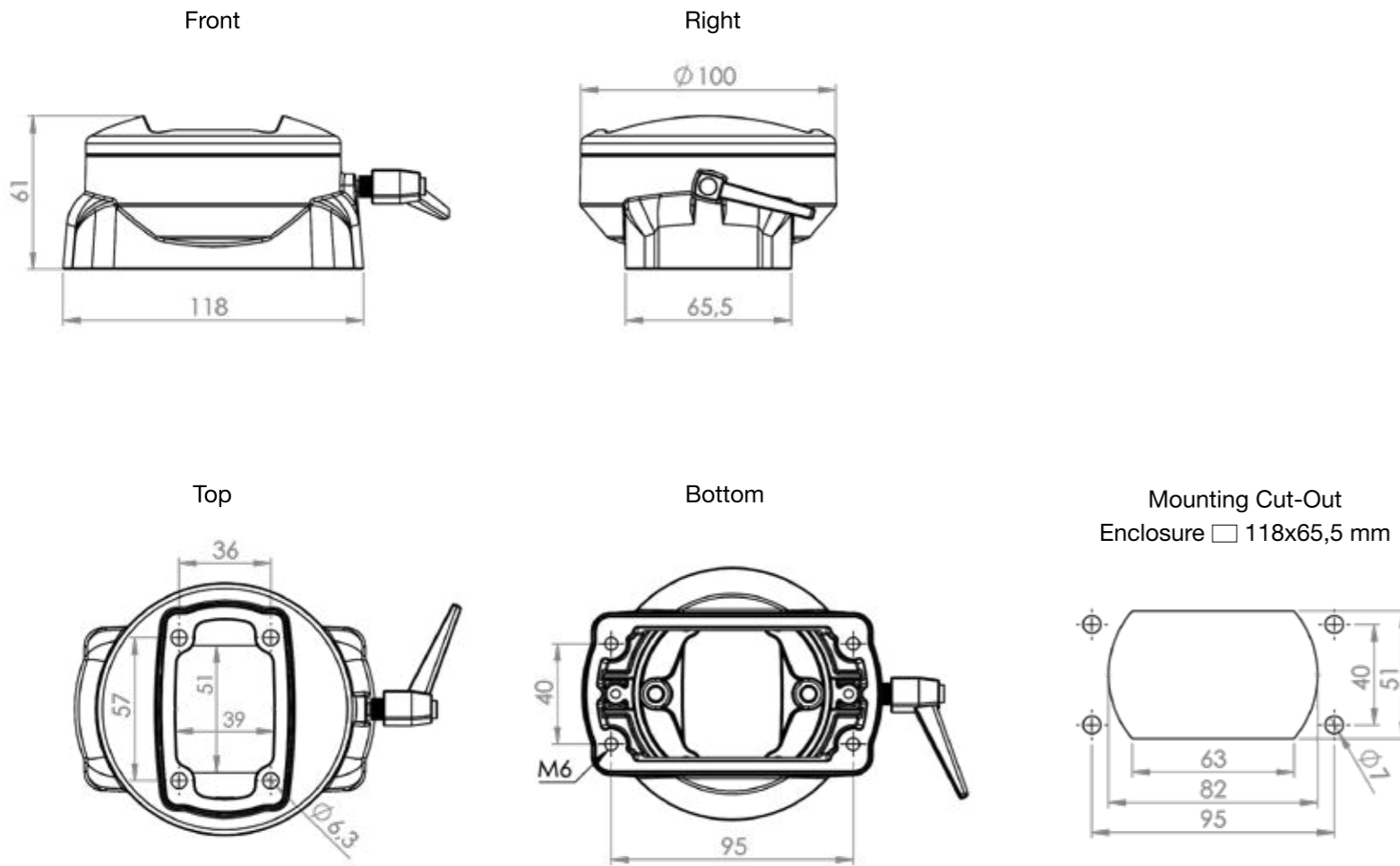


Rotatable Panel Adaptor Vertical



TK060.830 The panel adaptor module provides the connection between the operator panels and the operator handles. The seating surface dimensions of the product are 118x65 and the rotation angle around its axis is 350°. Thanks to the rotation feature of the module itself, the machine operator can position the panel in the direction of its own by turning it to the left and right. This product is designed for low and low weight panel types (for example ECO 090 – ECO 120 panel series applications).

Weight (gr)	Color RAL No	Package	Package Dimension (mm)	Material	Movement
720	RAL 7035	1	135x75x110	Aluminum	Rotatable 350°

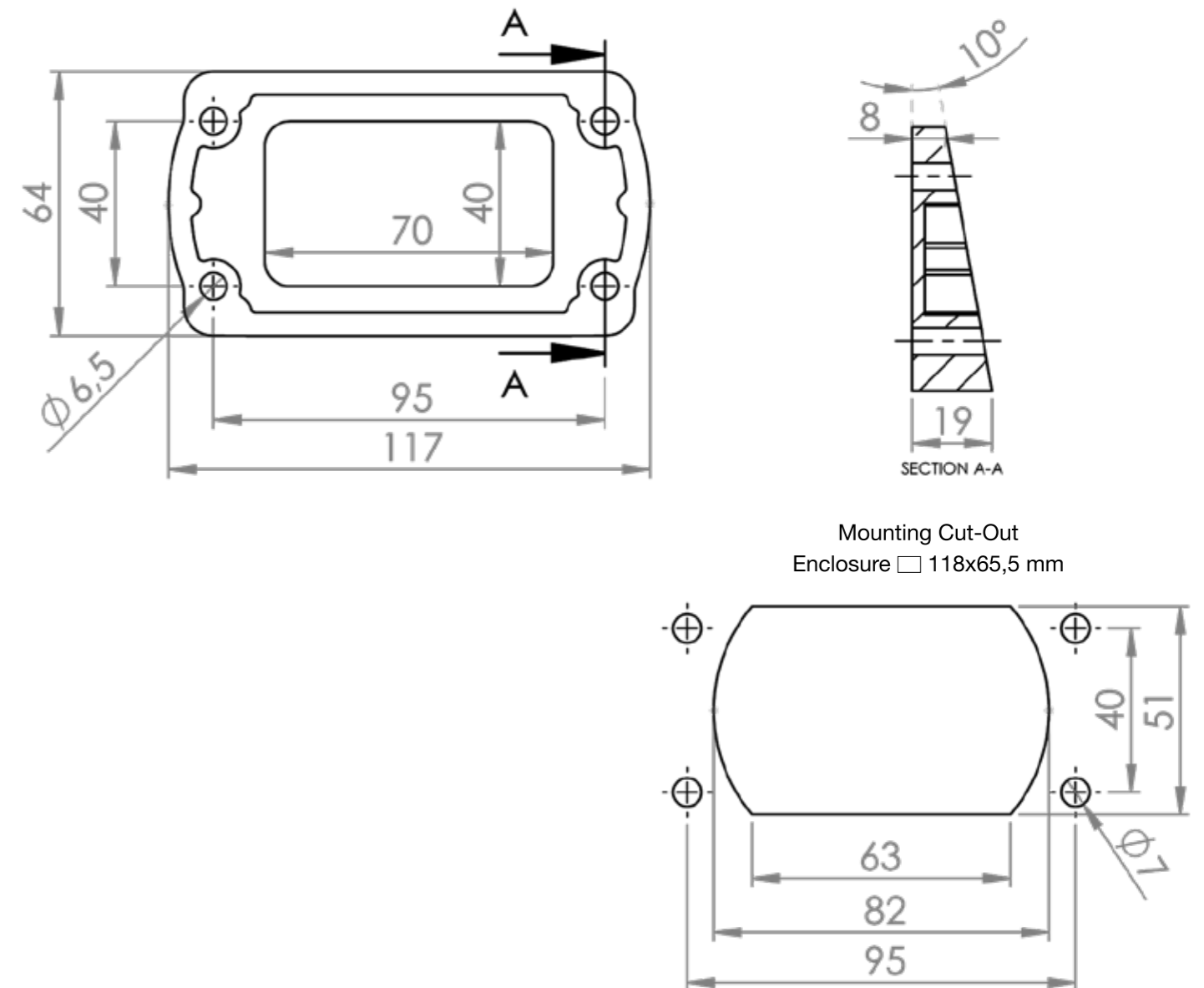


10° Panel Adaptor



TK060.831 is designed to give 10° tilt to the panels. It is fixed and can be used only with TK060.830 and TK060.835

Weight (gr)	Color RAL No	Package	Package Dimension (mm)	Material	Movement
180	RAL 7035	1	170x35x80	Aluminum	Fixed

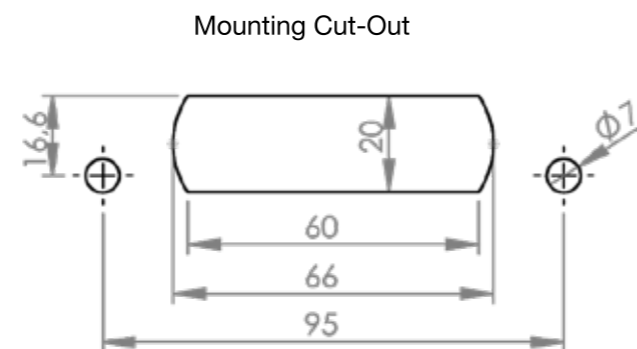
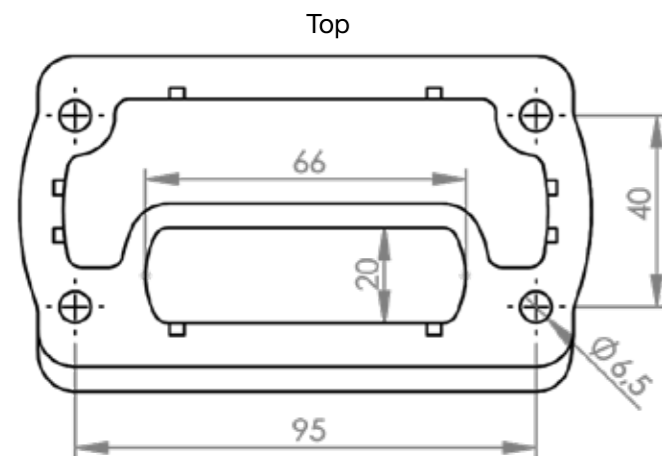
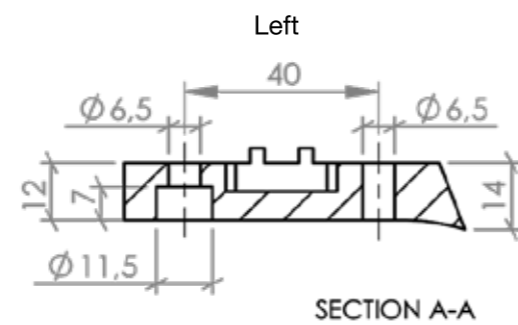
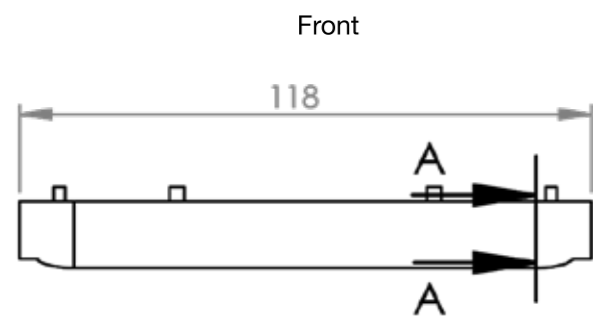


ECO 060 Panel Adaptor



TK060.832 module has been designed to maintain the connection between the panel series and operator arms. This product has been designed only for the ECO 060 panel series which is used together with the TK060.830 module.

Weight (gr)	Color RAL No	Package	Package Dimension (mm)	Material	Movement
235	RAL 7035	1	170x40x80	Aluminum	Fixed

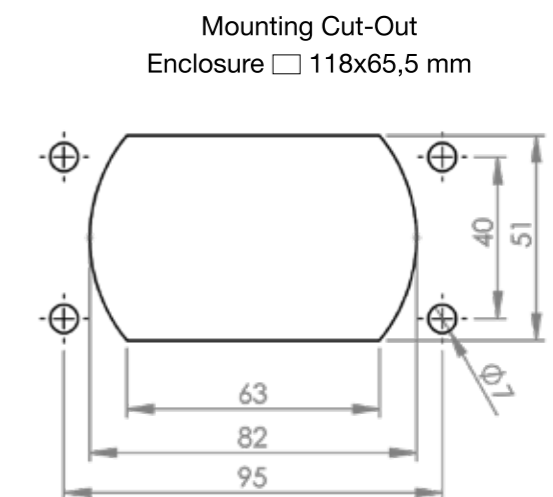
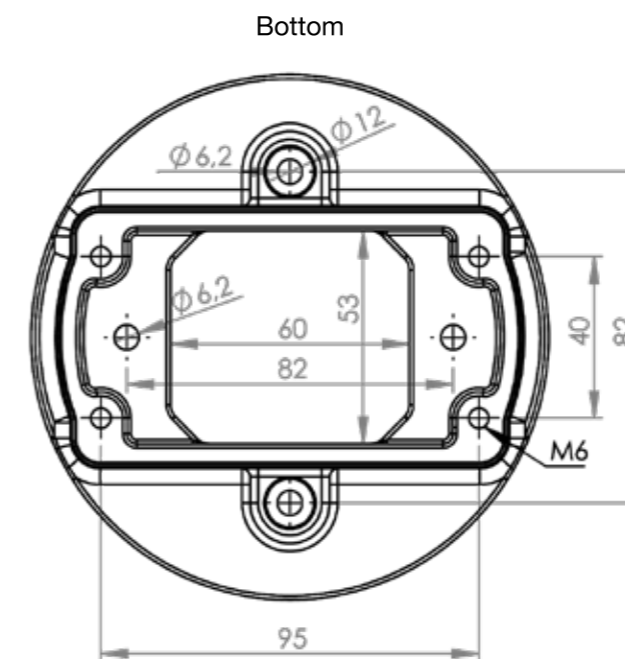
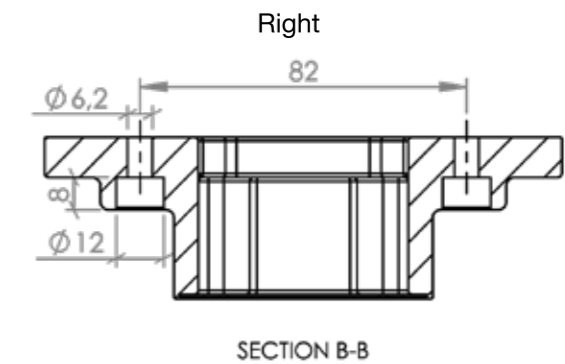
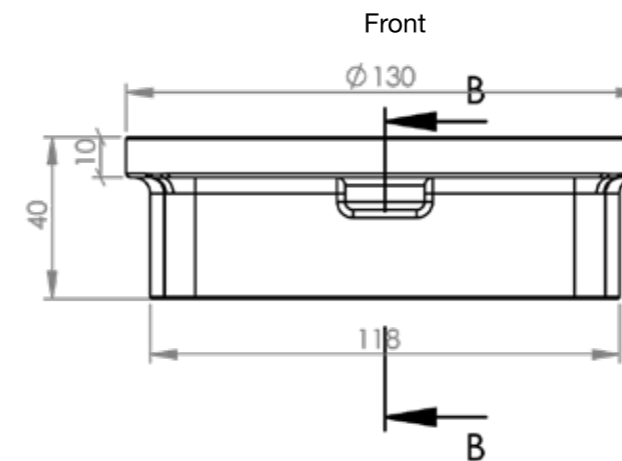


Ø130 mm Panel Adaptor



It provides transition from Ø130 panel connection modules to panel connection size of 118x65.5 mm. Compatible modules: TK060.320, TK060.400, TK120.320, TK120.400

Weight (gr)	Color RAL No	Package	Package Dimension (mm)	Material	Movement
700	RAL 7035	1	135x45x135	Aluminum	Fixed

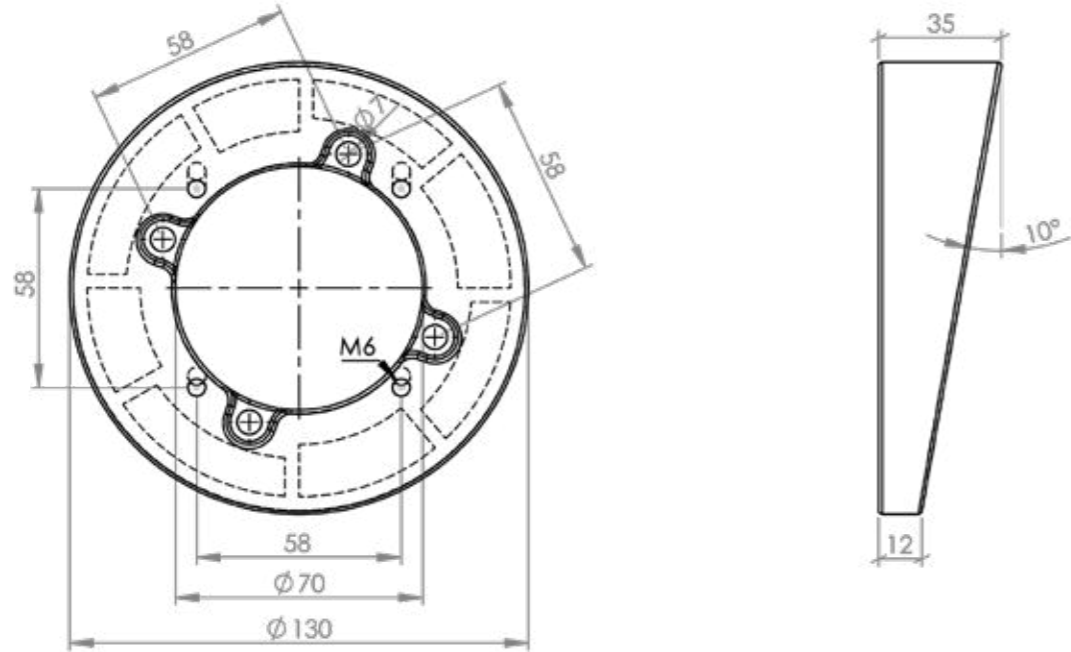


Ø130 mm 10° Panel Adaptor

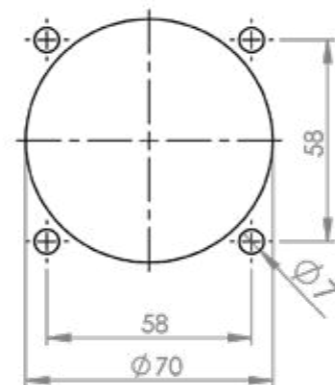


TK060.834 Ø 130 It is used to give 10° ergonomic usage angle to the panel connection modules. Compatible Modules: TK060.320, TK060.400, TK120.320, TK120.400

Weight (gr)	Color RAL No	Package	Package Dimension (mm)	Material	Movement
380	RAL 7035	1	135x45x135	Aluminum	Fixed



Mounting Cut-Out
Enclosure Ø 130 mm

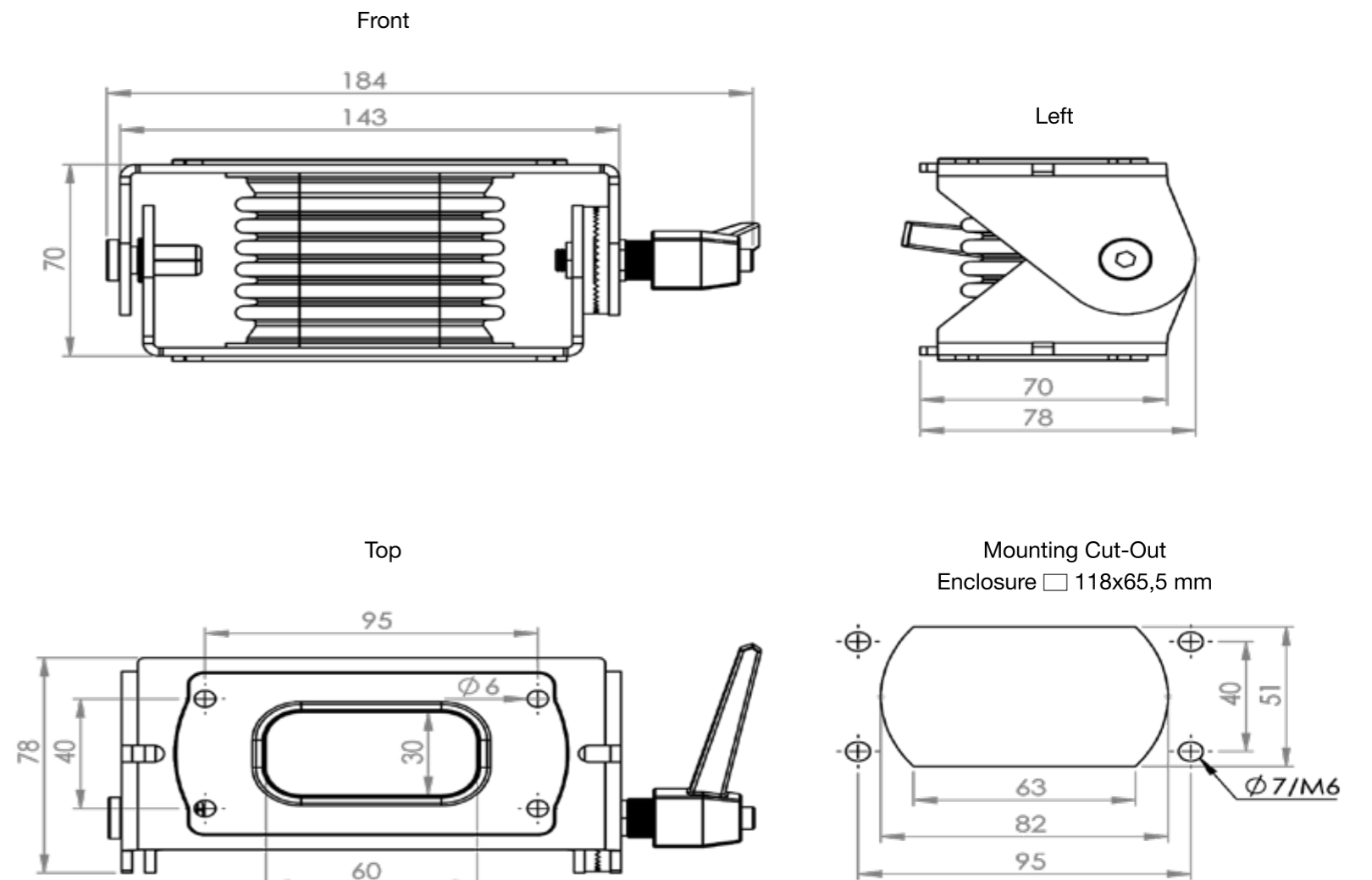


Panel Tilting Adaptor Moveable



TK060.835 Panel tilting adaptor , the machine operator can tilt the product +30° / -40° It can be mounted to panel only with TK060.830. Diameter of products is 125 x 70 mm

Weight (gr)	Color RAL No	Package	Package Dimension (mm)	Material	Movement
700	RAL 7035 / (Bellow RAL 7016)	1	195x90x95	Sheet Steel	+30° / -40°

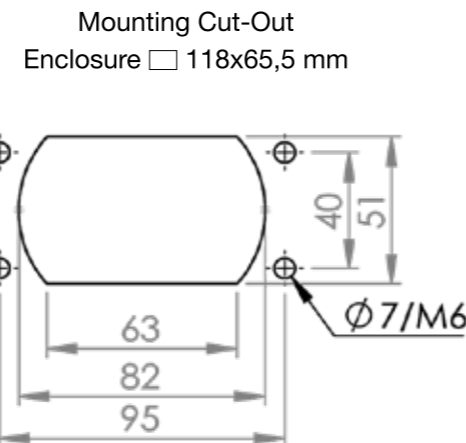
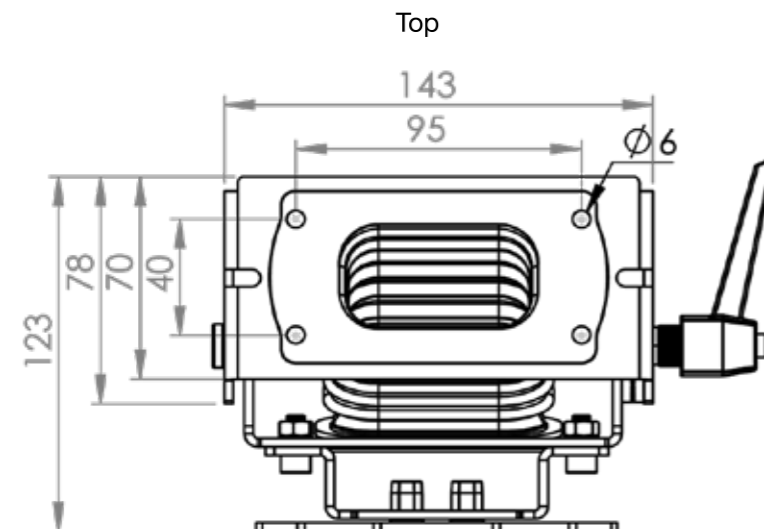
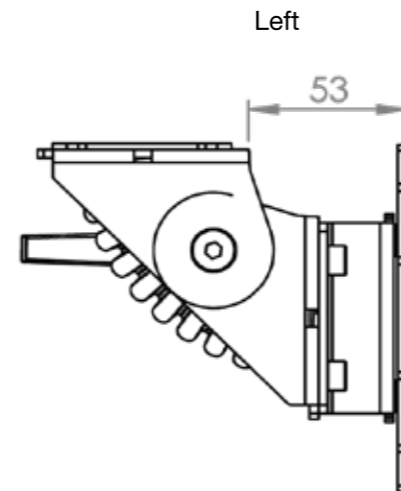
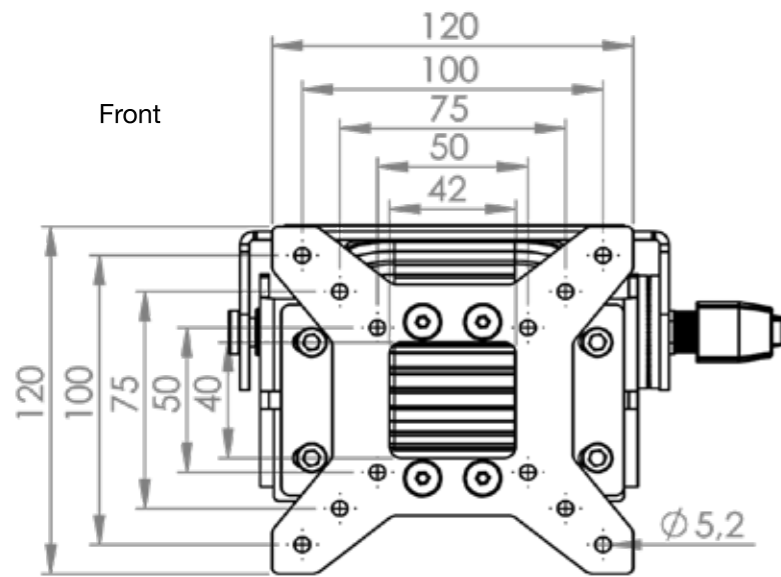


Vesa Tilting Adaptor Moveable



TK060.836 Vesa/Panel tilting adaptor, it is designed for the use industrial PC or monitors without enclosure. The machine operator can tilt the product +30° / -40°. It can be mounted to the panel only with TK060.830 . Diameter of products is 125 x 70 mm TK060.836 The Vesa / Panel tilting adaptor is designed for the use of industrial PC or monitors without an enclosure.

Weight (gr)	Color RAL No	Package	Package Dimension (mm)	Material	Movement
1150	RAL 7035 / (Bellow RAL 7016)	1	180x110x150	Sheet Steel	+30° / -40°

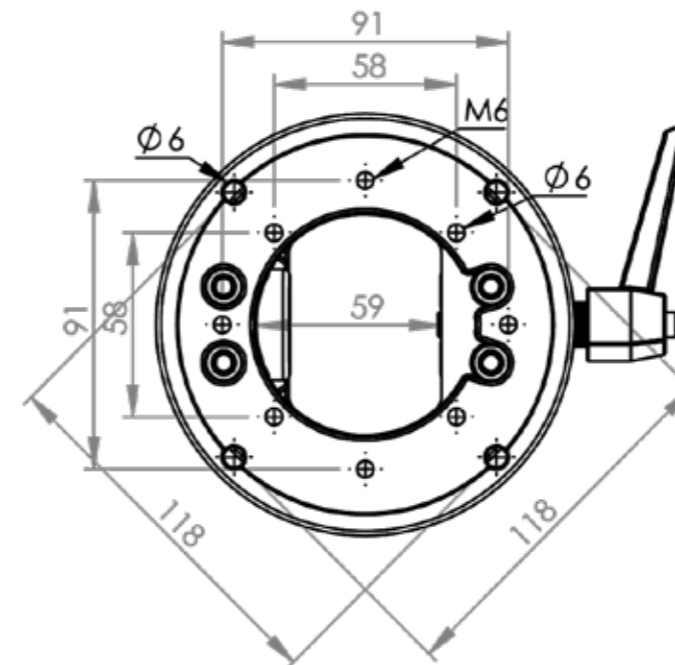
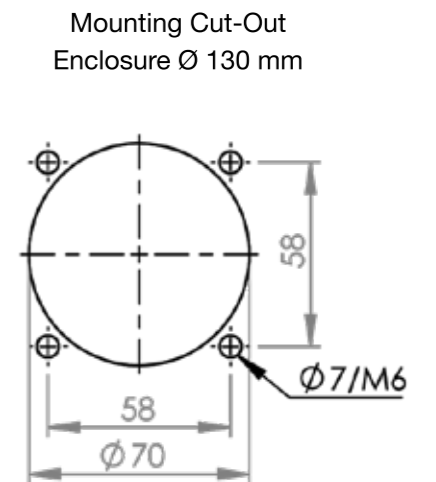
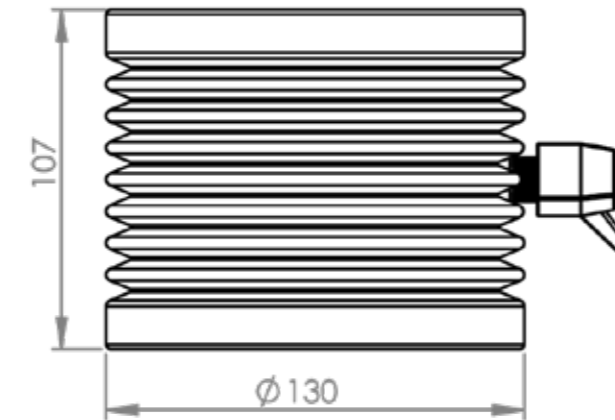


Ø130 mm Tilting Bellow



TK060.840 Panel tilt module is designed to give the panels a different usage angle in the connection between operator panels and operator arms. The product's max. diameter is Ø 130 mm and it has no rotation feature around its own axis. As an additional feature, thanks to the bellows structure on the bottom of the product, it provides the most suitable position for the user with an angular movement of ± 45° on the vertical axis. This product is designed for panel types with large depths (For example, for applications with ECO 1500 panel series or above.)

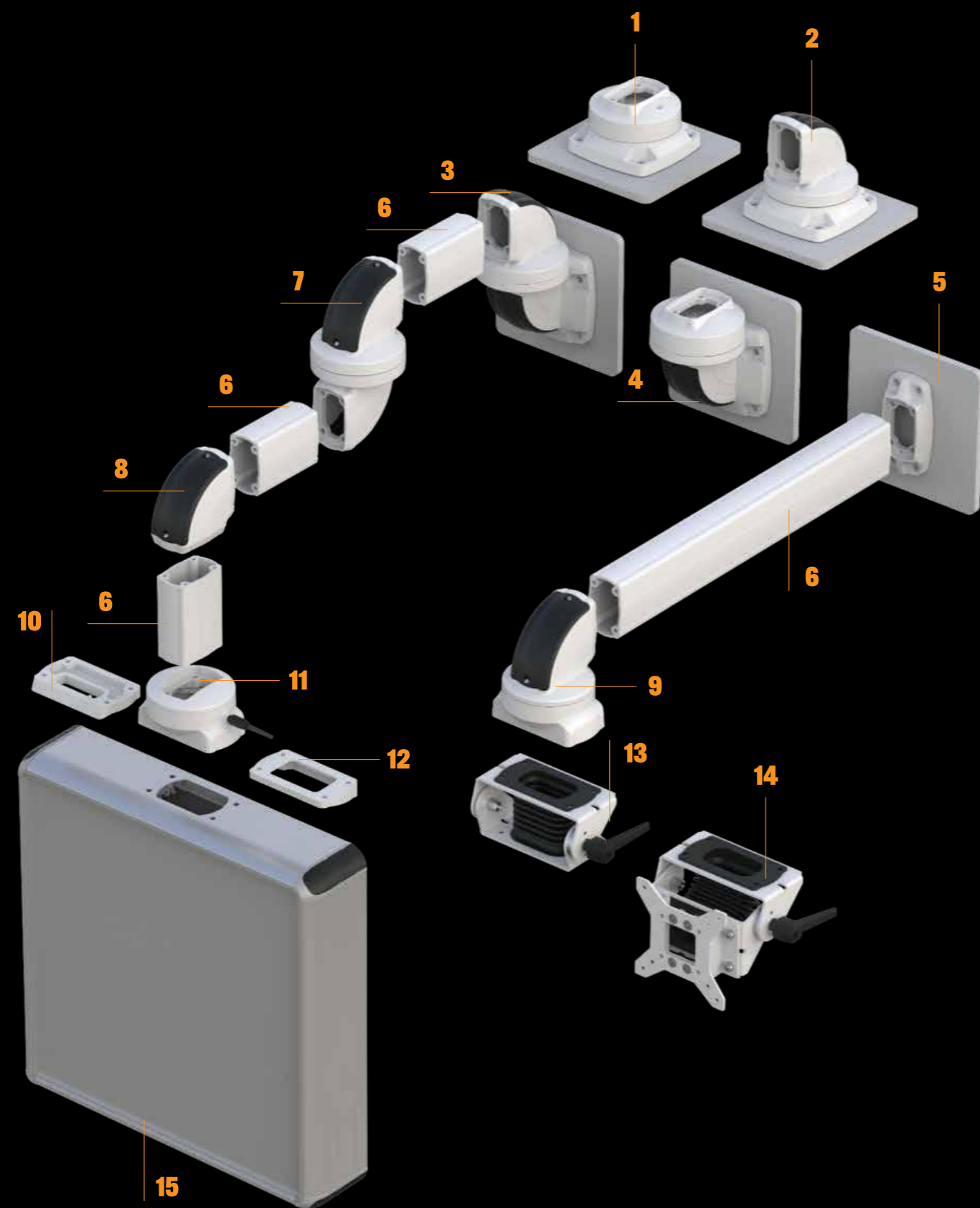
Weight (gr)	Color RAL No	Package	Package Dimension (mm)	Material	Movement
1140	RAL 7035 / (Bellow RAL 7016)	1	140x155x110	Aluminum	+30° / -40°





TK045

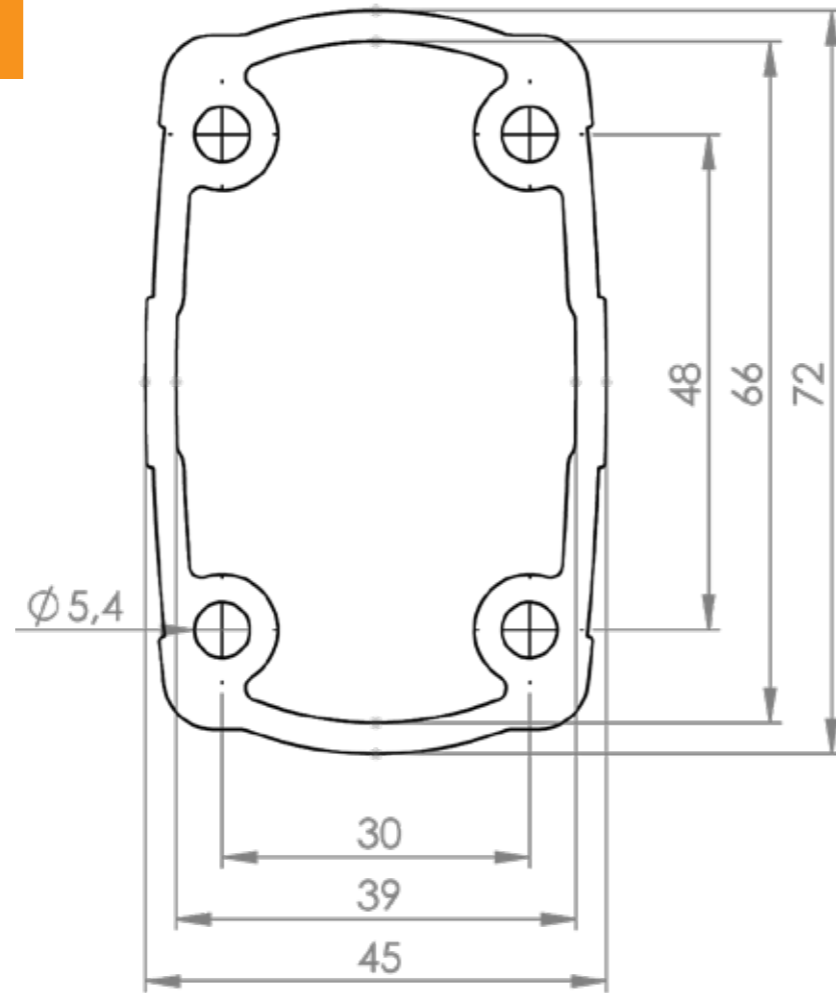
Series ▶



- | | | |
|-----------|----------------------|--|
| 1 | TK045.610 | Rotatable Top Mounted Vertical Outlet |
| 2 | TK045.600 | Rotatable Top Mounted 90° Angle Joint |
| 3 | TK045.700 | Rotatable Wall-Mounted Hinge Horizontal Outlet |
| 4 | TK045.710 | Rotatable Wall-Mounted Hinge Vertical Outlet |
| 5 | TK045.800 | Wall-Socket Mounting Bracket |
| 6 | TK045 PROFILE | Support Profile |
| 7 | TK045.500 | Rotatable Intermediate Hinge |
| 8 | TK045.420 | 90° Angle Piece |
| 9 | TK045.400 | Rotatable Panel 90° Angle Coupling |
| 10 | TK060.832 | ECO 060 Panel Adaptor |
| 11 | TK045.830 | Rotatable Panel Adaptor Vertical |
| 12 | TK060.831 | 10 ° Panel Adaptor |
| 13 | TK060.835 | Panel Tilting Adaptor Moving |
| 14 | TK060.836 | Vesa Panel Tilting Adaptor Moving |
| 15 | ECO PANEL | |

Support Arm Profile

The TK045 series operator handles are designed to support control panels with low and short distance configurations. TK045 series operator arms can offer dozens of different configuration solutions with large component arm groups. RAL7035 light gray paint is used in our products, which has sealing features.



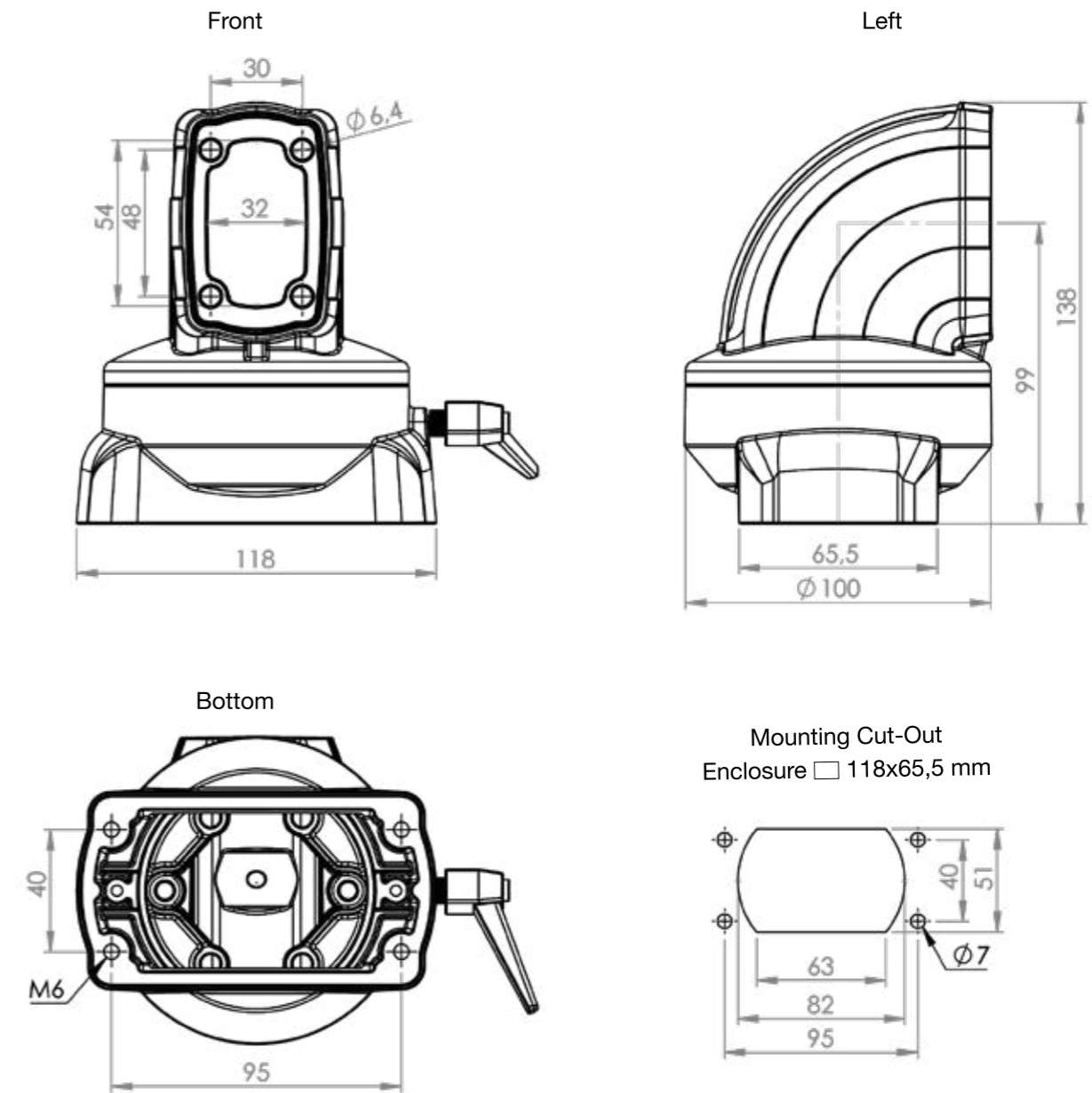
Model No	Description	Length mm	Weight gr	Ral Code	Package	Package Dimension	Material
TK045.025	045 Support Profile – 250 mm	250	500	7035	1	50x75x260	Aluminum
TK045.050	045 Support Profile – 500 mm	500	1000	7035	1	50x75x510	Aluminum
TK045.075	045 Support Profile – 750 mm	750	1500	7035	1	50x75x760	Aluminum
TK045.100	045 Support Profile – 1000 mm	1000	2000	7035	1	50x75x1010	Aluminum
TK045.125	045 Support Profile – 1250 mm	1250	2500	7035	1	50x75x1260	Aluminum
TK045.150	045 Support Profile – 1500 mm	1500	3000	7035	1	50x75x1510	Aluminum
TK045.175	045 Support Profile – 1750 mm	1750	3500	7035	1	50x75x1760	Aluminum
TK045.200	045 Support Profile – 2000 mm	2000	4000	7035	1	50x75x2010	Aluminum

Rotatable Panel 90° Angle Coupling

TK045.400 Rotatable 90° Angle Panel Coupling is designed for combination which operator panels are needed immediately after a 90° angle corner turn. The rotation angle around its axis is 350° in total. Thanks to the module's ability to turn around, the machine operator can make any position for himself with turning the direction of panel right and left. This product is designed for the panel types with considerable and light weight depth. (For example ECO 090-ECO 120 panel series)



Weight (gr)	Color RAL No	Package	Package Dimension (mm)	Material	Movement
1000	RAL 7035 / (Cover RAL 7016)	1	140x155x110	Aluminum	Rotatable 310°

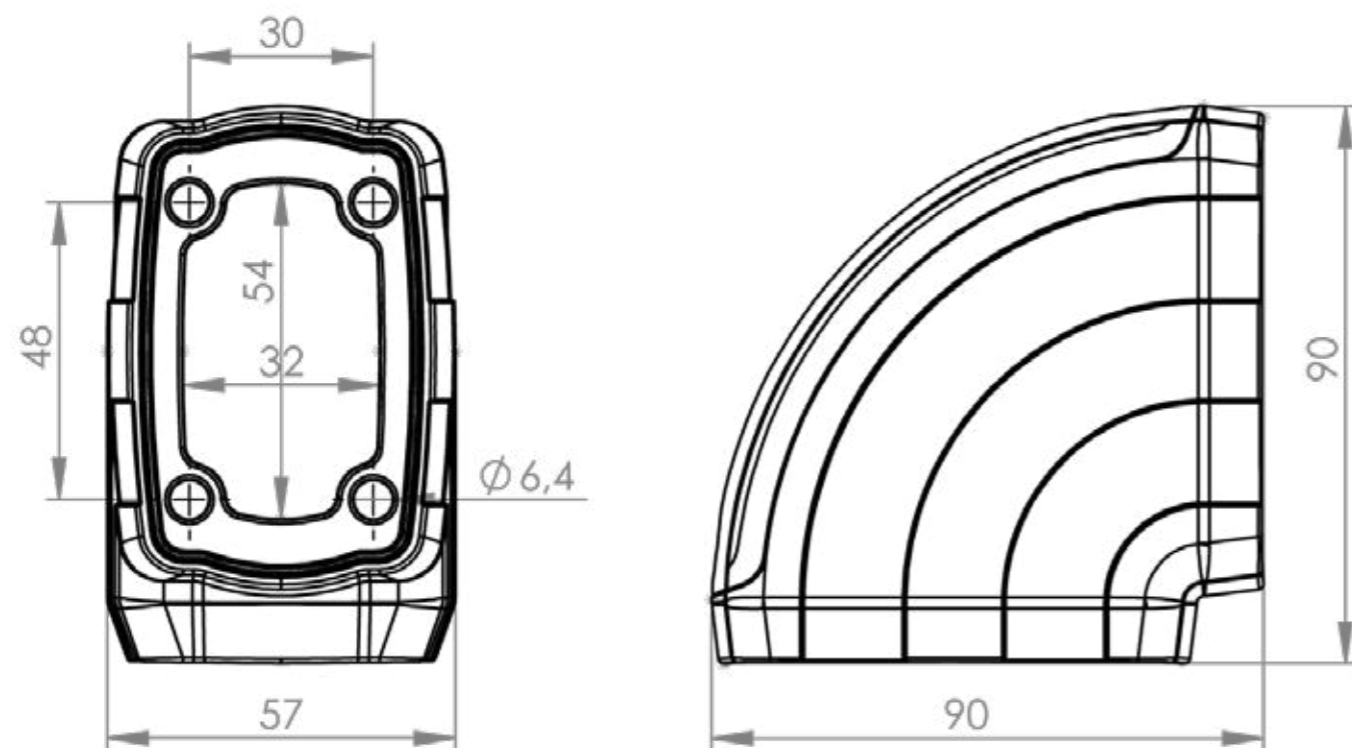


90° Angle Piece



TK045.420 – 90° Angle Coupling is a corner turn module which combines horizontal profiles with vertical profiles and has a fixed structure. This product can be used without any problem in the configurations consisting of considerable length distances and light weight load panels.

Weight (gr)	Color RAL No	Package	Package Dimension (mm)	Material	Movement
365	RAL 7035 / (Cover RAL 7016)	1	110x65x95	Aluminum	Fixed

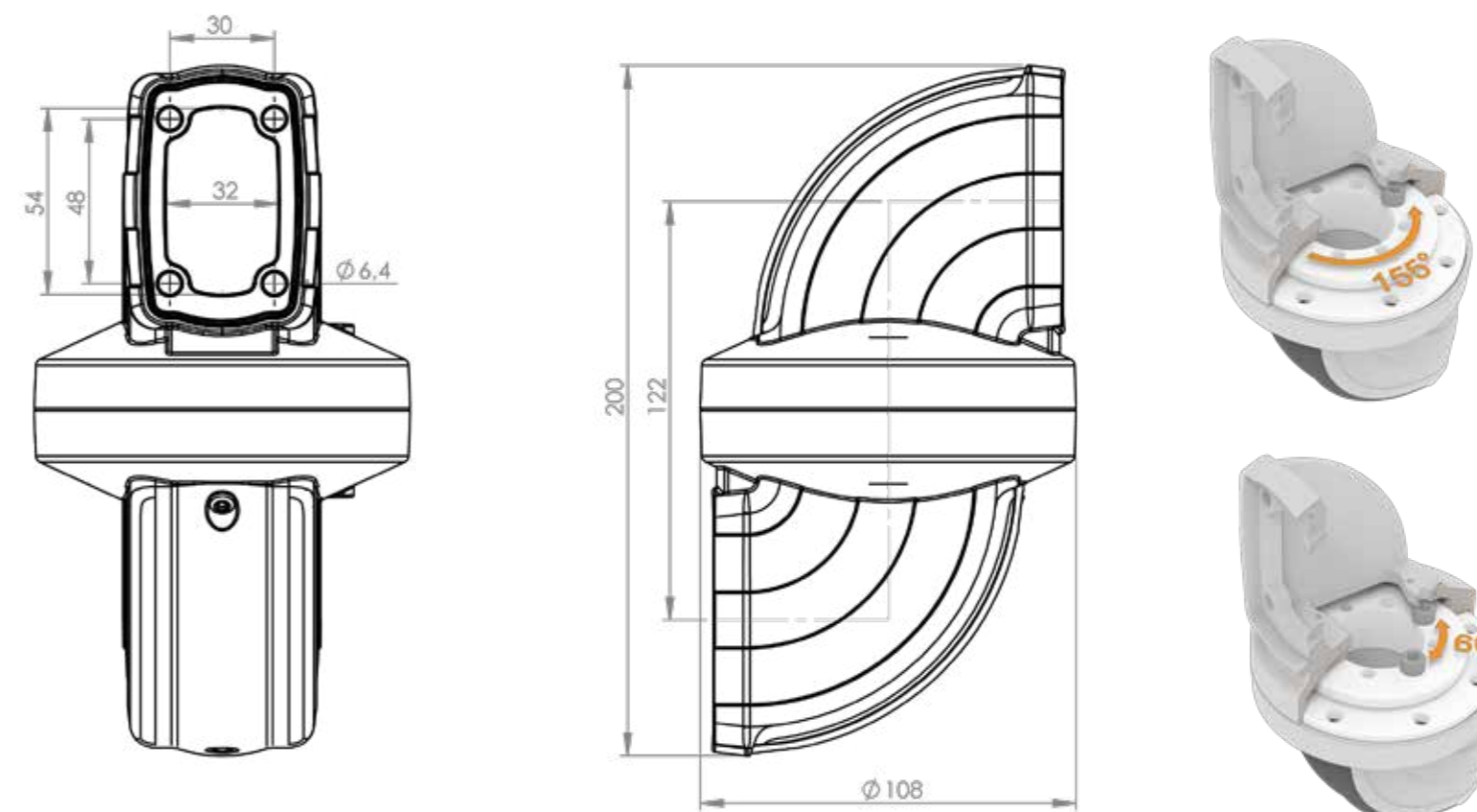


Rotatable Intermediate Hinge



TK045.500 Intermediate hinge, the interconnection module allows to move at a semi-independent angle (310°) from one to another using the intersection points of the two operator arms located in the horizontal axis. The modern line of this product, which we call the joint, has taken its place among the products as an indispensable module for short distance, light-weight configurations with its rigid structure.

Weight (gr)	Color RAL No	Package	Package Dimension (mm)	Material	Movement
1725	RAL 7035 / (Cover RAL 7016)	1	220x120x115	Aluminum	Rotatable 310°

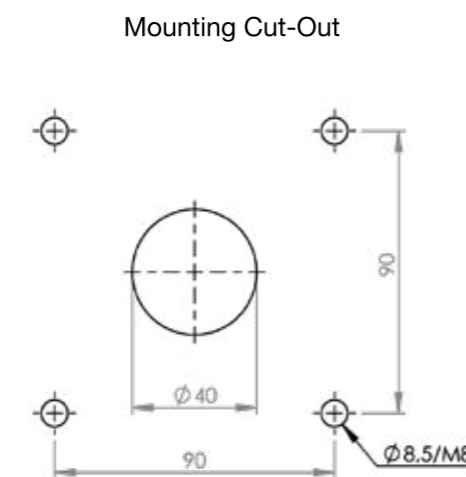
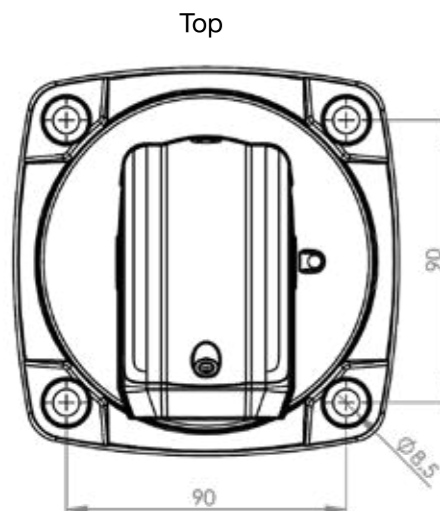
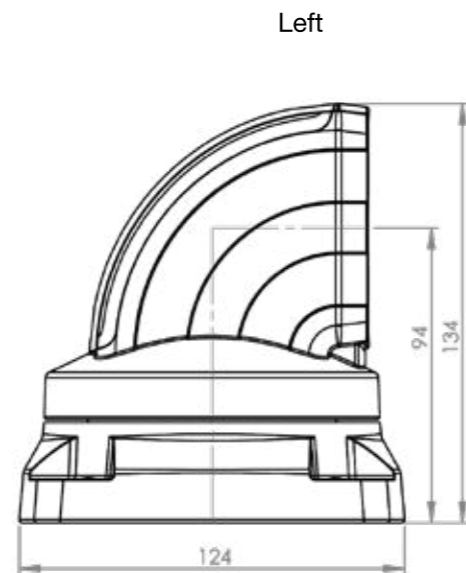
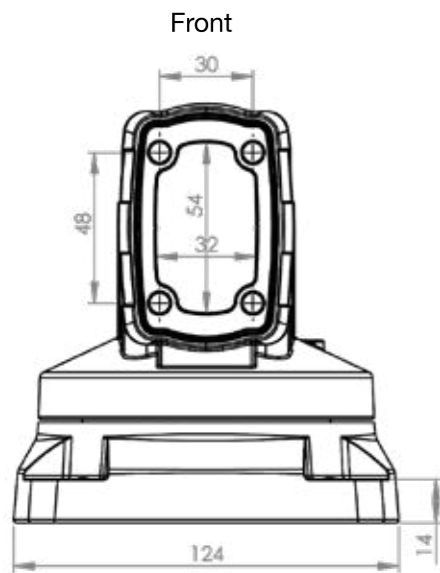


Rotatable Top Mounted 90° Angle Joint



TK045.600 Rotatable Top Mounted Angle Joint is designed for situations where the connection point is high (machine top point, etc.), the modul is allowing the support arm to placed horizontally. This module is specially designed for low load configurations, which is rotatable on 310° movable left to right.

Weight (gr)	Color RAL No	Package	Package Dimension (mm)	Material	Movement
1700	RAL 7035 / (Cover RAL 7016)	1	140x145x130	Aluminum	Rotatable 310°

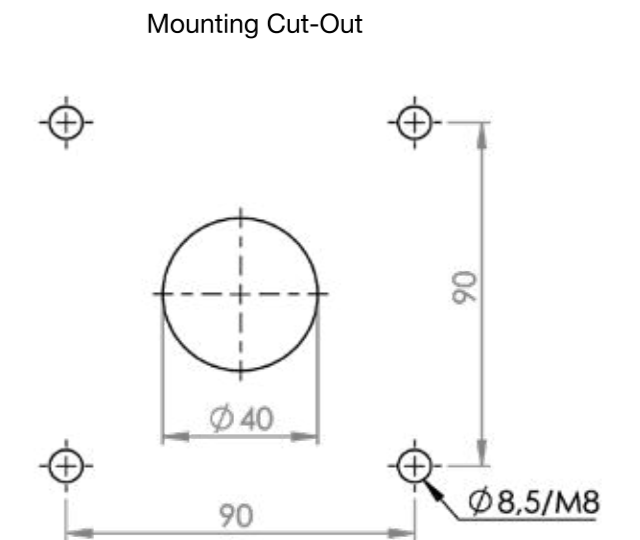
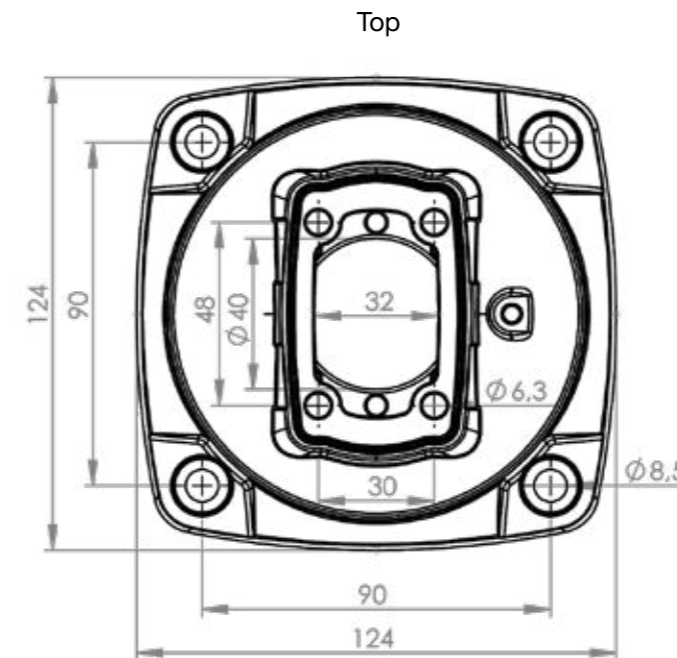
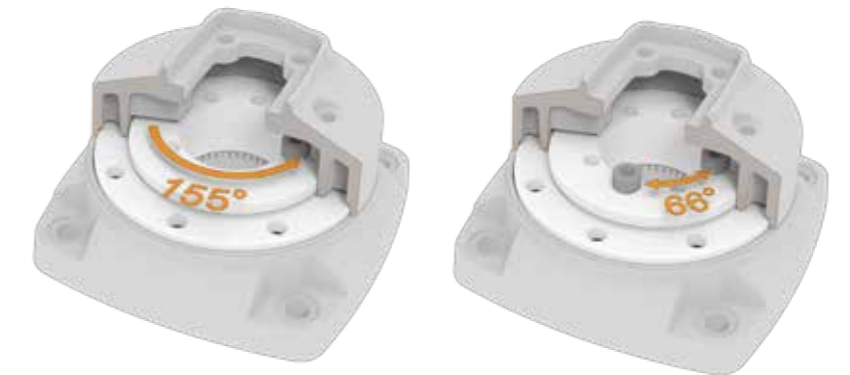
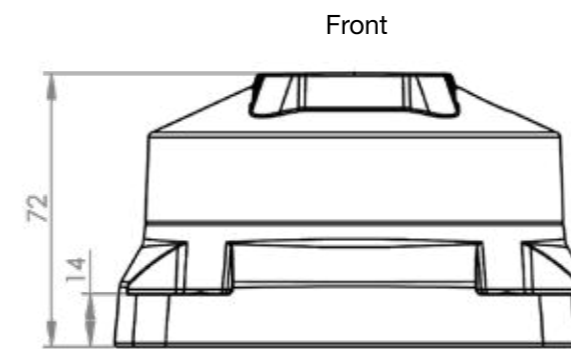


Rotatable Top Mounted Vertical Outlet



TK045.610 Rotatable top mounted vertical outlet allows the support arm to be placed vertically. This module is specially designed for small load configurations and rotatable 310°. This module can be used as a fixed kiosk by mounting on the floor.

Weight (gr)	Color RAL No	Package	Package Dimension (mm)	Material	Movement
1565	RAL 7035	1	145x85x130	Aluminum	Rotatable 310°

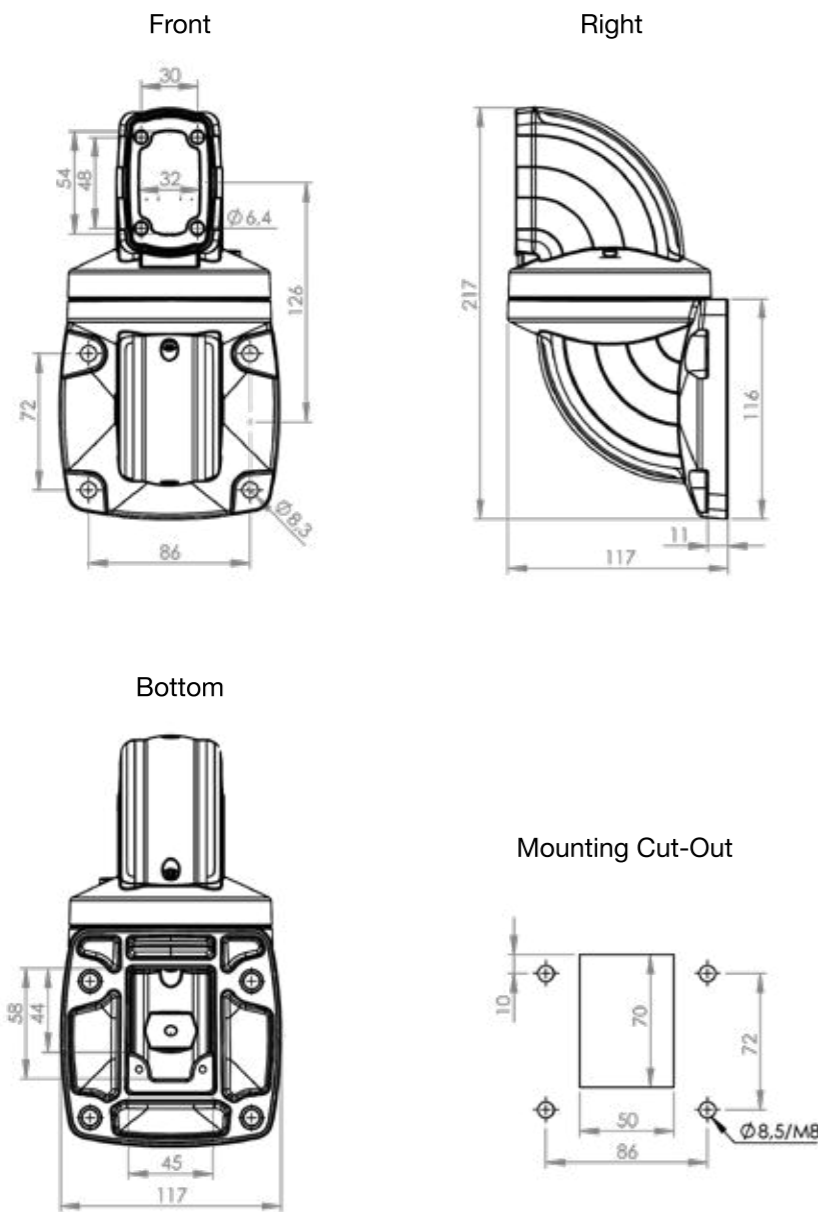


Rotatable Wall Mounted Hinge Horizontal Outlet



TK045.700 Rotatable wall mounted hinge horizontal outlet is designed for situations where the connection to the floor is impossible and where it is desirable to have a high connection point on a wall or machine. It is allowing the support arm to be placed horizontally. This module is specially designed for low load configurations and it is rotatable 310°. movable left to right.

Weight (gr)	Color RAL No	Package	Package Dimension (mm)	Material	Movement
1920	RAL 7035 / (Cover RAL 7016)	1	245x140x130	Aluminum	Rotatable 310°

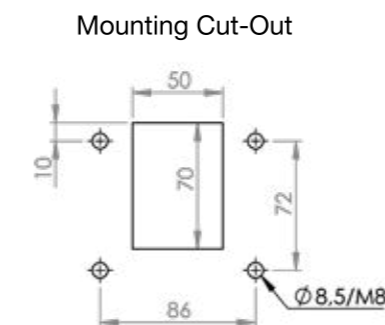
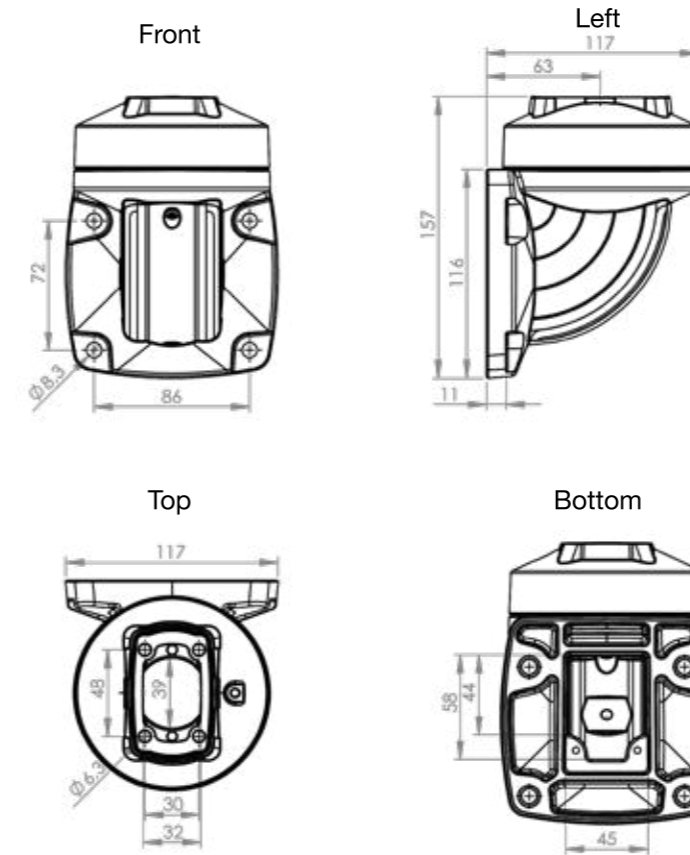


Rotatable Wall Mounted Hinge Vertical Outlet



TK045.710 Rotatable wall mounted hinge vertical outlet is designed for situations where the connection to the ground is impossible and the connection point is desired to be in a wall or machine. It is allowing the support arm placed vertically. This module is specially designed for small load configurations and rotatable 310°.

Weight (gr)	Color RAL No	Package	Package Dimension (mm)	Material	Movement
1770	RAL 7035 / (Cover RAL 7016)	1	180x130x125	Aluminum	Rotatable 310°

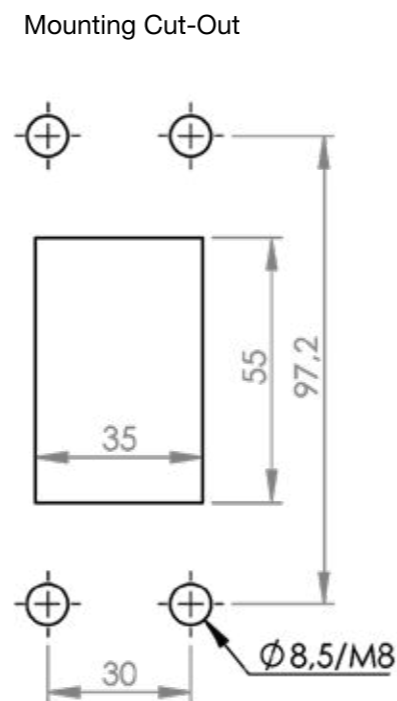
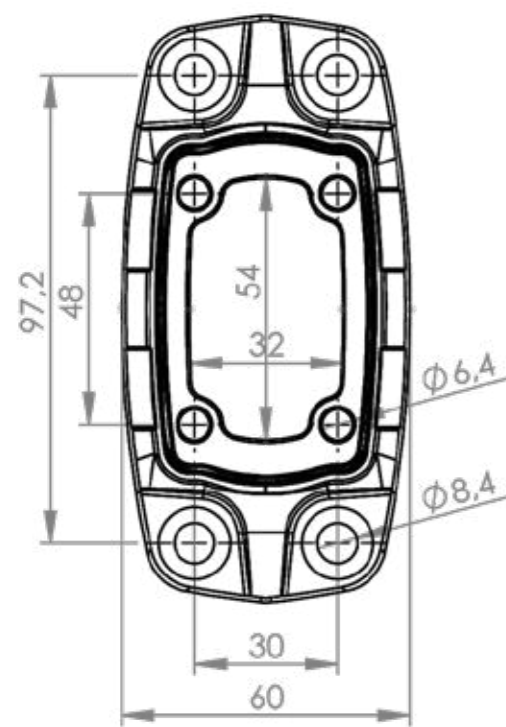


Wall Socket Mounting Bracket



TK045.800 can be easily connected to vertical and horizontal surfaces. Designed especially for low weight configurations and is created for mounted connections.

Weight (gr)	Color RAL No	Package	Package Dimension (mm)	Material	Movement
180	RAL 7035	1	140x30x65	Aluminum	Fixed

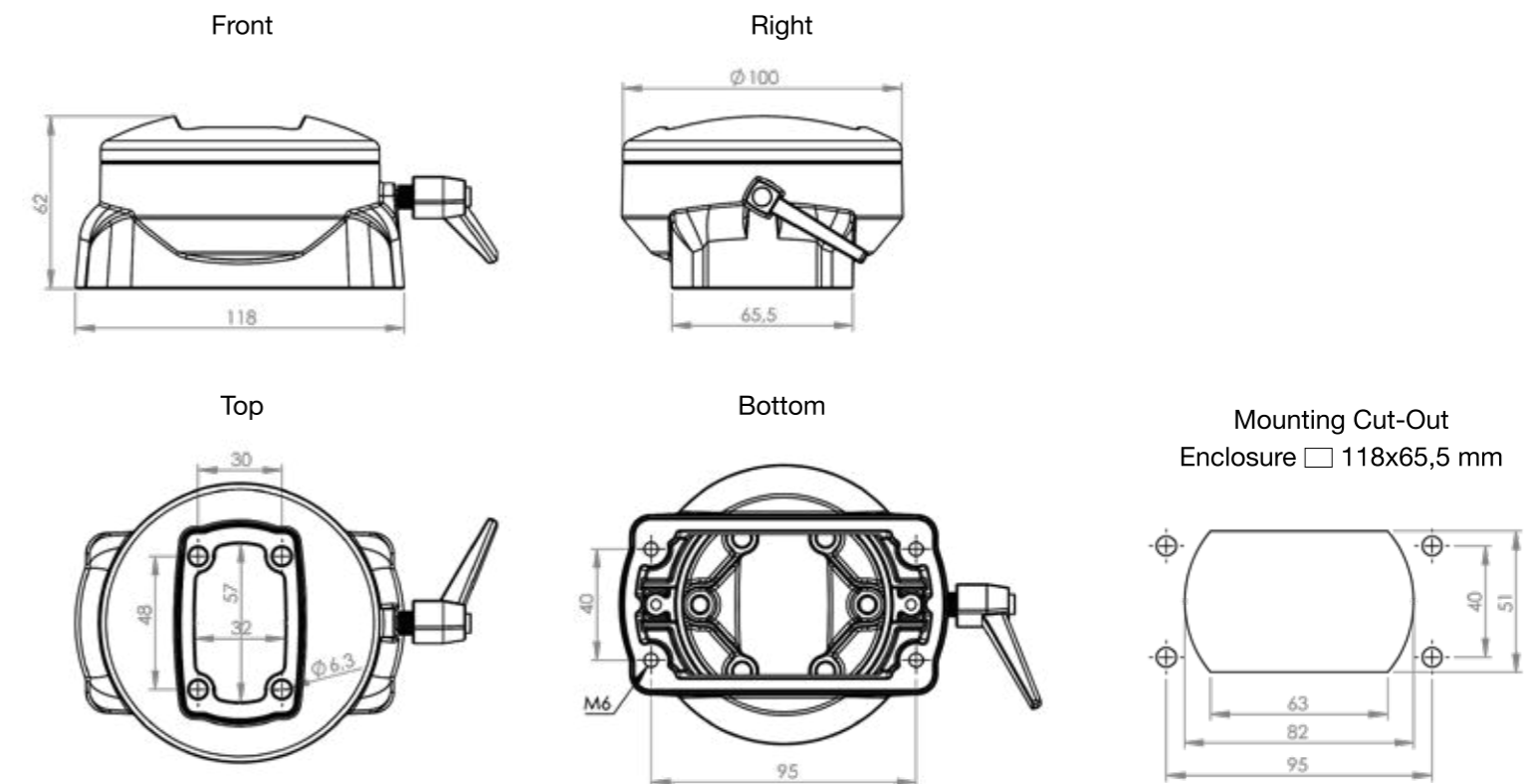


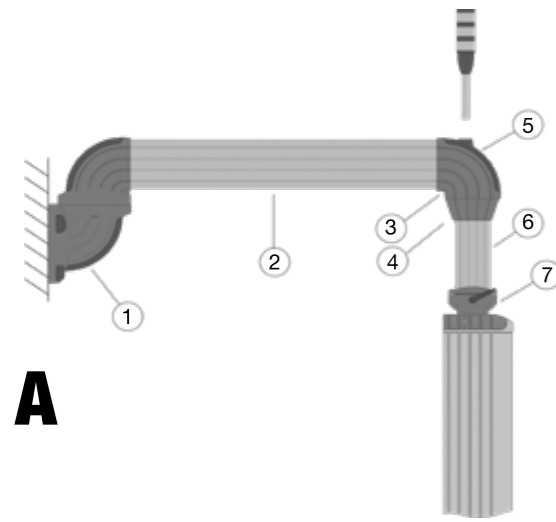
Rotatable Panel Adaptor Vertical

TK045.830 The panel adaptor module provides the connection between the operator panels and the operator handles. The seating surface dimensions of the product are 118x65 and the rotation angle around its axis is 350°. Thanks to the rotation feature of the module itself, the machine operator can position the panel in the direction of its own by turning it to the left and right. This product is designed for low and low weight panel types (for example ECO 090 – ECO 120 panel series applications).



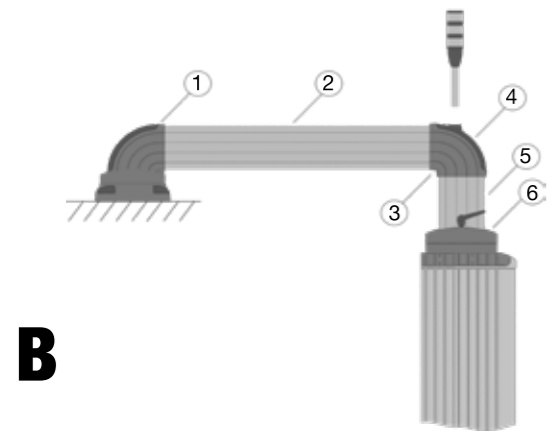
Weight (gr)	Color RAL No	Package	Package Dimension (mm)	Material	Movement
720	RAL 7035	1	135x70x110	Aluminum	Rotatable 310°





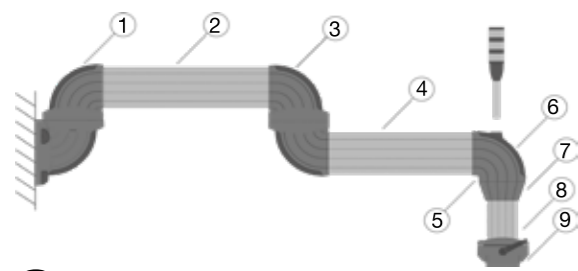
A

1	Rotatable wall mounted hinge horizontal outlet	TK120.700
2	Support arm profile - 750mm	TK120.075
3	90° Angle piece	TK120.420
4	Support arm adaptor 120/060	TK120.820
5	Warning lamp cover	TK120.810
6	Support arm profile - 250mm	TK060.025
7	Rotatable panel adaptor	TK060.830



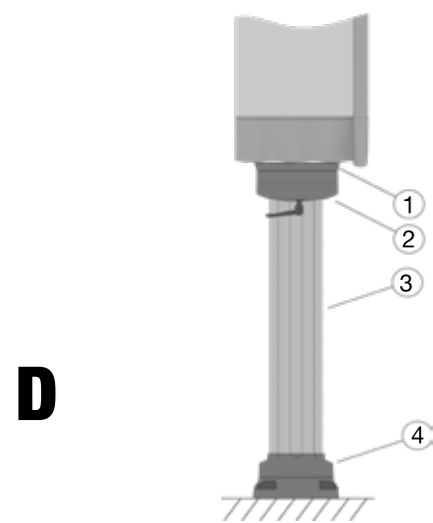
B

1	Rotatable top mounted 90° angle joint	TK120.600
2	Support arm profile - 750mm	TK120.075
3	90° Angle piece	TK120.420
4	Warning lamp cover	TK120.810
5	Support arm profile - 250mm	TK120.025
6	Rotatable panel coupling	TK120.320



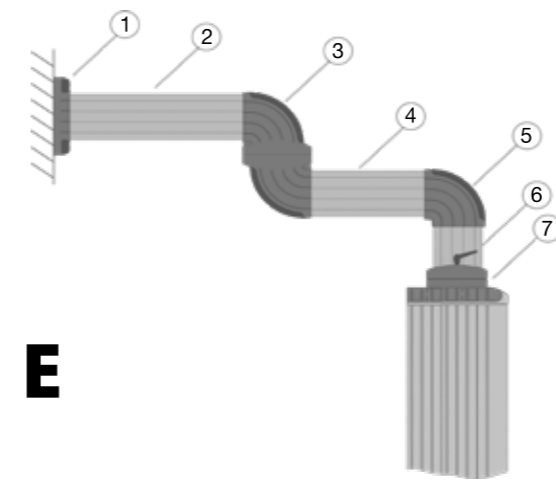
C

1	Rotatable wall mounted hinge horizontal outlet	TK120.700
2	Support arm profile - 500mm	TK120.050
3	Rotatable intermediate hinge	TK120.500
4	Support arm profile - 500mm	TK120.050
5	90° Angle piece	TK120.420
6	Warning lamp cover	TK120.810
7	Support arm adaptor 120/060	TK120.820
8	Support arm profile - 250mm	TK060.025
9	Rotatable panel adaptor	TK060.830



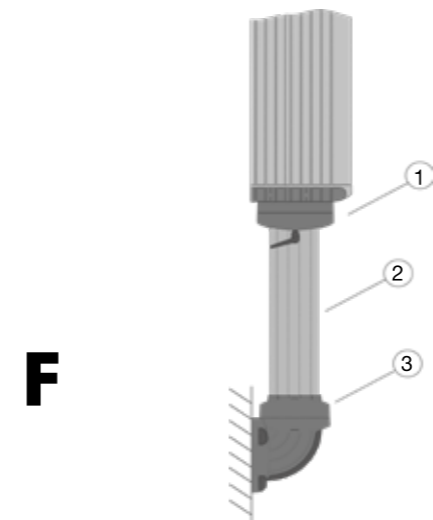
D

1	Ø130 mm TKP200 panel coupling	TK060.315
2	Rotatable panel coupling	TK120.320
3	Support arm profile - 750 mm	TK120.075
4	Rotatable top mounted vertical outlet	TK120.610



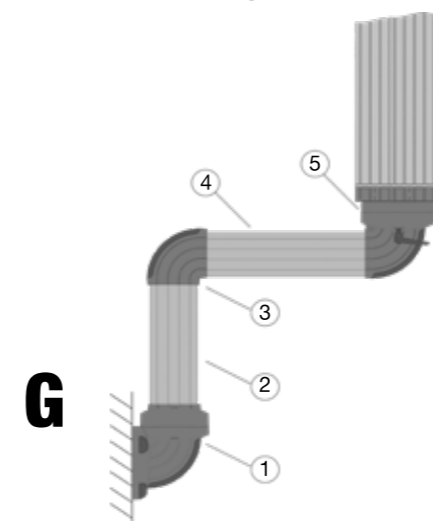
E

1	Wall/Socket mounting bracket	TK120.800
2	Support arm profile - 500mm	TK120.050
3	Rotatable intermediate hinge	TK120.500
4	Support arm profile - 500mm	TK120.050
5	90° Angle piece	TK120.420
6	Support arm profile - 250mm	TK120.025
7	Rotatable panel coupling	TK120.320



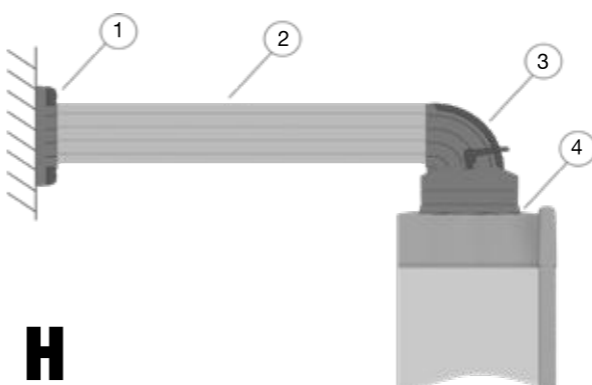
F

1	Rotatable panel coupling	TK120.320
2	Support arm profile - 750mm	TK120.075
3	Rotatable wall mounted hinge vertical outlet	TK120.710



G

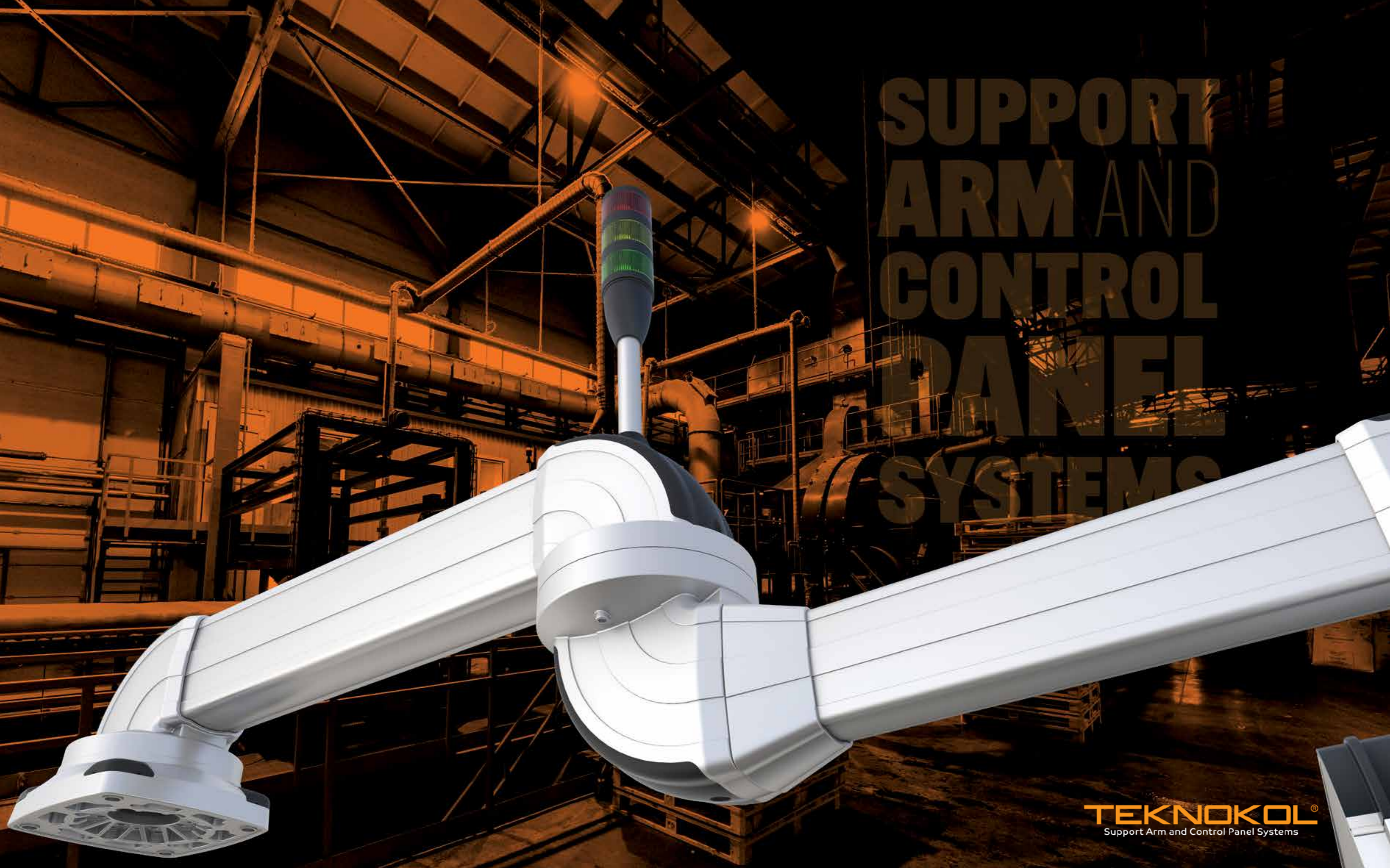
1	Rotatable wall mounted hinge vertical outlet	TK120.710
2	Support arm profile - 500mm	TK120.050
3	90° Angle piece	TK120.420
4	Support arm profile - 500mm	TK120.050
5	Rotatable panel 90° angle coupling	TK120.400



H

1	Wall/Socket mounting bracket	TK120.800
2	Support arm profile - 750 mm	TK120.075
3	Rotatable panel 90° angle coupling	TK120.400
4	Ø130 mm TKP200 panel coupling	TK060.315

SUPPORT ARM AND CONTROL PANEL SYSTEMS





Panel Systems ▶

Eco 6000-0000



Installation Area			Back Area		Installation Depth		Support Arm No TK		Article No
Width (mm)	Height (mm)	Depth (mm)	Hinge	Screw	H profil profile installation platform	Installation Deep (mm)	130 mm Ø	118x65.5mm	Eco
300	300	60	Yes	-	-	60	-	Yes	6000-0004
300	300	60	-	Yes	-	60	-	Yes	6000-0005
300	400	60	Yes	-	-	60	-	Yes	6000-0006
300	400	60	-	Yes	-	60	-	Yes	6000-0007
400	400	60	Yes	-	-	60	-	Yes	6000-0008
400	400	60	-	Yes	-	60	-	Yes	6000-0009
400	500	60	Yes	-	-	60	-	Yes	6000-0010
400	500	60	-	Yes	-	60	-	Yes	6000-0011
500	500	60	Yes	-	-	60	-	Yes	6000-0012
500	500	60	-	Yes	-	60	-	Yes	6000-0013
500	600	60	Yes	-	-	60	-	Yes	6000-0014
500	600	60	-	Yes	-	60	-	Yes	6000-0015
600	600	60	Yes	-	-	60	-	Yes	6000-0016
600	600	60	-	Yes	-	60	-	Yes	6000-0017

** Please contact with us for non-standart panel sizes

Eco 6000-0200



Installation Area			Back Area		Installation Depth		Support Arm No TK		Article No
Width (mm)	Height (mm)	Depth (mm)	Hinge	Screw	H profil profile installation platform	Installation Deep (mm)	130 mm Ø	118x65.5mm	Eco
300	300	60	Yes	-	-	60	-	Yes	6000-0204
300	300	60	-	Yes	-	60	-	Yes	6000-0205
300	400	60	Yes	-	-	60	-	Yes	6000-0206
300	400	60	-	Yes	-	60	-	Yes	6000-0207
400	400	60	Yes	-	-	60	-	Yes	6000-0208
400	400	60	-	Yes	-	60	-	Yes	6000-0209
400	500	60	Yes	-	-	60	-	Yes	6000-0210
400	500	60	-	Yes	-	60	-	Yes	6000-0211
500	500	60	Yes	-	-	60	-	Yes	6000-0212
500	500	60	-	Yes	-	60	-	Yes	6000-0213
500	600	60	Yes	-	-	60	-	Yes	6000-0214
500	600	60	-	Yes	-	60	-	Yes	6000-0215
600	600	60	Yes	-	-	60	-	Yes	6000-0216
600	600	60	-	Yes	-	60	-	Yes	6000-0217

** Please contact with us for non-standart panel sizes

Eco 6000-0100



Installation Area			Back Area		Installation Depth		Support Arm No TK		Article No
Width (mm)	Height (mm)	Depth (mm)	Hinge	Screw	H profil profile installation platform	Installation Deep (mm)	130 mm Ø	118x65.5mm	Eco
300	300	60	Yes	-	-	60	-	Yes	6000-0104
300	300	60	-	Yes	-	60	-	Yes	6000-0105
300	400	60	Yes	-	-	60	-	Yes	6000-0106
300	400	60	-	Yes	-	60	-	Yes	6000-0107
400	400	60	Yes	-	-	60	-	Yes	6000-0108
400	400	60	-	Yes	-	60	-	Yes	6000-0109
400	500	60	Yes	-	-	60	-	Yes	6000-0110
400	500	60	-	Yes	-	60	-	Yes	6000-0111
500	500	60	Yes	-	-	60	-	Yes	6000-0112
500	500	60	-	Yes	-	60	-	Yes	6000-0113
500	600	60	Yes	-	-	60	-	Yes	6000-0114
500	600	60	-	Yes	-	60	-	Yes	6000-0115
600	600	60	Yes	-	-	60	-	Yes	6000-0116
600	600	60	-	Yes	-	60	-	Yes	6000-0117

** Please contact us for further information on customized panel systems dimensions.

Eco 6000-6000



Installation Area			Back Area		Installation Depth		Support Arm No TK		Article No
Width (mm)	Height (mm)	Depth (mm)	Hinge	Screw	H profil profile installation platform	Installation Deep (mm)	130 mm Ø	118x65.5mm	Eco
300	300	60	Yes	-	-	60	-	Yes	6000-6004
300	300	60	-	Yes	-	60	-	Yes	6000-6005
300	400	60	Yes	-	-	60	-	Yes	6000-6006
300	400	60	-	Yes	-	60	-	Yes	6000-6007
400	400	60	Yes	-	-	60	-	Yes	6000-6008
400	400	60	-	Yes	-	60	-	Yes	6000-6009
400	500	60	Yes	-	-	60	-	Yes	6000-6010
400	500	60	-	Yes	-	60	-	Yes	6000-6011
500	500	60	Yes	-	-	60	-	Yes	6000-6012
500	500	60	-	Yes	-	60	-	Yes	6000-6013
500	600	60	Yes	-	-	60	-	Yes	6000-6014
500	600	60	-	Yes	-	60	-	Yes	6000-6015
600	600	60	Yes	-	-	60	-	Yes	6000-6016
600	600	60	-	Yes	-	60	-	Yes	6000-6017

**Please contact with us for keyboard dimensions

Eco 6090-0000



Installation Area			Back Area		Installation Depth		Support Arm No TK		Article No
Width (mm)	Height (mm)	Depth (mm)	Hinge	Screw	H profil profile installation platform	Installation Deep (mm)	130 mm Ø	118x65.5mm	Eco
300	300	150	Yes	-	Yes	127	-	Yes	6090-0004
300	300	150	-	Yes	-	150	-	Yes	6090-0005
300	400	150	Yes	-	Yes	127	-	Yes	6090-0006
300	400	150	-	Yes	-	150	-	Yes	6090-0007
400	400	150	Yes	-	Yes	127	-	Yes	6090-0008
400	400	150	-	Yes	-	150	-	Yes	6090-0009
400	500	150	Yes	-	Yes	127	-	Yes	6090-0010
400	500	150	-	Yes	-	150	-	Yes	6090-0011
500	500	150	Yes	-	Yes	127	-	Yes	6090-0012
500	500	150	-	Yes	-	150	-	Yes	6090-0013
500	600	150	Yes	-	Yes	127	-	Yes	6090-0014
500	600	150	-	Yes	-	150	-	Yes	6090-0015
600	600	150	Yes	-	Yes	127	-	Yes	6090-0016
600	600	150	-	Yes	-	150	-	Yes	6090-0017

** Please contact with us for non-standart panel sizes

Eco 6090-0200



Installation Area			Back Area		Installation Depth		Support Arm No TK		Article No
Width (mm)	Height (mm)	Depth (mm)	Hinge	Screw	H profil profile installation platform	Installation Deep (mm)	130 mm Ø	118x65.5mm	Eco
300	300	150	Yes	-	Yes	127	-	Yes	6090-0204
300	300	150	-	Yes	-	150	-	Yes	6090-0205
300	400	150	Yes	-	Yes	127	-	Yes	6090-0206
300	400	150	-	Yes	-	150	-	Yes	6090-0207
400	400	150	Yes	-	Yes	127	-	Yes	6090-0208
400	400	150	-	Yes	-	150	-	Yes	6090-0209
400	500	150	Yes	-	Yes	127	-	Yes	6090-0210
400	500	150	-	Yes	-	150	-	Yes	6090-0211
500	500	150	Yes	-	Yes	127	-	Yes	6090-0212
500	500	150	-	Yes	-	150	-	Yes	6090-0213
500	600	150	Yes	-	Yes	127	-	Yes	6090-0214
500	600	150	-	Yes	-	150	-	Yes	6090-0215
600	600	150	Yes	-	Yes	127	-	Yes	6090-0216
600	600	150	-	Yes	-	150	-	Yes	6090-0217

** Please contact with us for non-standart panel sizes

Eco 6090-0100



Installation Area			Back Area		Installation Depth		Support Arm No TK		Article No
Width (mm)	Height (mm)	Depth (mm)	Hinge	Screw	H profil profile installation platform	Installation Deep (mm)	130 mm Ø	118x65.5mm	Eco
300	300	150	Yes	-	Yes	127	-	Yes	6090-0104
300	300	150	-	Yes	-	150	-	Yes	6090-0105
300	400	150	Yes	-	Yes	127	-	Yes	6090-0106
300	400	150	-	Yes	-	150	-	Yes	6090-0107
400	400	150	Yes	-	Yes	127	-	Yes	6090-0108
400	400	150	-	Yes	-	150	-	Yes	6090-0109
400	500	150	Yes	-	Yes	127	-	Yes	6090-0110
400	500	150	-	Yes	-	150	-	Yes	6090-0111
500	500	150	Yes	-	Yes	127	-	Yes	6090-0112
500	500	150	-	Yes	-	150	-	Yes	6090-0113
500	600	150	Yes	-	Yes	127	-	Yes	6090-0114
500	600	150	-	Yes	-	150	-	Yes	6090-0115
600	600	150	Yes	-	Yes	127	-	Yes	6090-0116
600	600	150	-	Yes	-	150	-	Yes	6090-0117

** Please contact with us for non-standart panel sizes

Eco 6090-6000



Installation Area			Back Area		Installation Depth		Support Arm No TK		Article No
Width (mm)	Height (mm)	Depth (mm)	Hinge	Screw	H profil profile installation platform	Installation Deep (mm)	130 mm Ø	118x65.5mm	Eco
300	300	150	Yes	-	Yes	127	-	Yes	6090-6004
300	300	150	-	Yes	-	150	-	Yes	6090-6005
300	400	150	Yes	-	Yes	127	-	Yes	6090-6006
300	400	150	-	Yes	-	150	-	Yes	6090-6007
400	400	150	Yes	-	Yes	127	-	Yes	6090-6008
400	400	150	-	Yes	-	150	-	Yes	6090-6009
400	500	150	Yes	-	Yes	127	-	Yes	6090-6010
400	500	150	-	Yes	-	150	-	Yes	6090-6011
500	500	150	Yes	-	Yes	127	-	Yes	6090-6012
500	500	150	-	Yes	-	150	-	Yes	6090-6013
500	600	150	Yes	-	Yes	127	-	Yes	6090-6014
500	600	150	-	Yes	-	150	-	Yes	6090-6015
600	600	150	Yes	-	Yes	127	-	Yes	6090-6016
600	600	150	-	Yes	-	150	-	Yes	6090-6017

*Please contact with us for keyboard dimensions

Eco 6091-0000



Installation Area			Back Area		Installation Depth		Support Arm No TK		Article No
Width (mm)	Height (mm)	Depth (mm)	Hinge	Screw	H profil profile installation platform	Installation Deep (mm)	130 mm Ø	118x65.5mm	Eco
300	300	150	Yes	-	Yes	127	-	Yes	6091-0004
300	300	150	-	Yes	-	150	-	Yes	6091-0005
300	400	150	Yes	-	Yes	127	-	Yes	6091-0006
300	400	150	-	Yes	-	150	-	Yes	6091-0007
400	400	150	Yes	-	Yes	127	-	Yes	6091-0008
400	400	150	-	Yes	-	150	-	Yes	6091-0009
400	500	150	Yes	-	Yes	127	-	Yes	6091-0010
400	500	150	-	Yes	-	150	-	Yes	6091-0011
500	500	150	Yes	-	Yes	127	-	Yes	6091-0012
500	500	150	-	Yes	-	150	-	Yes	6091-0013
500	600	150	Yes	-	Yes	127	-	Yes	6091-0014
500	600	150	-	Yes	-	150	-	Yes	6091-0015
600	600	150	Yes	-	Yes	127	-	Yes	6091-0016
600	600	150	-	Yes	-	150	-	Yes	6091-0017

** Please contact with us for non-standart panel sizes

Eco 6091-0200



Installation Area			Back Area		Installation Depth		Support Arm No TK		Article No
Width (mm)	Height (mm)	Depth (mm)	Hinge	Screw	H profil profile installation platform	Installation Deep (mm)	130 mm Ø	118x65.5mm	Eco
300	300	150	Yes	-	Yes	127	-	Yes	6091-0204
300	300	150	-	Yes	-	150	-	Yes	6091-0205
300	400	150	Yes	-	Yes	127	-	Yes	6091-0206
300	400	150	-	Yes	-	150	-	Yes	6091-0207
400	400	150	Yes	-	Yes	127	-	Yes	6091-0208
400	400	150	-	Yes	-	150	-	Yes	6091-0209
400	500	150	Yes	-	Yes	127	-	Yes	6091-0210
400	500	150	-	Yes	-	150	-	Yes	6091-0211
500	500	150	Yes	-	Yes	127	-	Yes	6091-0212
500	500	150	-	Yes	-	150	-	Yes	6091-0213
500	600	150	Yes	-	Yes	127	-	Yes	6091-0214
500	600	150	-	Yes	-	150	-	Yes	6091-0215
600	600	150	Yes	-	Yes	127	-	Yes	6091-0216
600	600	150	-	Yes	-	150	-	Yes	6091-0217

** Please contact with us for non-standart panel sizes

Eco 6091-0100



Installation Area			Back Area		Installation Depth		Support Arm No TK		Article No
Width (mm)	Height (mm)	Depth (mm)	Hinge	Screw	H profil profile installation platform	Installation Deep (mm)	130 mm Ø	118x65.5mm	Eco
300	300	150	Yes	-	Yes	127	-	Yes	6091-0104
300	300	150	-	Yes	-	150	-	Yes	6091-0105
300	400	150	Yes	-	Yes	127	-	Yes	6091-0106
300	400	150	-	Yes	-	150	-	Yes	6091-0107
400	400	150	Yes	-	Yes	127	-	Yes	6091-0108
400	400	150	-	Yes	-	150	-	Yes	6091-0109
400	500	150	Yes	-	Yes	127	-	Yes	6091-0110
400	500	150	-	Yes	-	150	-	Yes	6091-0111
500	500	150	Yes	-	Yes	127	-	Yes	6091-0112
500	500	150	-	Yes	-	150	-	Yes	6091-0113
500	600	150	Yes	-	Yes	127	-	Yes	6091-0114
500	600	150	-	Yes	-	150	-	Yes	6091-0115
600	600	150	Yes	-	Yes	127	-	Yes	6091-0116
600	600	150	-	Yes	-	150	-	Yes	6091-0117

** Please contact with us for non-standart panel sizes

Eco 6091-6000



Installation Area			Back Area		Installation Depth		Support Arm No TK		Article No
Width (mm)	Height (mm)	Depth (mm)	Hinge	Screw	H profil profile installation platform	Installation Deep (mm)	130 mm Ø	118x65.5mm	Eco
300	300	150	Yes	-	Yes	127	-	Yes	6091-6004
300	300	150	-	Yes	-	150	-	Yes	6091-6005
300	400	150	Yes	-	Yes	127	-	Yes	6091-6006
300	400	150	-	Yes	-	150	-	Yes	6091-6007
400	400	150	Yes	-	Yes	127	-	Yes	6091-6008
400	400	150	-	Yes	-	150	-	Yes	6091-6009
400	500	150	Yes	-	Yes	127	-	Yes	6091-6010
400	500	150	-	Yes	-	150	-	Yes	6091-6011
500	500	150	Yes	-	Yes	127	-	Yes	6091-6012
500	500	150	-	Yes	-	150	-	Yes	6091-6013
500	600	150	Yes	-	Yes	127	-	Yes	6091-6014
500	600	150	-	Yes	-	150	-	Yes	6091-6015
600	600	150	Yes	-	Yes	127	-	Yes	6091-6016
600	600	150	-	Yes	-	150	-	Yes	6091-6017

**Please contact with us for keyboard dimensions

Eco 9000-0000



Installation Area			Back Area		Installation Depth		Support Arm No TK		Article No
Width (mm)	Height (mm)	Depth (mm)	Hinge	Screw	H profil profile installation platform	Installation Deep (mm)	130 mm Ø	118x65.5mm	Eco
300	300	90	Yes	-	Yes	67	-	Yes	9000-0004
300	300	90	-	Yes	-	90	-	Yes	9000-0005
300	400	90	Yes	-	Yes	67	-	Yes	9000-0006
300	400	90	-	Yes	-	90	-	Yes	9000-0007
400	400	90	Yes	-	Yes	67	-	Yes	9000-0008
400	400	90	-	Yes	-	90	-	Yes	9000-0009
400	500	90	Yes	-	Yes	67	-	Yes	9000-0010
400	500	90	-	Yes	-	90	-	Yes	9000-0011
500	500	90	Yes	-	Yes	67	-	Yes	9000-0012
500	500	90	-	Yes	-	90	-	Yes	9000-0013
500	600	90	Yes	-	Yes	67	-	Yes	9000-0014
500	600	90	-	Yes	-	90	-	Yes	9000-0015
600	600	90	Yes	-	Yes	67	-	Yes	9000-0016
600	600	90	-	Yes	-	90	-	Yes	9000-0017

** Please contact with us for non-standart panel sizes

Eco 9000-0200



Installation Area			Back Area		Installation Depth		Support Arm No TK		Article No
Width (mm)	Height (mm)	Depth (mm)	Hinge	Screw	H profil profile installation platform	Installation Deep (mm)	130 mm Ø	118x65.5mm	Eco
300	300	90	Yes	-	Yes	67	-	Yes	9000-0204
300	300	90	-	Yes	-	90	-	Yes	9000-0205
300	400	90	Yes	-	Yes	67	-	Yes	9000-0206
300	400	90	-	Yes	-	90	-	Yes	9000-0207
400	400	90	Yes	-	Yes	67	-	Yes	9000-0208
400	400	90	-	Yes	-	90	-	Yes	9000-0209
400	500	90	Yes	-	Yes	67	-	Yes	9000-0210
400	500	90	-	Yes	-	90	-	Yes	9000-0211
500	500	90	Yes	-	Yes	67	-	Yes	9000-0212
500	500	90	-	Yes	-	90	-	Yes	9000-0213
500	600	90	Yes	-	Yes	67	-	Yes	9000-0214
500	600	90	-	Yes	-	90	-	Yes	9000-0215
600	600	90	Yes	-	Yes	67	-	Yes	9000-0216
600	600	90	-	Yes	-	90	-	Yes	9000-0217

** Please contact with us for non-standart panel sizes

Eco 9000-0100



Installation Area			Back Area		Installation Depth		Support Arm No TK		Article No
Width (mm)	Height (mm)	Depth (mm)	Hinge	Screw	H profil profile installation platform	Installation Deep (mm)	130 mm Ø	118x65.5mm	Eco
300	300	90	Yes	-	Yes	67	-	Yes	9000-0104
300	300	90	-	Yes	-	90	-	Yes	9000-0105
300	400	90	Yes	-	Yes	67	-	Yes	9000-0106
300	400	90	-	Yes	-	90	-	Yes	9000-0107
400	400	90	Yes	-	Yes	67	-	Yes	9000-0108
400	400	90	-	Yes	-	90	-	Yes	9000-0109
400	500	90	Yes	-	Yes	67	-	Yes	9000-0110
400	500	90	-	Yes	-	90	-	Yes	9000-0111
500	500	90	Yes	-	Yes	67	-	Yes	9000-0112
500	500	90	-	Yes	-	90	-	Yes	9000-0113
500	600	90	Yes	-	Yes	67	-	Yes	9000-0114
500	600	90	-	Yes	-	90	-	Yes	9000-0115
600	600	90	Yes	-	Yes	67	-	Yes	9000-0116
600	600	90	-	Yes	-	90	-	Yes	9000-0117

** Please contact with us for non-standart panel sizes

Eco 9000-6000



Installation Area			Back Area		Installation Depth		Support Arm No TK		Article No
Width (mm)	Height (mm)	Depth (mm)	Hinge	Screw	H profil profile installation platform	Installation Deep (mm)	130 mm Ø	118x65.5mm	Eco
300	300	90	Yes	-	Yes	67	-	Yes	9000-6004
300	300	90	-	Yes	-	90	-	Yes	9000-6005
300	400	90	Yes	-	Yes	67	-	Yes	9000-6006
300	400	90	-	Yes	-	90	-	Yes	9000-6007
400	400	90	Yes	-	Yes	67	-	Yes	9000-6008
400	400	90	-	Yes	-	90	-	Yes	9000-6009
400	500	90	Yes	-	Yes	67	-	Yes	9000-6010
400	500	90	-	Yes	-	90	-	Yes	9000-6011
500	500	90	Yes	-	Yes	67	-	Yes	9000-6012
500	500	90	-	Yes	-	90	-	Yes	9000-6013
500	600	90	Yes	-	Yes	67	-	Yes	9000-6014
500	600	90	-	Yes	-	90	-	Yes	9000-6015
600	600	90	Yes	-	Yes	67	-	Yes	9000-6016
600	600	90	-	Yes	-	90	-	Yes	9000-6017

**Please contact with us for keyboard dimensions

Eco 9090-0000



Installation Area			Back Area		Installation Depth		Support Arm No TK		Article No
Width (mm)	Height (mm)	Depth (mm)	Hinge	Screw	H profil profile installation platform	Installation Deep (mm)	130 mm Ø	118x65.5mm	Eco
300	300	180	Yes	-	Yes	157	-	Yes	9090-0004
300	300	180	-	Yes	-	180	-	Yes	9090-0005
300	400	180	Yes	-	Yes	157	-	Yes	9090-0006
300	400	180	-	Yes	-	180	-	Yes	9090-0007
400	400	180	Yes	-	Yes	157	-	Yes	9090-0008
400	400	180	-	Yes	-	180	-	Yes	9090-0009
400	500	180	Yes	-	Yes	157	-	Yes	9090-0010
400	500	180	-	Yes	-	180	-	Yes	9090-0011
500	500	180	Yes	-	Yes	157	-	Yes	9090-0012
500	500	180	-	Yes	-	180	-	Yes	9090-0013
500	600	180	Yes	-	Yes	157	-	Yes	9090-0014
500	600	180	-	Yes	-	180	-	Yes	9090-0015
600	600	180	Yes	-	Yes	157	-	Yes	9090-0016
600	600	180	-	Yes	-	180	-	Yes	9090-0017

** Please contact with us for non-standart panel sizes

Eco 9090-0200



Installation Area			Back Area		Installation Depth		Support Arm No TK		Article No
Width (mm)	Height (mm)	Depth (mm)	Hinge	Screw	H profil profile installation platform	Installation Deep (mm)	130 mm Ø	118x65.5mm	Eco
300	300	180	Yes	-	Yes	157	-	Yes	9090-0204
300	300	180	-	Yes	-	180	-	Yes	9090-0205
300	400	180	Yes	-	Yes	157	-	Yes	9090-0206
300	400	180	-	Yes	-	180	-	Yes	9090-0207
400	400	180	Yes	-	Yes	157	-	Yes	9090-0208
400	400	180	-	Yes	-	180	-	Yes	9090-0209
400	500	180	Yes	-	Yes	157	-	Yes	9090-0210
400	500	180	-	Yes	-	180	-	Yes	9090-0211
500	500	180	Yes	-	Yes	157	-	Yes	9090-0212
500	500	180	-	Yes	-	180	-	Yes	9090-0213
500	600	180	Yes	-	Yes	157	-	Yes	9090-0214
500	600	180	-	Yes	-	180	-	Yes	9090-0215
600	600	180	Yes	-	Yes	157	-	Yes	9090-0216
600	600	180	-	Yes	-	180	-	Yes	9090-0217

** Please contact with us for non-standart panel sizes

Eco 9090-0100



Installation Area			Back Area		Installation Depth		Support Arm No TK		Article No
Width (mm)	Height (mm)	Depth (mm)	Hinge	Screw	H profil profile installation platform	Installation Deep (mm)	130 mm Ø	118x65.5mm	Eco
300	300	180	Yes	-	Yes	157	-	Yes	9090-0104
300	300	180	-	Yes	-	180	-	Yes	9090-0105
300	400	180	Yes	-	Yes	157	-	Yes	9090-0106
300	400	180	-	Yes	-	180	-	Yes	9090-0107
400	400	180	Yes	-	Yes	157	-	Yes	9090-0108
400	400	180	-	Yes	-	180	-	Yes	9090-0109
400	500	180	Yes	-	Yes	157	-	Yes	9090-0110
400	500	180	-	Yes	-	180	-	Yes	9090-0111
500	500	180	Yes	-	Yes	157	-	Yes	9090-0112
500	500	180	-	Yes	-	180	-	Yes	9090-0113
500	600	180	Yes	-	Yes	157	-	Yes	9090-0114
500	600	180	-	Yes	-	180	-	Yes	9090-0115
600	600	180	Yes	-	Yes	157	-	Yes	9090-0116
600	600	180	-	Yes	-	180	-	Yes	9090-0117

** Please contact with us for non-standart panel sizes

Eco 9090-6000



Installation Area			Back Area		Installation Depth		Support Arm No TK		Article No
Width (mm)	Height (mm)	Depth (mm)	Hinge	Screw	H profil profile installation platform	Installation Deep (mm)	130 mm Ø	118x65.5mm	Eco
300	300	180	Yes	-	Yes	157	-	Yes	9090-6004
300	300	180	-	Yes	-	180	-	Yes	9090-6005
300	400	180	Yes	-	Yes	157	-	Yes	9090-6006
300	400	180	-	Yes	-	180	-	Yes	9090-6007
400	400	180	Yes	-	Yes	157	-	Yes	9090-6008
400	400	180	-	Yes	-	180	-	Yes	9090-6009
400	500	180	Yes	-	Yes	157	-	Yes	9090-6010
400	500	180	-	Yes	-	180	-	Yes	9090-6011
500	500	180	Yes	-	Yes	157	-	Yes	9090-6012
500	500	180	-	Yes	-	180	-	Yes	9090-6013
500	600	180	Yes	-	Yes	157	-	Yes	9090-6014
500	600	180	-	Yes	-	180	-	Yes	9090-6015
600	600	180	Yes	-	Yes	157	-	Yes	9090-6016
600	600	180	-	Yes	-	180	-	Yes	9090-6017

**Please contact with us for keyboard dimensions

Eco 9091-0000



Installation Area			Back Area		Installation Depth		Support Arm No TK		Article No
Width (mm)	Height (mm)	Depth (mm)	Hinge	Screw	H profil profile installation platform	Installation Deep (mm)	130 mm Ø	118x65.5mm	Eco
300	300	180	Yes	-	Yes	157	-	Yes	9091-0004
300	300	180	-	Yes	-	180	-	Yes	9091-0005
300	400	180	Yes	-	Yes	157	-	Yes	9091-0006
300	400	180	-	Yes	-	180	-	Yes	9091-0007
400	400	180	Yes	-	Yes	157	-	Yes	9091-0008
400	400	180	-	Yes	-	180	-	Yes	9091-0009
400	500	180	Yes	-	Yes	157	-	Yes	9091-0010
400	500	180	-	Yes	-	180	-	Yes	9091-0011
500	500	180	Yes	-	Yes	157	-	Yes	9091-0012
500	500	180	-	Yes	-	180	-	Yes	9091-0013
500	600	180	Yes	-	Yes	157	-	Yes	9091-0014
500	600	180	-	Yes	-	180	-	Yes	9091-0015
600	600	180	Yes	-	Yes	157	-	Yes	9091-0016
600	600	180	-	Yes	-	180	-	Yes	9091-0017

** Please contact with us for non-standart panel sizes

Eco 9091-0200



Installation Area			Back Area		Installation Depth		Support Arm No TK		Article No
Width (mm)	Height (mm)	Depth (mm)	Hinge	Screw	H profil profile installation platform	Installation Deep (mm)	130 mm Ø	118x65.5mm	Eco
300	300	180	Yes	-	Yes	157	-	Yes	9091-0204
300	300	180	-	Yes	-	180	-	Yes	9091-0205
300	400	180	Yes	-	Yes	157	-	Yes	9091-0206
300	400	180	-	Yes	-	180	-	Yes	9091-0207
400	400	180	Yes	-	Yes	157	-	Yes	9091-0208
400	400	180	-	Yes	-	180	-	Yes	9091-0209
400	500	180	Yes	-	Yes	157	-	Yes	9091-0210
400	500	180	-	Yes	-	180	-	Yes	9091-0211
500	500	180	Yes	-	Yes	157	-	Yes	9091-0212
500	500	180	-	Yes	-	180	-	Yes	9091-0213
500	600	180	Yes	-	Yes	157	-	Yes	9091-0214
500	600	180	-	Yes	-	180	-	Yes	9091-0215
600	600	180	Yes	-	Yes	157	-	Yes	9091-0216
600	600	180	-	Yes	-	180	-	Yes	9091-0217

** Please contact with us for non-standart panel sizes

Eco 9091-0100



Installation Area			Back Area		Installation Depth		Support Arm No TK		Article No
Width (mm)	Height (mm)	Depth (mm)	Hinge	Screw	H profil profile installation platform	Installation Deep (mm)	130 mm Ø	118x65.5mm	Eco
300	300	180	Yes	-	Yes	157	-	Yes	9091-0104
300	300	180	-	Yes	-	180	-	Yes	9091-0105
300	400	180	Yes	-	Yes	157	-	Yes	9091-0106
300	400	180	-	Yes	-	180	-	Yes	9091-0107
400	400	180	Yes	-	Yes	157	-	Yes	9091-0108
400	400	180	-	Yes	-	180	-	Yes	9091-0109
400	500	180	Yes	-	Yes	157	-	Yes	9091-0110
400	500	180	-	Yes	-	180	-	Yes	9091-0111
500	500	180	Yes	-	Yes	157	-	Yes	9091-0112
500	500	180	-	Yes	-	180	-	Yes	9091-0113
500	600	180	Yes	-	Yes	157	-	Yes	9091-0114
500	600	180	-	Yes	-	180	-	Yes	9091-0115
600	600	180	Yes	-	Yes	157	-	Yes	9091-0116
600	600	180	-	Yes	-	180	-	Yes	9091-0117

** Please contact with us for non-standart panel sizes

Eco 9091-6000



Installation Area			Back Area		Installation Depth		Support Arm No TK		Article No
Width (mm)	Height (mm)	Depth (mm)	Hinge	Screw	H profil profile installation platform	Installation Deep (mm)	130 mm Ø	118x65.5mm	Eco
300	300	180	Yes	-	Yes	157	-	Yes	9091-6004
300	300	180	-	Yes	-	180	-	Yes	9091-6005
300	400	180	Yes	-	Yes	157	-	Yes	9091-6006
300	400	180	-	Yes	-	180	-	Yes	9091-6007
400	400	180	Yes	-	Yes	157	-	Yes	9091-6008
400	400	180	-	Yes	-	180	-	Yes	9091-6009
400	500	180	Yes	-	Yes	157	-	Yes	9091-6010
400	500	180	-	Yes	-	180	-	Yes	9091-6011
500	500	180	Yes	-	Yes	157	-	Yes	9091-6012
500	500	180	-	Yes	-	180	-	Yes	9091-6013
500	600	180	Yes	-	Yes	157	-	Yes	9091-6014
500	600	180	-	Yes	-	180	-	Yes	9091-6015
600	600	180	Yes	-	Yes	157	-	Yes	9091-6016
600	600	180	-	Yes	-	180	-	Yes	9091-6017

**Please contact with us for keyboard dimensions

Eco 1200-0000



Installation Area			Back Area		Installation Depth		Support Arm No TK		Article No
Width (mm)	Height (mm)	Depth (mm)	Hinge	Screw	H profil profile installation platform	Installation Deep (mm)	130 mm Ø	118x65.5mm	Eco
300	300	120	Yes	-	Yes	97	-	Yes	1200-0004
300	300	120	-	Yes	-	120	-	Yes	1200-0005
300	400	120	Yes	-	Yes	97	-	Yes	1200-0006
300	400	120	-	Yes	-	120	-	Yes	1200-0007
400	400	120	Yes	-	Yes	97	-	Yes	1200-0008
400	400	120	-	Yes	-	120	-	Yes	1200-0009
400	500	120	Yes	-	Yes	97	-	Yes	1200-0010
400	500	120	-	Yes	-	120	-	Yes	1200-0011
500	500	120	Yes	-	Yes	97	-	Yes	1200-0012
500	500	120	-	Yes	-	120	-	Yes	1200-0013
500	600	120	Yes	-	Yes	97	-	Yes	1200-0014
500	600	120	-	Yes	-	120	-	Yes	1200-0015
600	600	120	Yes	-	Yes	97	-	Yes	1200-0016
600	600	120	-	Yes	-	120	-	Yes	1200-0017

** Please contact with us for non-standart panel sizes

Eco 1200-0200



Installation Area			Back Area		Installation Depth		Support Arm No TK		Article No
Width (mm)	Height (mm)	Depth (mm)	Hinge	Screw	H profil profile installation platform	Installation Deep (mm)	130 mm Ø	118x65.5mm	Eco
300	300	120	Yes	-	Yes	97	-	Yes	1200-0204
300	300	120	-	Yes	-	120	-	Yes	1200-0205
300	400	120	Yes	-	Yes	97	-	Yes	1200-0206
300	400	120	-	Yes	-	120	-	Yes	1200-0207
400	400	120	Yes	-	Yes	97	-	Yes	1200-0208
400	400	120	-	Yes	-	120	-	Yes	1200-0209
400	500	120	Yes	-	Yes	97	-	Yes	1200-0210
400	500	120	-	Yes	-	120	-	Yes	1200-0211
500	500	120	Yes	-	Yes	97	-	Yes	1200-0212
500	500	120	-	Yes	-	120	-	Yes	1200-0213
500	600	120	Yes	-	Yes	97	-	Yes	1200-0214
500	600	120	-	Yes	-	120	-	Yes	1200-0215
600	600	120	Yes	-	Yes	97	-	Yes	1200-0216
600	600	120	-	Yes	-	120	-	Yes	1200-0217

** Please contact with us for non-standart panel sizes

Eco 1200-0100



Installation Area			Back Area		Installation Depth		Support Arm No TK		Article No
Width (mm)	Height (mm)	Depth (mm)	Hinge	Screw	H profil profile installation platform	Installation Deep (mm)	130 mm Ø	118x65.5mm	Eco
300	300	120	Yes	-	Yes	97	-	Yes	1200-0104
300	300	120	-	Yes	-	120	-	Yes	1200-0105
300	400	120	Yes	-	Yes	97	-	Yes	1200-0106
300	400	120	-	Yes	-	120	-	Yes	1200-0107
400	400	120	Yes	-	Yes	97	-	Yes	1200-0108
400	400	120	-	Yes	-	120	-	Yes	1200-0109
400	500	120	Yes	-	Yes	97	-	Yes	1200-0110
400	500	120	-	Yes	-	120	-	Yes	1200-0111
500	500	120	Yes	-	Yes	97	-	Yes	1200-0112
500	500	120	-	Yes	-	120	-	Yes	1200-0113
500	600	120	Yes	-	Yes	97	-	Yes	1200-0114
500	600	120	-	Yes	-	120	-	Yes	1200-0115
600	600	120	Yes	-	Yes	97	-	Yes	1200-0116
600	600	120	-	Yes	-	120	-	Yes	1200-0117

** Please contact with us for non-standart panel sizes

Eco 1200-9000



Installation Area			Back Area		Installation Depth		Support Arm No TK		Article No
Width (mm)	Height (mm)	Depth (mm)	Hinge	Screw	H profil profile installation platform	Installation Deep (mm)	130 mm Ø	118x65.5mm	Eco
300	300	120	Yes	-	Yes	97	-	Yes	1200-9004
300	300	120	-	Yes	-	120	-	Yes	1200-9005
300	400	120	Yes	-	Yes	97	-	Yes	1200-9006
300	400	120	-	Yes	-	120	-	Yes	1200-9007
400	400	120	Yes	-	Yes	97	-	Yes	1200-9008
400	400	120	-	Yes	-	120	-	Yes	1200-9009
400	500	120	Yes	-	Yes	97	-	Yes	1200-9010
400	500	120	-	Yes	-	120	-	Yes	1200-9011
500	500	120	Yes	-	Yes	97	-	Yes	1200-9012
500	500	120	-	Yes	-	120	-	Yes	1200-9013
500	600	120	Yes	-	Yes	97	-	Yes	1200-9014
500	600	120	-	Yes	-	120	-	Yes	1200-9015
600	600	120	Yes	-	Yes	97	-	Yes	1200-9016
600	600	120	-	Yes	-	120	-	Yes	1200-9017

**Please contact with us for keyboard dimensions

Eco 1290-0000



Installation Area			Back Area		Installation Depth		Support Arm No TK		Article No
Width (mm)	Height (mm)	Depth (mm)	Hinge	Screw	H profil profile installation platform	Installation Deep (mm)	130 mm Ø	118x65.5mm	Eco
300	300	210	Yes	-	Yes	187	-	Yes	1290-0004
300	300	210	-	Yes	-	210	-	Yes	1290-0005
300	400	210	Yes	-	Yes	187	-	Yes	1290-0006
300	400	210	-	Yes	-	210	-	Yes	1290-0007
400	400	210	Yes	-	Yes	187	-	Yes	1290-0008
400	400	210	-	Yes	-	210	-	Yes	1290-0009
400	500	210	Yes	-	Yes	187	-	Yes	1290-0010
400	500	210	-	Yes	-	210	-	Yes	1290-0011
500	500	210	Yes	-	Yes	187	-	Yes	1290-0012
500	500	210	-	Yes	-	210	-	Yes	1290-0013
500	600	210	Yes	-	Yes	187	-	Yes	1290-0014
500	600	210	-	Yes	-	210	-	Yes	1290-0015
600	600	210	Yes	-	Yes	187	-	Yes	1290-0016
600	600	210	-	Yes	-	210	-	Yes	1290-0017

** Please contact with us for non-standart panel sizes

Eco 1290-0200



Installation Area			Back Area		Installation Depth		Support Arm No TK		Article No
Width (mm)	Height (mm)	Depth (mm)	Hinge	Screw	H profil profile installation platform	Installation Deep (mm)	130 mm Ø	118x65.5mm	Eco
300	300	210	Yes	-	Yes	187	-	Yes	1290-0204
300	300	210	-	Yes	-	210	-	Yes	1290-0205
300	400	210	Yes	-	Yes	187	-	Yes	1290-0206
300	400	210	-	Yes	-	210	-	Yes	1290-0207
400	400	210	Yes	-	Yes	187	-	Yes	1290-0208
400	400	210	-	Yes	-	210	-	Yes	1290-0209
400	500	210	Yes	-	Yes	187	-	Yes	1290-0210
400	500	210	-	Yes	-	210	-	Yes	1290-0211
500	500	210	Yes	-	Yes	187	-	Yes	1290-0212
500	500	210	-	Yes	-	210	-	Yes	1290-0213
500	600	210	Yes	-	Yes	187	-	Yes	1290-0214
500	600	210	-	Yes	-	210	-	Yes	1290-0215
600	600	210	Yes	-	Yes	187	-	Yes	1290-0216
600	600	210	-	Yes	-	210	-	Yes	1290-0217

** Please contact with us for non-standart panel sizes

Eco 1290-0100



Installation Area			Back Area		Installation Depth		Support Arm No TK		Article No
Width (mm)	Height (mm)	Depth (mm)	Hinge	Screw	H profil profile installation platform	Installation Deep (mm)	130 mm Ø	118x65.5mm	Eco
300	300	210	Yes	-	Yes	187	-	Yes	1290-0104
300	300	210	-	Yes	-	210	-	Yes	1290-0105
300	400	210	Yes	-	Yes	187	-	Yes	1290-0106
300	400	210	-	Yes	-	210	-	Yes	1290-0107
400	400	210	Yes	-	Yes	187	-	Yes	1290-0108
400	400	210	-	Yes	-	210	-	Yes	1290-0109
400	500	210	Yes	-	Yes	187	-	Yes	1290-0110
400	500	210	-	Yes	-	210	-	Yes	1290-0111
500	500	210	Yes	-	Yes	187	-	Yes	1290-0112
500	500	210	-	Yes	-	210	-	Yes	1290-0113
500	600	210	Yes	-	Yes	187	-	Yes	1290-0114
500	600	210	-	Yes	-	210	-	Yes	1290-0115
600	600	210	Yes	-	Yes	187	-	Yes	1290-0116
600	600	210	-	Yes	-	210	-	Yes	1290-0117

** Please contact with us for non-standart panel sizes

Eco 1290-9000



Installation Area			Back Area		Installation Depth		Support Arm No TK		Article No
Width (mm)	Height (mm)	Depth (mm)	Hinge	Screw	H profil profile installation platform	Installation Deep (mm)	130 mm Ø	118x65.5mm	Eco
300	300	210	Yes	-	Yes	187	-	Yes	1290-9004
300	300	210	-	Yes	-	210	-	Yes	1290-9005
300	400	210	Yes	-	Yes	187	-	Yes	1290-9006
300	400	210	-	Yes	-	210	-	Yes	1290-9007
400	400	210	Yes	-	Yes	187	-	Yes	1290-9008
400	400	210	-	Yes	-	210	-	Yes	1290-9009
400	500	210	Yes	-	Yes	187	-	Yes	1290-9010
400	500	210	-	Yes	-	210	-	Yes	1290-9011
500	500	210	Yes	-	Yes	187	-	Yes	1290-9012
500	500	210	-	Yes	-	210	-	Yes	1290-9013
500	600	210	Yes	-	Yes	187	-	Yes	1290-9014
500	600	210	-	Yes	-	210	-	Yes	1290-9015
600	600	210	Yes	-	Yes	187	-	Yes	1290-9016
600	600	210	-	Yes	-	210	-	Yes	1290-9017

*Please contact with us for keyboard dimensions

Eco 1291-0000



Installation Area			Back Area		Installation Depth		Support Arm No TK		Article No
Width (mm)	Height (mm)	Depth (mm)	Hinge	Screw	H profil profile installation platform	Installation Deep (mm)	130 mm Ø	118x65.5mm	Eco
300	300	210	Yes	-	Yes	187	-	Yes	1291-0004
300	300	210	-	Yes	-	210	-	Yes	1291-0005
300	400	210	Yes	-	Yes	187	-	Yes	1291-0006
300	400	210	-	Yes	-	210	-	Yes	1291-0007
400	400	210	Yes	-	Yes	187	-	Yes	1291-0008
400	400	210	-	Yes	-	210	-	Yes	1291-0009
400	500	210	Yes	-	Yes	187	-	Yes	1291-0010
400	500	210	-	Yes	-	210	-	Yes	1291-0011
500	500	210	Yes	-	Yes	187	-	Yes	1291-0012
500	500	210	-	Yes	-	210	-	Yes	1291-0013
500	600	210	Yes	-	Yes	187	-	Yes	1291-0014
500	600	210	-	Yes	-	210	-	Yes	1291-0015
600	600	210	Yes	-	Yes	187	-	Yes	1291-0016
600	600	210	-	Yes	-	210	-	Yes	1291-0017

** Please contact with us for non-standart panel sizes

Eco 1291-0200



Installation Area			Back Area		Installation Depth		Support Arm No TK		Article No
Width (mm)	Height (mm)	Depth (mm)	Hinge	Screw	H profil profile installation platform	Installation Deep (mm)	130 mm Ø	118x65.5mm	Eco
300	300	210	Yes	-	Yes	187	-	Yes	1291-0204
300	300	210	-	Yes	-	210	-	Yes	1291-0205
300	400	210	Yes	-	Yes	187	-	Yes	1291-0206
300	400	210	-	Yes	-	210	-	Yes	1291-0207
400	400	210	Yes	-	Yes	187	-	Yes	1291-0208
400	400	210	-	Yes	-	210	-	Yes	1291-0209
400	500	210	Yes	-	Yes	187	-	Yes	1291-0210
400	500	210	-	Yes	-	210	-	Yes	1291-0211
500	500	210	Yes	-	Yes	187	-	Yes	1291-0212
500	500	210	-	Yes	-	210	-	Yes	1291-0213
500	600	210	Yes	-	Yes	187	-	Yes	1291-0214
500	600	210	-	Yes	-	210	-	Yes	1291-0215
600	600	210	Yes	-	Yes	187	-	Yes	1291-0216
600	600	210	-	Yes	-	210	-	Yes	1291-0217

** Please contact with us for non-standart panel sizes

Eco 1291-0100



Installation Area			Back Area		Installation Depth		Support Arm No TK		Article No
Width (mm)	Height (mm)	Depth (mm)	Hinge	Screw	H profil profile installation platform	Installation Deep (mm)	130 mm Ø	118x65.5mm	Eco
300	300	210	Yes	-	Yes	187	-	Yes	1291-0104
300	300	210	-	Yes	-	210	-	Yes	1291-0105
300	400	210	Yes	-	Yes	187	-	Yes	1291-0106
300	400	210	-	Yes	-	210	-	Yes	1291-0107
400	400	210	Yes	-	Yes	187	-	Yes	1291-0108
400	400	210	-	Yes	-	210	-	Yes	1291-0109
400	500	210	Yes	-	Yes	187	-	Yes	1291-0110
400	500	210	-	Yes	-	210	-	Yes	1291-0111
500	500	210	Yes	-	Yes	187	-	Yes	1291-0112
500	500	210	-	Yes	-	210	-	Yes	1291-0113
500	600	210	Yes	-	Yes	187	-	Yes	1291-0114
500	600	210	-	Yes	-	210	-	Yes	1291-0115
600	600	210	Yes	-	Yes	187	-	Yes	1291-0116
600	600	210	-	Yes	-	210	-	Yes	1291-0117

** Please contact with us for non-standart panel sizes

Eco 1291-9000



Installation Area			Back Area		Installation Depth		Support Arm No TK		Article No
Width (mm)	Height (mm)	Depth (mm)	Hinge	Screw	H profil profile installation platform	Installation Deep (mm)	130 mm Ø	118x65.5mm	Eco
300	300	210	Yes	-	Yes	187	-	Yes	1291-9004
300	300	210	-	Yes	-	210	-	Yes	1291-9005
300	400	210	Yes	-	Yes	187	-	Yes	1291-9006
300	400	210	-	Yes	-	210	-	Yes	1291-9007
400	400	210	Yes	-	Yes	187	-	Yes	1291-9008
400	400	210	-	Yes	-	210	-	Yes	1291-9009
400	500	210	Yes	-	Yes	187	-	Yes	1291-9010
400	500	210	-	Yes	-	210	-	Yes	1291-9011
500	500	210	Yes	-	Yes	187	-	Yes	1291-9012
500	500	210	-	Yes	-	210	-	Yes	1291-9013
500	600	210	Yes	-	Yes	187	-	Yes	1291-9014
500	600	210	-	Yes	-	210	-	Yes	1291-9015
600	600	210	Yes	-	Yes	187	-	Yes	1291-9016
600	600	210	-	Yes	-	210	-	Yes	1291-9017

**Please contact with us for keyboard dimensions

Eco 1500-0000



Installation Area			Back Area		Installation Depth		Support Arm No TK		Article No
Width (mm)	Height (mm)	Depth (mm)	Hinge	Screw	H profil profile installation platform	Installation Deep (mm)	130 mm Ø	118x65.5mm	Eco
300	300	150	Yes	-	Yes	127	Yes	-	1500-0004
300	300	150	-	Yes	-	150	Yes	-	1500-0005
300	400	150	Yes	-	Yes	127	Yes	-	1500-0006
300	400	150	-	Yes	-	150	Yes	-	1500-0007
400	400	150	Yes	-	Yes	127	Yes	-	1500-0008
400	400	150	-	Yes	-	150	Yes	-	1500-0009
400	500	150	Yes	-	Yes	127	Yes	-	1500-0010
400	500	150	-	Yes	-	150	Yes	-	1500-0011
500	500	150	Yes	-	Yes	127	Yes	-	1500-0012
500	500	150	-	Yes	-	150	Yes	-	1500-0013
500	600	150	Yes	-	Yes	127	Yes	-	1500-0014
500	600	150	-	Yes	-	150	Yes	-	1500-0015
600	600	150	Yes	-	Yes	127	Yes	-	1500-0016
600	600	150	-	Yes	-	150	Yes	-	1500-0017

** Please contact with us for non-standart panel sizes

Eco 1500-0200



Installation Area			Back Area		Installation Depth		Support Arm No TK		Article No
Width (mm)	Height (mm)	Depth (mm)	Hinge	Screw	H profil profile installation platform	Installation Deep (mm)	130 mm Ø	118x65.5mm	Eco
300	300	150	Yes	-	Yes	127	Yes	-	1500-0204
300	300	150	-	Yes	-	150	Yes	-	1500-0205
300	400	150	Yes	-	Yes	127	Yes	-	1500-0206
300	400	150	-	Yes	-	150	Yes	-	1500-0207
400	400	150	Yes	-	Yes	127	Yes	-	1500-0208
400	400	150	-	Yes	-	150	Yes	-	1500-0209
400	500	150	Yes	-	Yes	127	Yes	-	1500-0210
400	500	150	-	Yes	-	150	Yes	-	1500-0211
500	500	150	Yes	-	Yes	127	Yes	-	1500-0212
500	500	150	-	Yes	-	150	Yes	-	1500-0213
500	600	150	Yes	-	Yes	127	Yes	-	1500-0214
500	600	150	-	Yes	-	150	Yes	-	1500-0215
600	600	150	Yes	-	Yes	127	Yes	-	1500-0216
600	600	150	-	Yes	-	150	Yes	-	1500-0217

** Please contact with us for non-standart panel sizes

Eco 1500-0100



Installation Area			Back Area		Installation Depth		Support Arm No TK		Article No
Width (mm)	Height (mm)	Depth (mm)	Hinge	Screw	H profil profile installation platform	Installation Deep (mm)	130 mm Ø	118x65.5mm	Eco
300	300	150	Yes	-	Yes	127	Yes	-	1500-0104
300	300	150	-	Yes	-	150	Yes	-	1500-0105
300	400	150	Yes	-	Yes	127	Yes	-	1500-0106
300	400	150	-	Yes	-	150	Yes	-	1500-0107
400	400	150	Yes	-	Yes	127	Yes	-	1500-0108
400	400	150	-	Yes	-	150	Yes	-	1500-0109
400	500	150	Yes	-	Yes	127	Yes	-	1500-0110
400	500	150	-	Yes	-	150	Yes	-	1500-0111
500	500	150	Yes	-	Yes	127	Yes	-	1500-0112
500	500	150	-	Yes	-	150	Yes	-	1500-0113
500	600	150	Yes	-	Yes	127	Yes	-	1500-0114
500	600	150	-	Yes	-	150	Yes	-	1500-0115
600	600	150	Yes	-	Yes	127	Yes	-	1500-0116
600	600	150	-	Yes	-	150	Yes	-	1500-0117

** Please contact with us for non-standart panel sizes

Eco 1500-1200



Installation Area			Back Area		Installation Depth		Support Arm No TK		Article No
Width (mm)	Height (mm)	Depth (mm)	Hinge	Screw	H profil profile installation platform	Installation Deep (mm)	130 mm Ø	118x65.5mm	Eco
300	300	150	Yes	-	Yes	127	Yes	-	1500-1204
300	300	150	-	Yes	-	150	Yes	-	1500-1205
300	400	150	Yes	-	Yes	127	Yes	-	1500-1206
300	400	150	-	Yes	-	150	Yes	-	1500-1207
400	400	150	Yes	-	Yes	127	Yes	-	1500-1208
400	400	150	-	Yes	-	150	Yes	-	1500-1209
400	500	150	Yes	-	Yes	127	Yes	-	1500-1210
400	500	150	-	Yes	-	150	Yes	-	1500-1211
500	500	150	Yes	-	Yes	127	Yes	-	1500-1212
500	500	150	-	Yes	-	150	Yes	-	1500-1213
500	600	150	Yes	-	Yes	127	Yes	-	1500-1214
500	600	150	-	Yes	-	150	Yes	-	1500-1215
600	600	150	Yes	-	Yes	127	Yes	-	1500-1216
600	600	150	-	Yes	-	150	Yes	-	1500-1217

*Please contact with us for keyboard dimensions

Eco 1590-0000



Installation Area			Back Area		Installation Depth		Support Arm No TK		Article No
Width (mm)	Height (mm)	Depth (mm)	Hinge	Screw	H profil profile installation platform	Installation Deep (mm)	130 mm Ø	118x65.5mm	Eco
300	300	240	Yes	-	Yes	217	Yes	-	1590-0004
300	300	240	-	Yes	-	240	Yes	-	1590-0005
300	400	240	Yes	-	Yes	217	Yes	-	1590-0006
300	400	240	-	Yes	-	240	Yes	-	1590-0007
400	400	240	Yes	-	Yes	217	Yes	-	1590-0008
400	400	240	-	Yes	-	240	Yes	-	1590-0009
400	500	240	Yes	-	Yes	217	Yes	-	1590-0010
400	500	240	-	Yes	-	240	Yes	-	1590-0011
500	500	240	Yes	-	Yes	217	Yes	-	1590-0012
500	500	240	-	Yes	-	240	Yes	-	1590-0013
500	600	240	Yes	-	Yes	217	Yes	-	1590-0014
500	600	240	-	Yes	-	240	Yes	-	1590-0015
600	600	240	Yes	-	Yes	217	Yes	-	1590-0016
600	600	240	-	Yes	-	240	Yes	-	1590-0017

** Please contact with us for non-standart panel sizes

Eco 1590-0200



Installation Area			Back Area		Installation Depth		Support Arm No TK		Article No
Width (mm)	Height (mm)	Depth (mm)	Hinge	Screw	H profil profile installation platform	Installation Deep (mm)	130 mm Ø	118x65.5mm	Eco
300	300	240	Yes	-	Yes	217	Yes	-	1590-0204
300	300	240	-	Yes	-	240	Yes	-	1590-0205
300	400	240	Yes	-	Yes	217	Yes	-	1590-0206
300	400	240	-	Yes	-	240	Yes	-	1590-0207
400	400	240	Yes	-	Yes	217	Yes	-	1590-0208
400	400	240	-	Yes	-	240	Yes	-	1590-0209
400	500	240	Yes	-	Yes	217	Yes	-	1590-0210
400	500	240	-	Yes	-	240	Yes	-	1590-0211
500	500	240	Yes	-	Yes	217	Yes	-	1590-0212
500	500	240	-	Yes	-	240	Yes	-	1590-0213
500	600	240	Yes	-	Yes	217	Yes	-	1590-0214
500	600	240	-	Yes	-	240	Yes	-	1590-0215
600	600	240	Yes	-	Yes	217	Yes	-	1590-0216
600	600	240	-	Yes	-	240	Yes	-	1590-0217

** Please contact with us for non-standart panel sizes

Eco 1590-0100



Installation Area			Back Area		Installation Depth		Support Arm No TK		Article No
Width (mm)	Height (mm)	Depth (mm)	Hinge	Screw	H profil profile installation platform	Installation Deep (mm)	130 mm Ø	118x65.5mm	Eco
300	300	240	Yes	-	Yes	217	Yes	-	1590-0104
300	300	240	-	Yes	-	240	Yes	-	1590-0105
300	400	240	Yes	-	Yes	217	Yes	-	1590-0106
300	400	240	-	Yes	-	240	Yes	-	1590-0107
400	400	240	Yes	-	Yes	217	Yes	-	1590-0108
400	400	240	-	Yes	-	240	Yes	-	1590-0109
400	500	240	Yes	-	Yes	217	Yes	-	1590-0110
400	500	240	-	Yes	-	240	Yes	-	1590-0111
500	500	240	Yes	-	Yes	217	Yes	-	1590-0112
500	500	240	-	Yes	-	240	Yes	-	1590-0113
500	600	240	Yes	-	Yes	217	Yes	-	1590-0114
500	600	240	-	Yes	-	240	Yes	-	1590-0115
600	600	240	Yes	-	Yes	217	Yes	-	1590-0116
600	600	240	-	Yes	-	240	Yes	-	1590-0117

** Please contact with us for non-standart panel sizes

Eco 1590-1200



Installation Area			Back Area		Installation Depth		Support Arm No TK		Article No
Width (mm)	Height (mm)	Depth (mm)	Hinge	Screw	H profil profile installation platform	Installation Deep (mm)	130 mm Ø	118x65.5mm	Eco
300	300	240	Yes	-	Yes	217	Yes	-	1590-1204
300	300	240	-	Yes	-	240	Yes	-	1590-1205
300	400	240	Yes	-	Yes	217	Yes	-	1590-1206
300	400	240	-	Yes	-	240	Yes	-	1590-1207
400	400	240	Yes	-	Yes	217	Yes	-	1590-1208
400	400	240	-	Yes	-	240	Yes	-	1590-1209
400	500	240	Yes	-	Yes	217	Yes	-	1590-1210
400	500	240	-	Yes	-	240	Yes	-	1590-1211
500	500	240	Yes	-	Yes	217	Yes	-	1590-1212
500	500	240	-	Yes	-	240	Yes	-	1590-1213
500	600	240	Yes	-	Yes	217	Yes	-	1590-1214
500	600	240	-	Yes	-	240	Yes	-	1590-1215
600	600	240	Yes	-	Yes	217	Yes	-	1590-1216
600	600	240	-	Yes	-	240	Yes	-	1590-1217

*Please contact with us for keyboard dimensions

Eco 1591-0000



Installation Area			Back Area		Installation Depth		Support Arm No TK		Article No
Width (mm)	Height (mm)	Depth (mm)	Hinge	Screw	H profil profile installation platform	Installation Deep (mm)	130 mm Ø	118x65.5mm	Eco
300	300	240	Yes	-	Yes	217	Yes	-	1591-0004
300	300	240	-	Yes	-	240	Yes	-	1591-0005
300	400	240	Yes	-	Yes	217	Yes	-	1591-0006
300	400	240	-	Yes	-	240	Yes	-	1591-0007
400	400	240	Yes	-	Yes	217	Yes	-	1591-0008
400	400	240	-	Yes	-	240	Yes	-	1591-0009
400	500	240	Yes	-	Yes	217	Yes	-	1591-0010
400	500	240	-	Yes	-	240	Yes	-	1591-0011
500	500	240	Yes	-	Yes	217	Yes	-	1591-0012
500	500	240	-	Yes	-	240	Yes	-	1591-0013
500	600	240	Yes	-	Yes	217	Yes	-	1591-0014
500	600	240	-	Yes	-	240	Yes	-	1591-0015
600	600	240	Yes	-	Yes	217	Yes	-	1591-0016
600	600	240	-	Yes	-	240	Yes	-	1591-0017

** Please contact with us for non-standart panel sizes

Eco 1591-0200



Installation Area			Back Area		Installation Depth		Support Arm No TK		Article No
Width (mm)	Height (mm)	Depth (mm)	Hinge	Screw	H profil profile installation platform	Installation Deep (mm)	130 mm Ø	118x65.5mm	Eco
300	300	240	Yes	-	Yes	217	Yes	-	1591-0204
300	300	240	-	Yes	-	240	Yes	-	1591-0205
300	400	240	Yes	-	Yes	217	Yes	-	1591-0206
300	400	240	-	Yes	-	240	Yes	-	1591-0207
400	400	240	Yes	-	Yes	217	Yes	-	1591-0208
400	400	240	-	Yes	-	240	Yes	-	1591-0209
400	500	240	Yes	-	Yes	217	Yes	-	1591-0210
400	500	240	-	Yes	-	240	Yes	-	1591-0211
500	500	240	Yes	-	Yes	217	Yes	-	1591-0212
500	500	240	-	Yes	-	240	Yes	-	1591-0213
500	600	240	Yes	-	Yes	217	Yes	-	1591-0214
500	600	240	-	Yes	-	240	Yes	-	1591-0215
600	600	240	Yes	-	Yes	217	Yes	-	1591-0216
600	600	240	-	Yes	-	240	Yes	-	1591-0217

** Please contact with us for non-standart panel sizes

Eco 1591-0100



Installation Area			Back Area		Installation Depth		Support Arm No TK		Article No
Width (mm)	Height (mm)	Depth (mm)	Hinge	Screw	H profil profile installation platform	Installation Deep (mm)	130 mm Ø	118x65.5mm	Eco
300	300	240	Yes	-	Yes	217	Yes	-	1591-0104
300	300	240	-	Yes	-	240	Yes	-	1591-0105
300	400	240	Yes	-	Yes	217	Yes	-	1591-0106
300	400	240	-	Yes	-	240	Yes	-	1591-0107
400	400	240	Yes	-	Yes	217	Yes	-	1591-0108
400	400	240	-	Yes	-	240	Yes	-	1591-0109
400	500	240	Yes	-	Yes	217	Yes	-	1591-0110
400	500	240	-	Yes	-	240	Yes	-	1591-0111
500	500	240	Yes	-	Yes	217	Yes	-	1591-0112
500	500	240	-	Yes	-	240	Yes	-	1591-0113
500	600	240	Yes	-	Yes	217	Yes	-	1591-0114
500	600	240	-	Yes	-	240	Yes	-	1591-0115
600	600	240	Yes	-	Yes	217	Yes	-	1591-0116
600	600	240	-	Yes	-	240	Yes	-	1591-0117

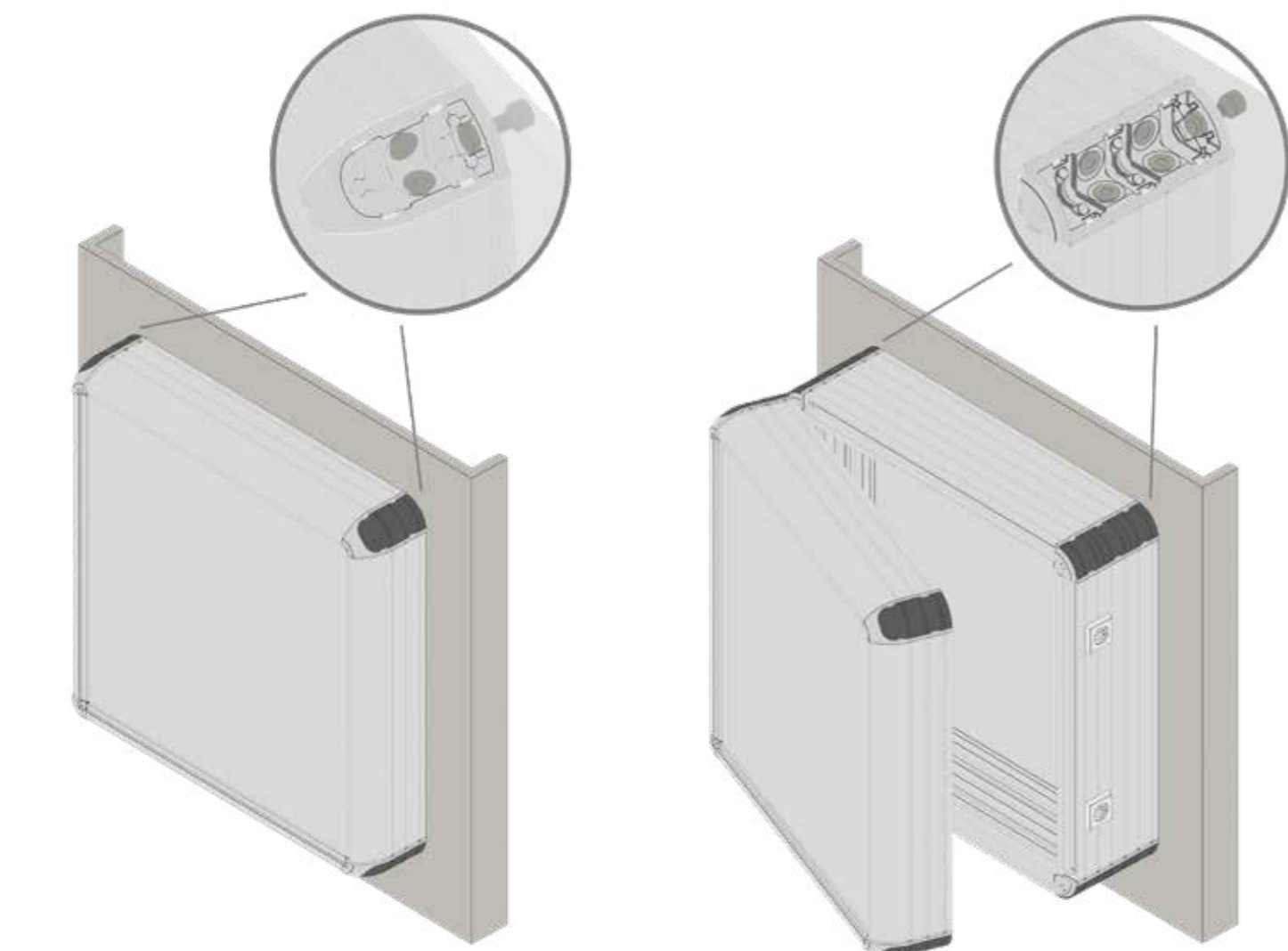
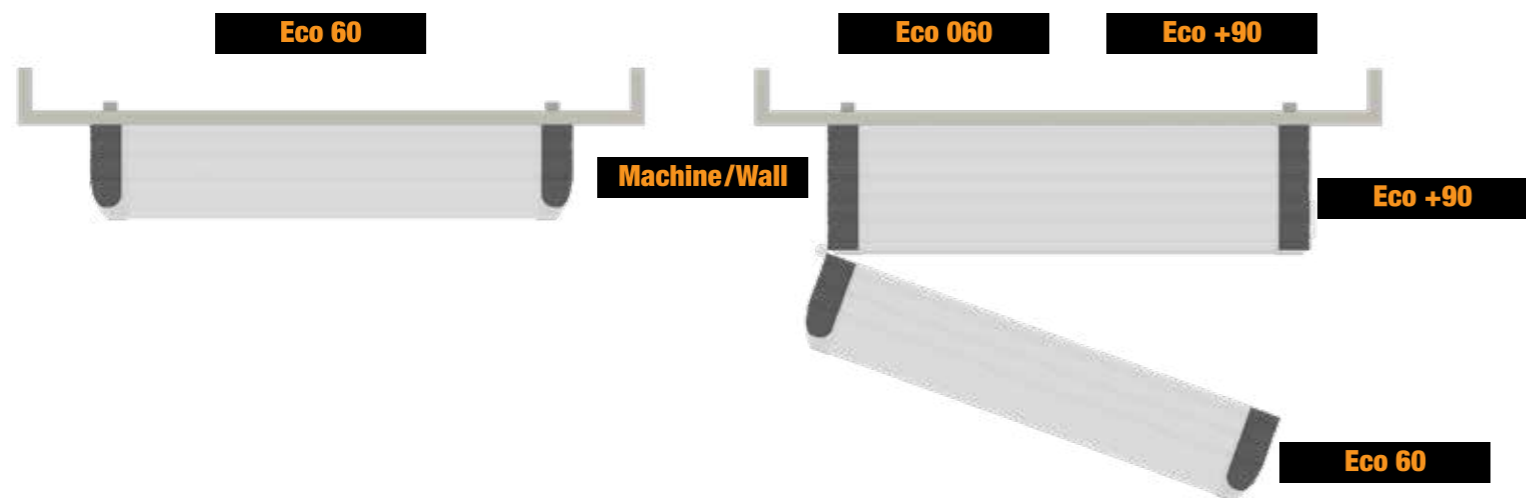
** Please contact with us for non-standart panel sizes

Eco 1591-1200

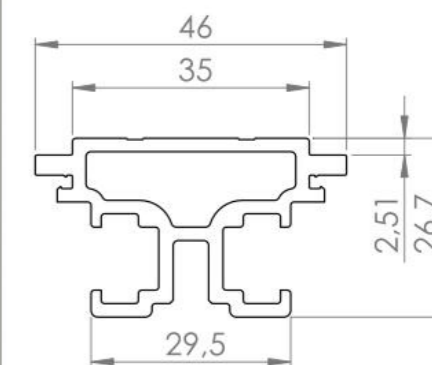
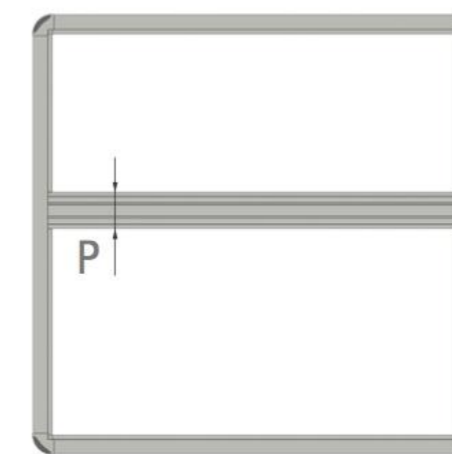


Installation Area			Back Area		Installation Depth		Support Arm No TK		Article No
Width (mm)	Height (mm)	Depth (mm)	Hinge	Screw	H profil profile installation platform	Installation Deep (mm)	130 mm Ø	118x65.5mm	Eco
300	300	240	Yes	-	Yes	217	Yes	-	1591-1204
300	300	240	-	Yes	-	240	Yes	-	1591-1205
300	400	240	Yes	-	Yes	217	Yes	-	1591-1206
300	400	240	-	Yes	-	240	Yes	-	1591-1207
400	400	240	Yes	-	Yes	217	Yes	-	1591-1208
400	400	240	-	Yes	-	240	Yes	-	1591-1209
400	500	240	Yes	-	Yes	217	Yes	-	1591-1210
400	500	240	-	Yes	-	240	Yes	-	1591-1211
500	500	240	Yes	-	Yes	217	Yes	-	1591-1212
500	500	240	-	Yes	-	240	Yes	-	1591-1213
500	600	240	Yes	-	Yes	217	Yes	-	1591-1214
500	600	240	-	Yes	-	240	Yes	-	1591-1215
600	600	240	Yes	-	Yes	217	Yes	-	1591-1216
600	600	240	-	Yes	-	240	Yes	-	1591-1217

*Please contact with us for keyboard dimensions



Wall application examples for **Eco 060** series panel
Please contact us to find out the feasibility of the products.



P= 46mm Front Face 35mm



TKP

2000 Without Handle Back Plate With Double Hinged and Double Key Lock



Installation Area			Back Area	Installation Depth		Support Arm No TK	Article No
Width (mm)	Height (mm)	Depth (mm)	Hinge	H profil profile installation platform	Installation Deep (mm)	130 mm Ø	TKP
300	300	152	Yes	Yes	129	Yes	3030-0000
300	400	152	Yes	Yes	129	Yes	3040-0000
400	400	152	Yes	Yes	129	Yes	4040-0000
400	500	152	Yes	Yes	129	Yes	4050-0000
500	500	152	Yes	Yes	129	Yes	5050-0000
500	600	152	Yes	Yes	129	Yes	5060-0000
600	600	152	Yes	Yes	129	Yes	6060-0000

** Please contact with us for non-standart panel sizes

TKP

2000 One Handle From Bottom Back Plate With Double Hinged and Double Key Lock



Installation Area			Back Area	Installation Depth		Support Arm No TK	Article No
Width (mm)	Height (mm)	Depth (mm)	Hinge	H profil profile installation platform	Installation Deep (mm)	130 mm Ø	TKP
300	300	152	Yes	Yes	129	Yes	3030-2000
300	400	152	Yes	Yes	129	Yes	3040-2000
400	400	152	Yes	Yes	129	Yes	4040-2000
400	500	152	Yes	Yes	129	Yes	4050-2000
500	500	152	Yes	Yes	129	Yes	5050-2000
500	600	152	Yes	Yes	129	Yes	5060-2000
600	600	152	Yes	Yes	129	Yes	6060-2000

** Please contact with us for non-standart panel sizes

TKP

2000 Double Handle On Both Sides Back Plate With Double Hinged and Double Key Lock



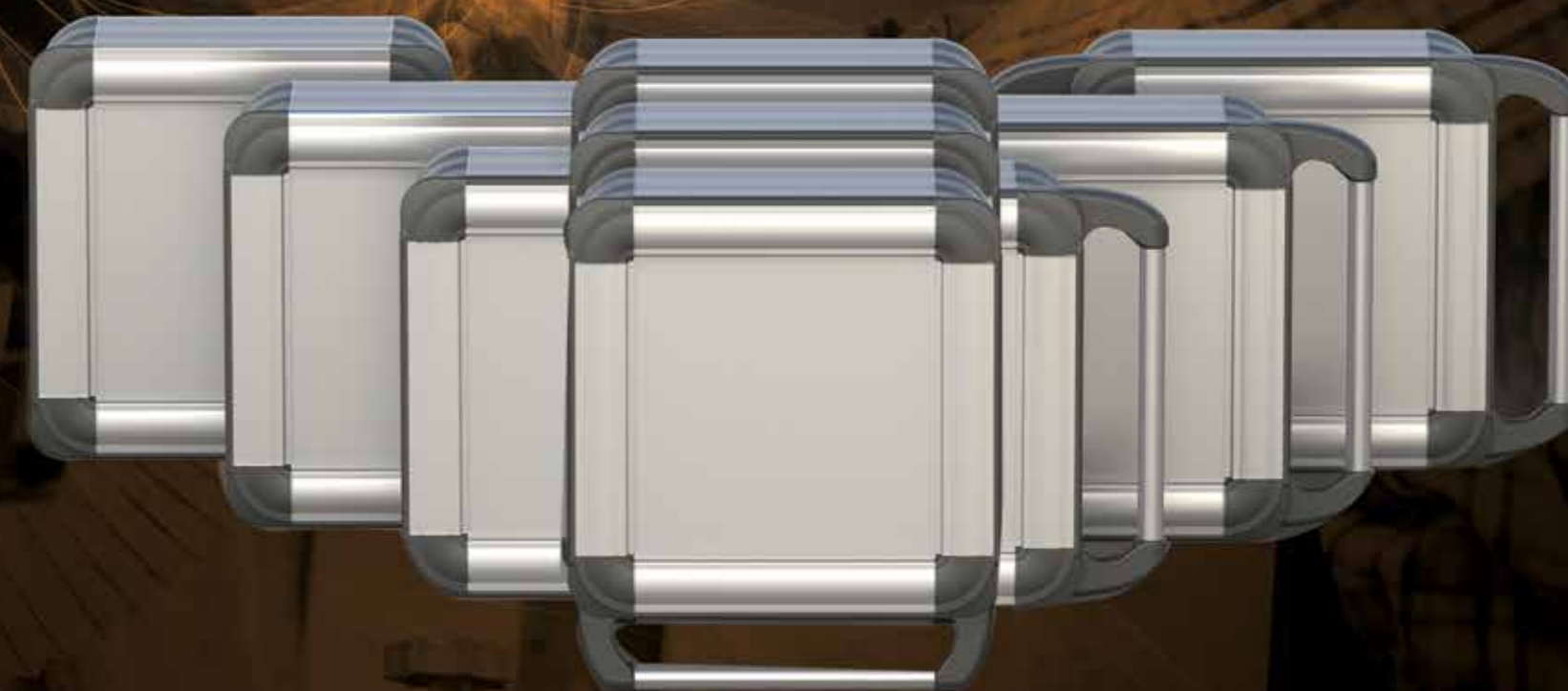
Installation Area			Back Area	Installation Depth		Support Arm No TK	Article No
Width (mm)	Height (mm)	Depth (mm)	Hinge	H profil profile installation platform	Installation Deep (mm)	130 mm Ø	TKP
300	300	152	Yes	Yes	129	Yes	3030-4000
300	400	152	Yes	Yes	129	Yes	3040-4000
400	400	152	Yes	Yes	129	Yes	4040-4000
400	500	152	Yes	Yes	129	Yes	4050-4000
500	500	152	Yes	Yes	129	Yes	5050-4000
500	600	152	Yes	Yes	129	Yes	5060-4000
600	600	152	Yes	Yes	129	Yes	6060-4000

** Please contact with us for non-standart panel sizes

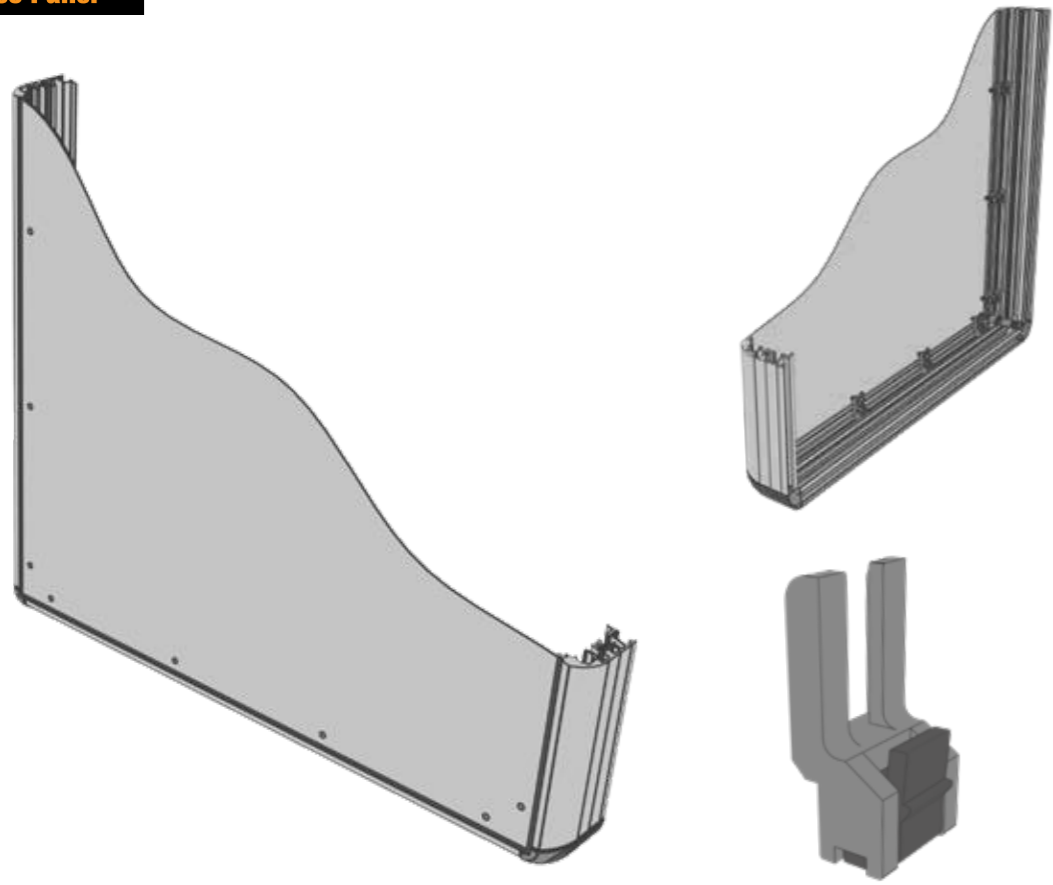
TKP 2000

Series Elegant, high grade look, attractive design.

LM Construction with surrounding silicone seal , anodised extruder aluminium profiles and aluminium die-cast corner components for fast and efficient controller heat transfer. Several installation area dimensions, minimum 250x250 mm, maximum 600x600 mm (widthxlength) and 152 mm mounting depth. Customizable by coloured eloxal basic profiles, coloured corner elements and coloured front plates. Suitable for all TEKNOKOL arm systems. Equipped with standart hinged back plate and double key lock. Enclosure color; naturally anodized E6/CO. Corner elements; RAL 7016 anthracite-gray. Protection class; IP 65/ IEC 60 529

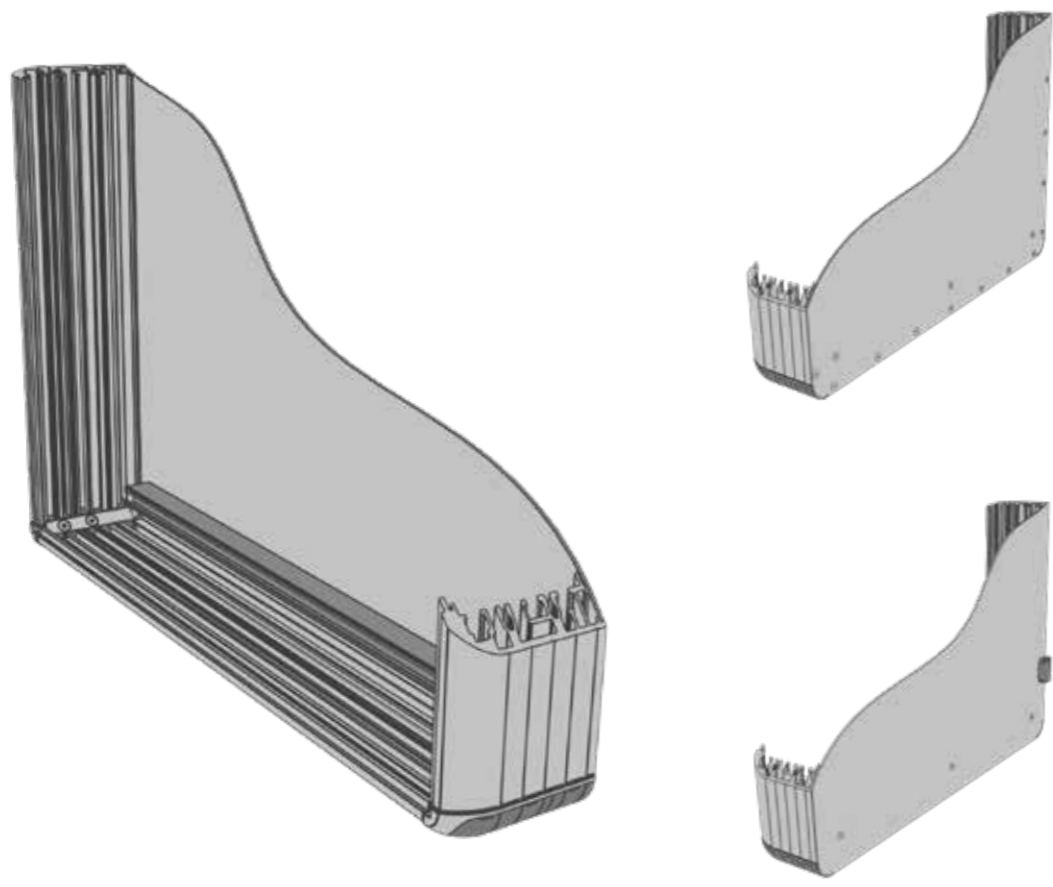


Eco Panel



Zamak Alloys Connector

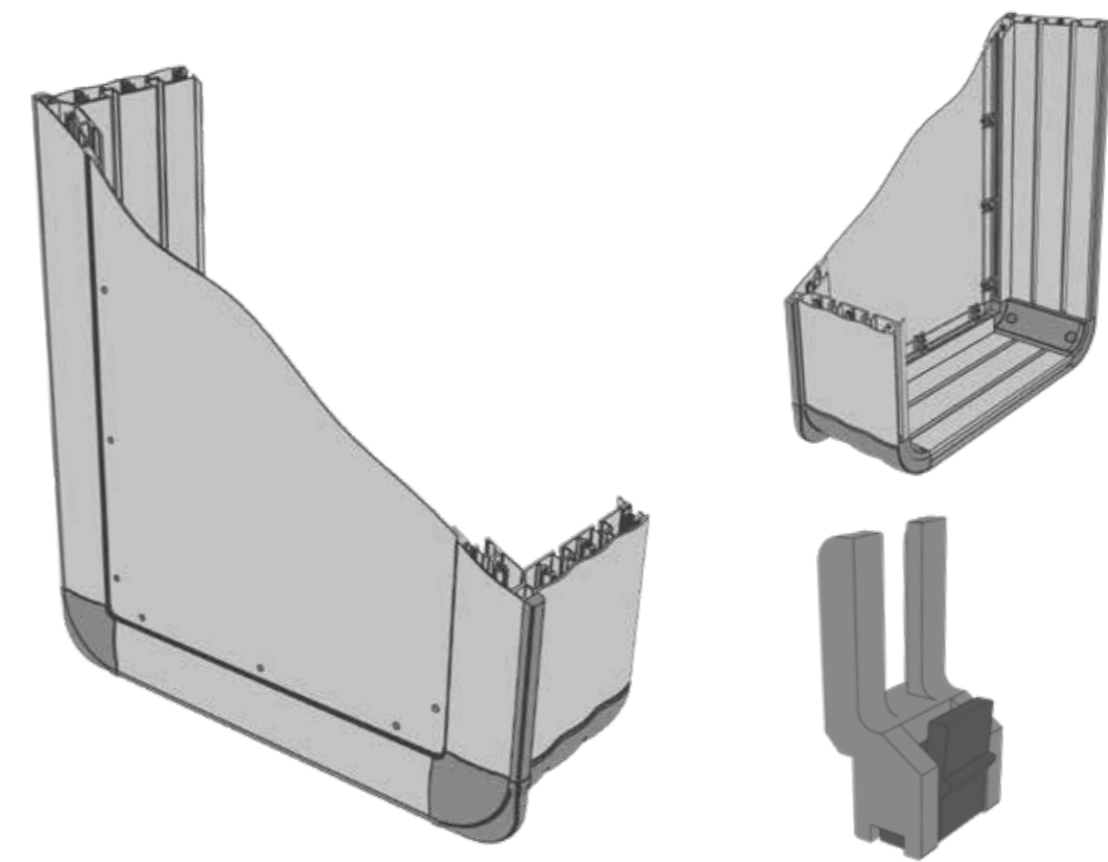
Eco Panel



Panel Back Plate Fixed (Screw)

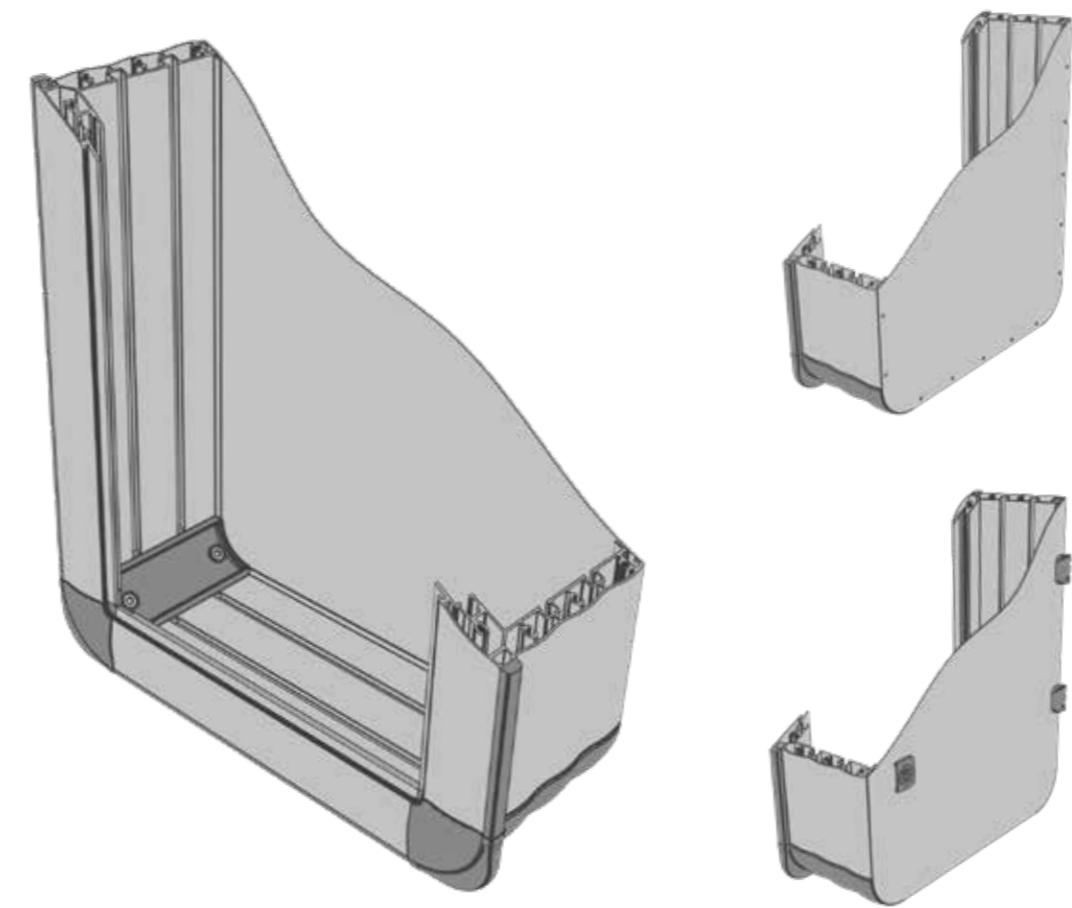
Panel Back Plate Moveable (Hinge)

TKP2000 Panel



Zamak Alloys Connector

TKP2000 Panel



Panel Back Plate Fixed (Screw)

Panel Back Plate Moveable (Hinge)

	Eco 60			Eco 90			Eco 120			Eco 150			TKP 2000
	Eco 060	Eco +90 Eco 060	Eco +91 Eco 060	Eco 090	Eco +90 Eco 090	Eco +91 Eco 090	Eco 120	Eco +90 Eco 120	Eco +91 Eco 120	Eco 150	Eco +90 Eco 150	Eco +91 Eco 150	
TK045.400	X	Only Eco +90	Only Eco +91	✓	✓	✓	✓	✓	✓	X	X	X	X
TK045.830	X	Only Eco +90	Only Eco +91	✓	✓	✓	✓	✓	✓	X	X	X	X
TK060.310	X	Screw Middle Hinge Middle	Screw Middle Hinge Middle	X	Screw Middle Hinge Middle	Screw Middle Hinge Middle	X	Only Eco 120	Only Eco 120	✓	Only Eco 150	Only Eco 150	X
TK060.315	X	X	X	X	X	X	X	X	X	X	X	X	✓
TK060.320	X	Screw Middle Hinge Middle	Screw Middle Hinge Middle	X	Screw Middle Hinge Middle	Screw Middle Hinge Middle	✓	Only Eco 120	Only Eco 120	✓	Only Eco 150	Only Eco 150	X
TK060.321	X	Screw Middle Hinge Middle	Screw Middle Hinge Middle	X	Screw Middle Hinge Middle	Screw Middle Hinge Middle	✓	Only Eco 120	Only Eco 120	✓	Only Eco 150	Only Eco 150	X
TK060.400	X	Screw Middle Hinge Middle	Screw Middle Hinge Middle	X	Screw Middle Hinge Middle	Screw Middle Hinge Middle	✓	Only Eco 120	Only Eco 120	✓	Only Eco 150	Only Eco 150	X
TK060.826	X	Only Eco +90	Only Eco +91	✓	✓	✓	✓	✓	✓	X	X	X	X
TK060.830	X	Only Eco +90	Only Eco +91	✓	✓	✓	✓	✓	✓	X	X	X	X

✓: Compatible

X : Incompatible

Articles starting with 'Only' are only valid for the related module.

Screw Middle: Screw joint (Cannot be opened from the middle point of the panel)

Hinge Middle: Hinged joint (Can be opened from the middle of the panel)

Some modules may be compatible or incompatible according to the size dimensions of the panel frame dimensions. Please contact us for further information.

	Eco 60			Eco 90			Eco 120			Eco 150			TKP 2000
	Eco 060	Eco +90 Eco 060	Eco +91 Eco 060	Eco 090	Eco +90 Eco 090	Eco +91 Eco 090	Eco 120	Eco +90 Eco 120	Eco +91 Eco 120	Eco 150	Eco +90 Eco 150	Eco +91 Eco 150	
TK060.831	X	Only Eco +90	Only Eco +91	✓	✓	✓	✓	✓	✓	X	X	X	X
TK060.832	Only Eco 060	X	X	X	X	X	X	X	X	X	X	X	X
TK060.833	X	Only Eco +90	Only Eco +91	✓	✓	✓	✓	✓	✓	X	X	X	X
TK060.834	X	Screw Middle Hinge Middle	Screw Middle Hinge Middle	X	Screw Middle Hinge Middle	Screw Middle Hinge Middle	✓	Only Eco 120	Only Eco 120	✓	Only Eco 150	Only Eco 150	X
TK060.835	X	Only Eco +90	Only Eco +91	✓	✓	✓	✓	✓	✓	X	X	X	X
TK060.840	X	Screw Middle Hinge Middle	Screw Middle Hinge Middle	X	Screw Middle Hinge Middle	Screw Middle Hinge Middle	✓	Only Eco 120	Only Eco 120	✓	Only Eco 150	Only Eco 150	X
TK120.310	X	Screw Middle Hinge Middle	Screw Middle Hinge Middle	X	Screw Middle Hinge Middle	Screw Middle Hinge Middle	✓	Only Eco 120	Only Eco 120	✓	Only Eco 150	Only Eco 150	X
TK120.320	X	Screw Middle Hinge Middle	Screw Middle Hinge Middle	X	Screw Middle Hinge Middle	Screw Middle Hinge Middle	✓	Only Eco 120	Only Eco 120	✓	Only Eco 150	Only Eco 150	X
TK120.400	X	Screw Middle Hinge Middle	Screw Middle Hinge Middle	X	Screw Middle Hinge Middle	Screw Middle Hinge Middle	✓	Only Eco 120	Only Eco 120	✓	Only Eco 150	Only Eco 150	X

✓: Compatible

X : Incompatible

Articles starting with 'Only' are only valid for the related module.

Screw Middle: Screw joint (Cannot be opened from the middle point of the panel)

Hinge Middle: Hinged joint (Can be opened from the middle of the panel)

Some modules may be compatible or incompatible according to the size dimensions of the panel frame dimensions. Please contact us for further information.

Front Sheet Without Process

Front Sheet Without Process

* Suitable for ECO and TKP2000 Panels.



Installation Area			Article No
Width (mm)	Height (mm)	Thickness (mm)	TKP
300	300	2	LVH2.00.3030
300	400	2	LVH2.00.3040
400	400	2	LVH2.00.4040
400	500	2	LVH2.00.4050
500	500	2	LVH2.00.6060
500	600	2	LVH2.00.5060
600	600	2	LVH2.00.6060
300	300	3	LVH3.00.3030
300	400	3	LVH3.00.3040
400	400	3	LVH3.00.4040
400	500	3	LVH3.00.4050
500	500	3	LVH3.00.6060
500	600	3	LVH3.00.5060
600	600	3	LVH3.00.6060

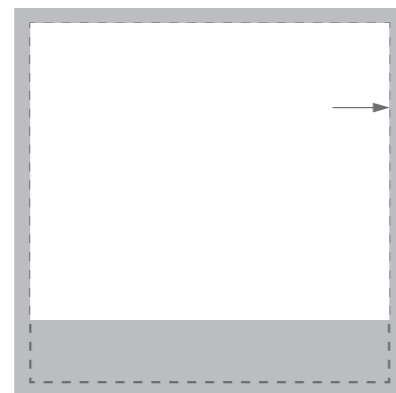
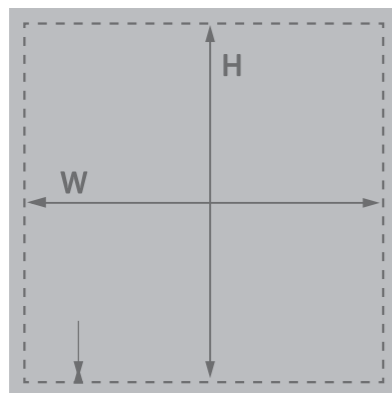
Front Sheet With Process

* Suitable for ECO and TKP2000 Panels.



Installation Area			Article No
Width (mm)	Height (mm)	Thickness (mm)	TKP
300	300	2	LVH2.01.3030
300	400	2	LVH2.01.3040
400	400	2	LVH2.01.4040
400	500	2	LVH2.01.4050
500	500	2	LVH2.01.6060
500	600	2	LVH2.01.5060
600	600	2	LVH2.01.6060
300	300	3	LVH3.01.3030
300	400	3	LVH3.01.3040
400	400	3	LVH3.01.4040
400	500	3	LVH3.01.4050
500	500	3	LVH3.01.6060
500	600	3	LVH3.01.5060
600	600	3	LVH3.01.6060

Front Sheet Application



P= 21,5mm Installation Area





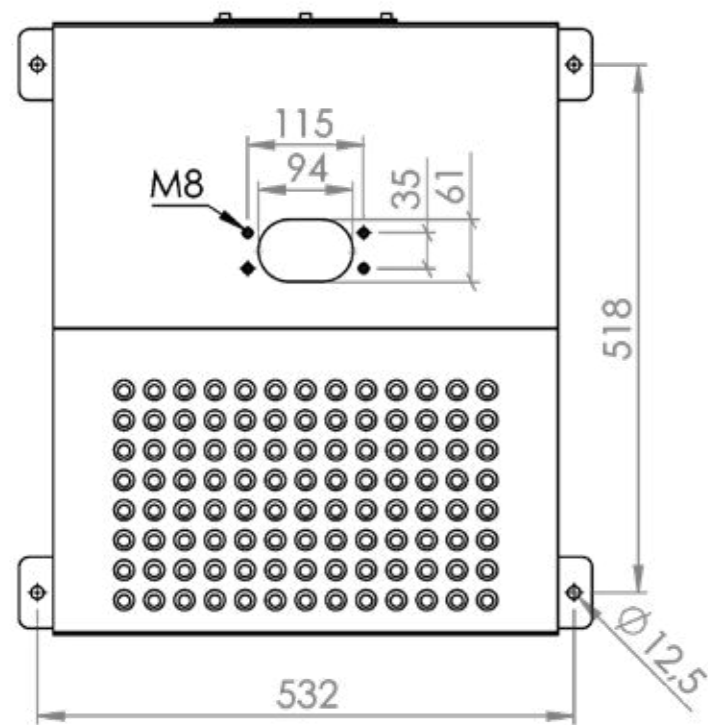
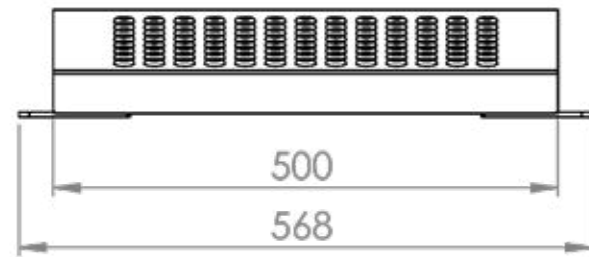
Kiosk ■ Systems ▶

KS.060.01 Fixed Kiosk Plate



The kiosk plates are designed for areas where operator arm applications are insufficient, or where the control panel is demanded to be moved constantly. The kiosk plates, which can be fixed to the floor, consisting of three models with wheels and adjustable legs, creates a suitable connection platform for the operator arms. The product is only coordinated to work with TK060.800 module. Kindly contact us for further information.

Weight (Kg)	16,5
Color RAL No	7035
Package	1
Package Dimension (mm)	510x110x610
Movement	Fixed

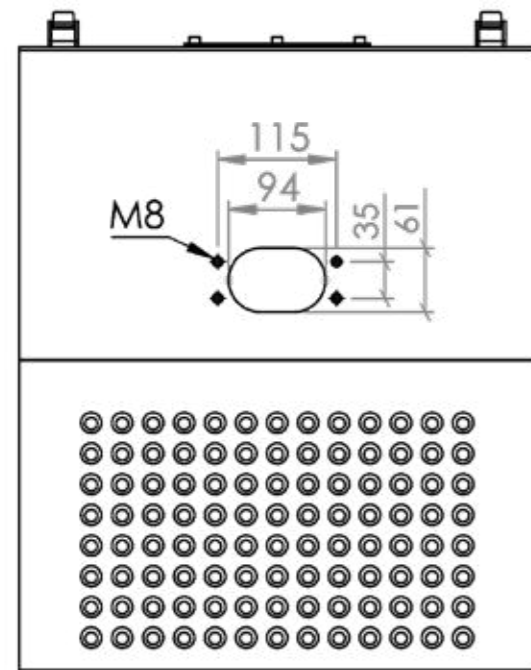
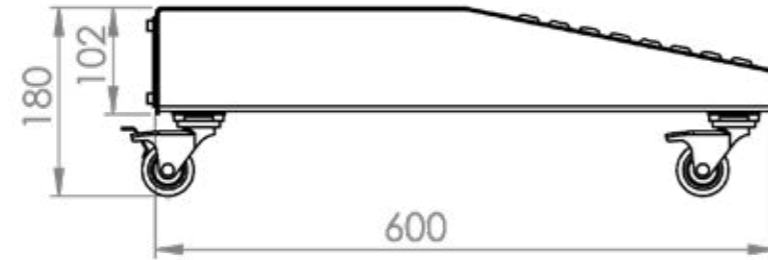
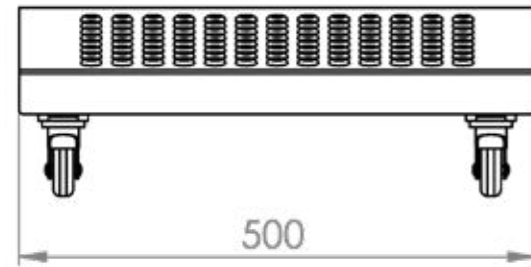


KS.060.02 Modular Kiosk Plate

The kiosk plates are designed for areas where operator arm applications are insufficient, or where the control panel is demanded to be moved constantly. The kiosk plates, which can be fixed to the floor, consisting of three models with wheels and adjustable legs, creates a suitable connection platform for the operator arms. The product is only coordinated to work with TK060.800 module. Kindly contact us for further information.



Weight (Kg)	16,5
Color RAL No	7035
Package	1
Package Dimension (mm)	510x110x610
Movement	Modular

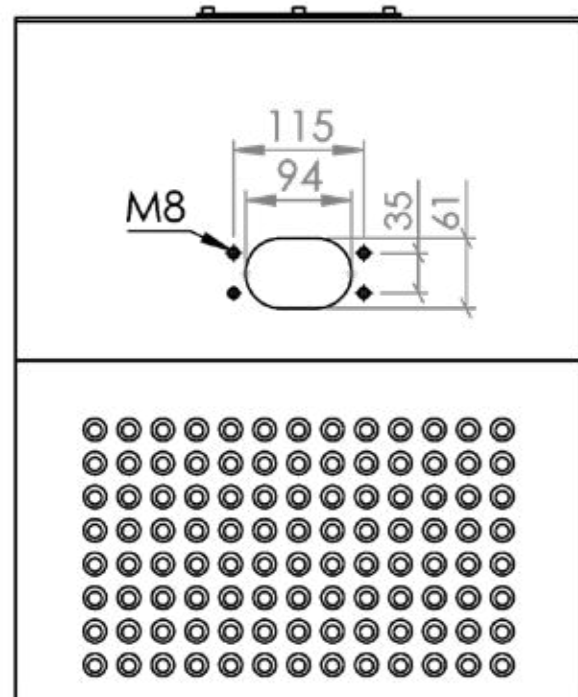
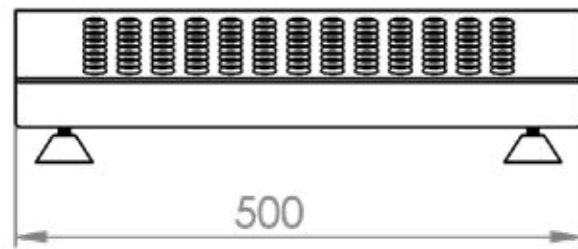


KS.060.03 Fixed Kiosk Plate



The kiosk plates are designed for areas where operator arm applications are insufficient, or where the control panel is demanded to be moved constantly. The kiosk plates, which can be fixed to the floor, consisting of three models with wheels and adjustable legs, creates a suitable connection platform for the operator arms. The product is only coordinated to work with TK060.800 module. Contact us for further information.

Weight (Kg)	16,5
Color RAL No	7035
Package	1
Package Dimension (mm)	510x110x610
Movement	Fixed

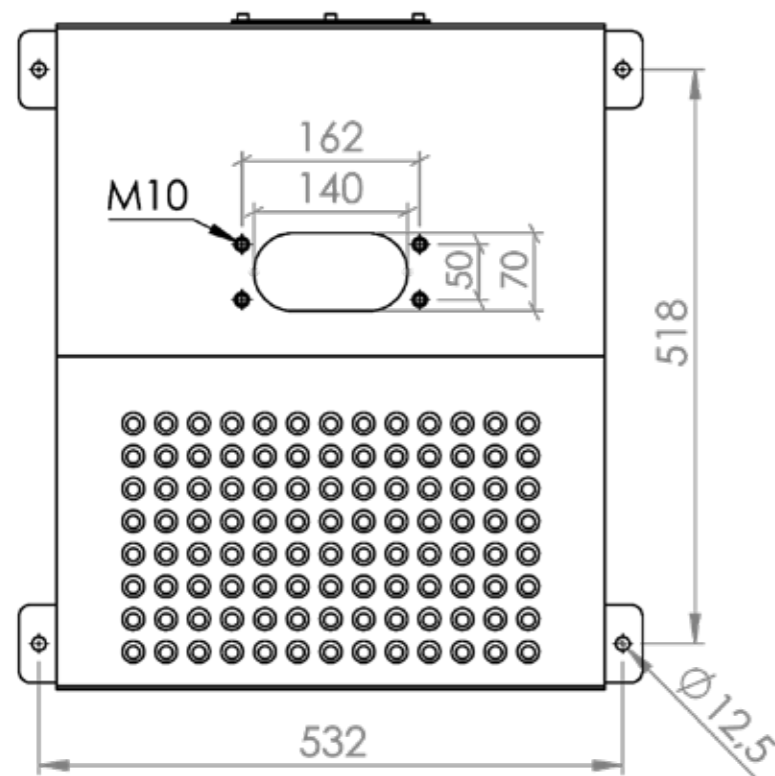
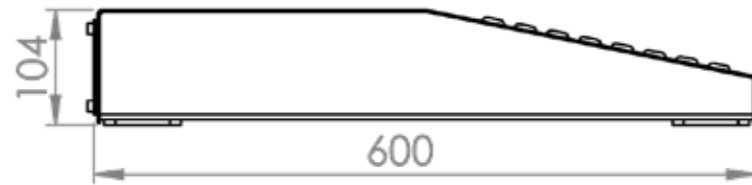
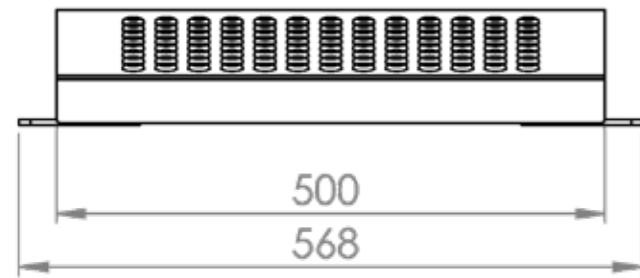


KS.120.01 Fixed Kiosk Plate



The kiosk plates are designed for areas where operator arm applications are insufficient, or where the control panel is demanded to be moved constantly. The kiosk plates, which can be fixed to the floor, consisting of three models with wheels and adjustable legs, creates a suitable connection platform for the operator arms. The product is only coordinated to work with TK120.800 module. Kindly contact us for further information.

Weight (Kg)	16,5
Color RAL No	7035
Package	1
Package Dimension (mm)	510x110x610
Movement	Fixed

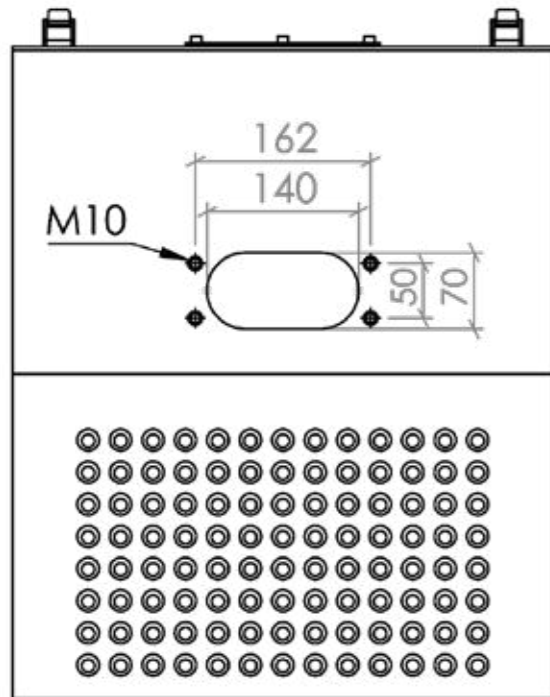
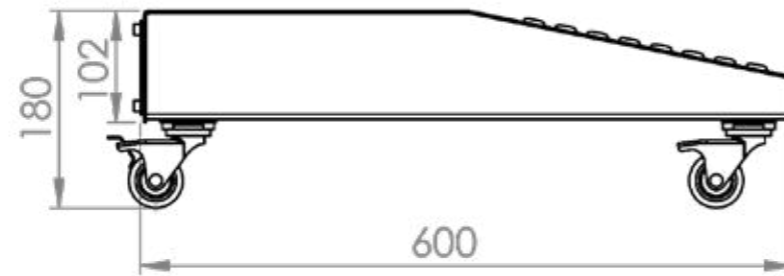
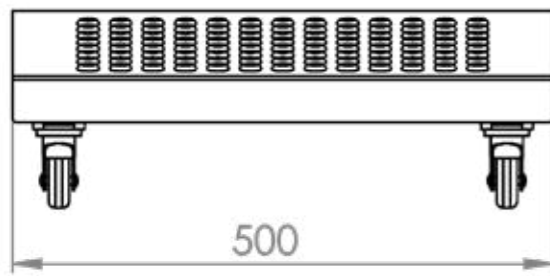


KS.120.02 Modular Kiosk Plate



The kiosk plates are designed for areas where operator arm applications are insufficient, or where the control panel is demanded to be moved constantly. The kiosk plates, which can be fixed to the floor, consisting of three models with wheels and adjustable legs, creates a suitable connection platform for the operator arms. The product is only coordinated to work with TK120.800 module. Kindly contact us for further information.

Weight (Kg)	16,5
Color RAL No	7035
Package	1
Package Dimension (mm)	510x110x610
Movement	Modular

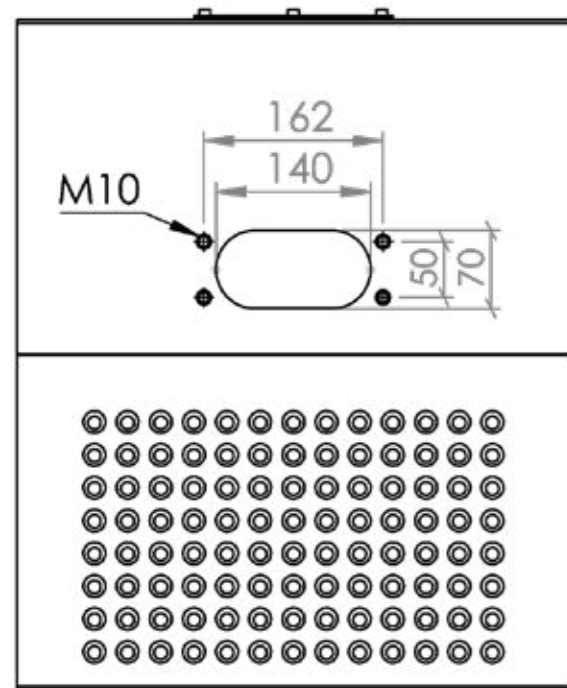
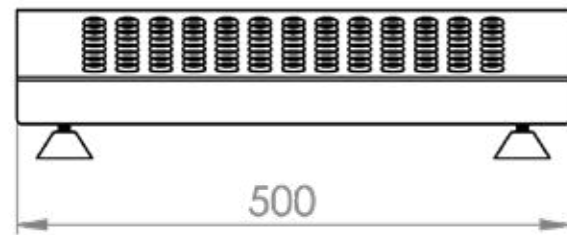


KS.120.03 Fixed Kiosk Plate



The kiosk plates are designed for areas where operator arm applications are insufficient, or where the control panel is demanded to be moved constantly. The kiosk plates, which can be fixed to the floor, consisting of three models with wheels and adjustable legs, creates a suitable connection platform for the operator arms. The product is only coordinated to work with TK120.800 module. Kindly contact us for further information.

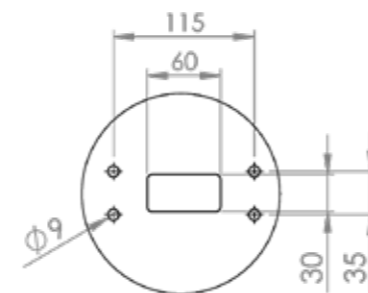
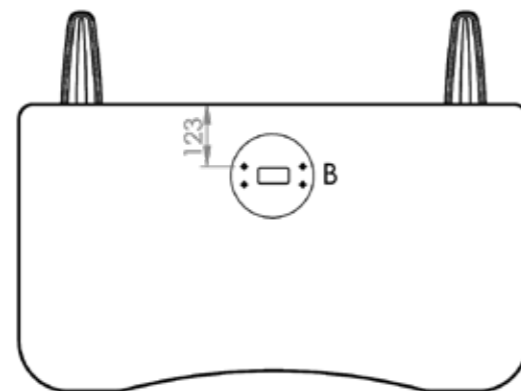
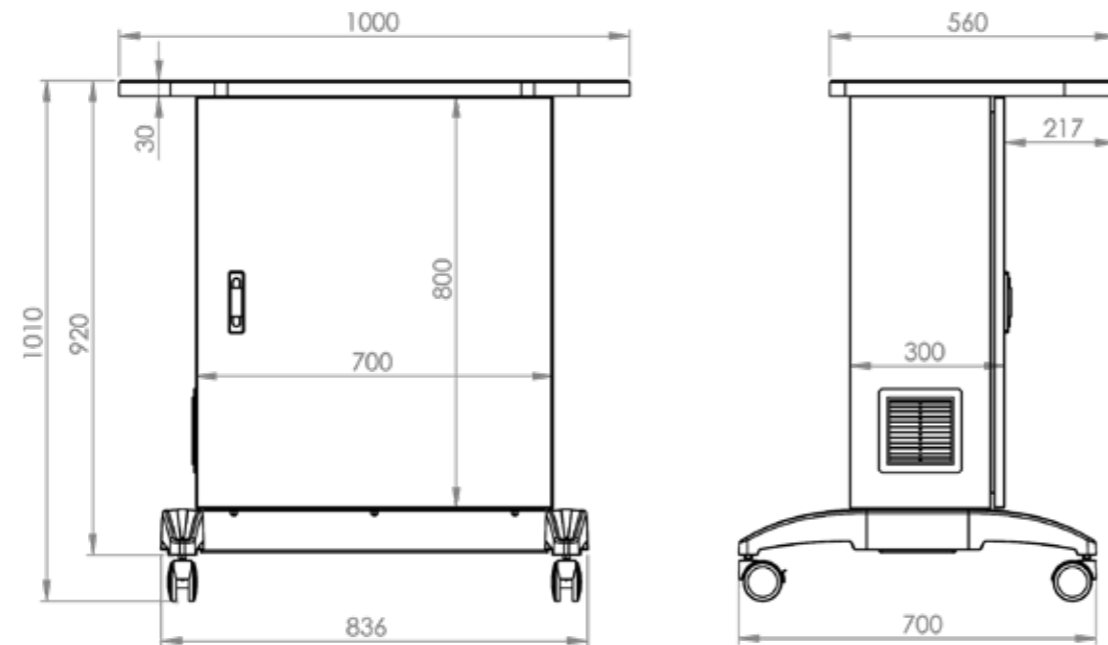
Weight (Kg)	16,5
Color RAL No	7035
Package	1
Package Dimension (mm)	510x110x610
Movement	Fixed



KS.PC.01 Kiosk Enclosure Systems

The cabinets designed for mobile control of the system control stand out with its modern appearance, modular construction and high durability. Cabinets have resistant for dust and water thanks to their IP 65 sealing properties. Standard cabinet sizes are 700mm width, 800mm height, 300mm depth . With requests from the customers changes can be made about, cabin measurements, layout in the cabin, filter fan, opening direction of the door, locks quantity, product paint etc. The wooden table on the panel and the wheels supporting the wheel are easily mounted. Compatible module: TK060.800

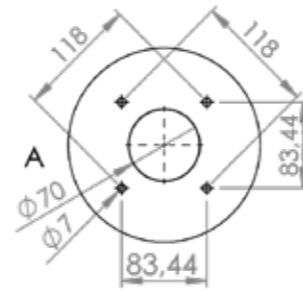
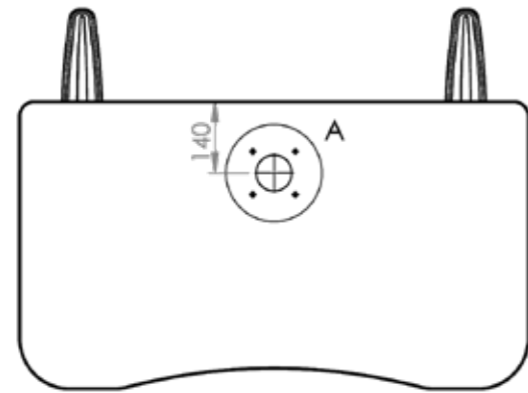
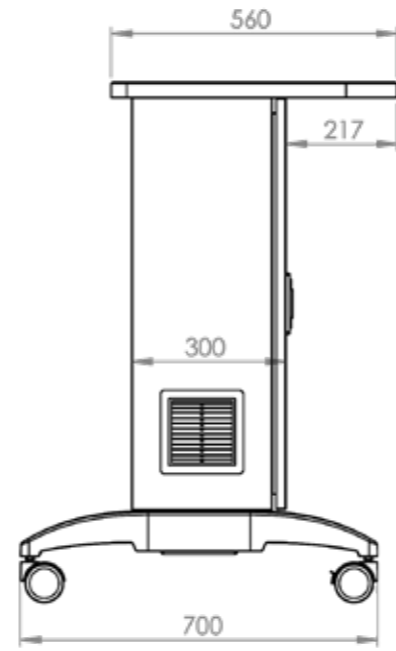
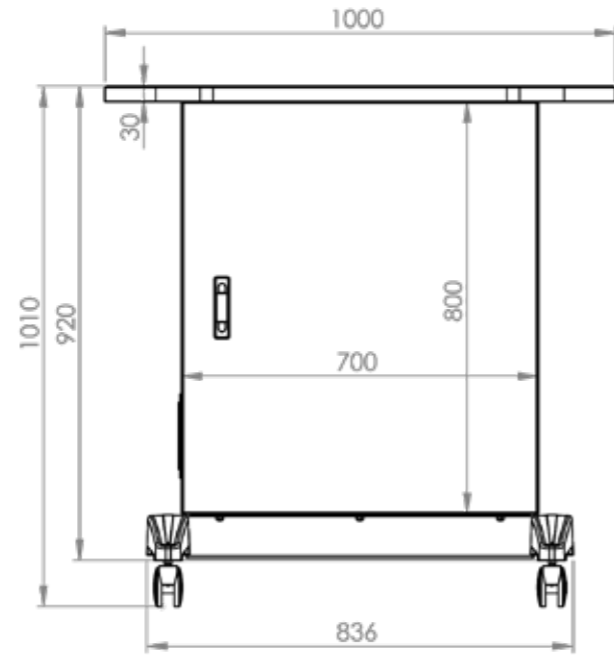
Weight (kg)	100
Color RAL No	7035/7016
Package	1
Movement	Modular



KS.PC.02 Kiosk Enclosure Systems

The cabinets designed for mobile control of the system control stand out with its modern appearance, modular construction and high durability. Cabinets have resistant for dust and water thanks to their IP 65 sealing properties. Standard cabinet sizes are 700mm width, 800mm height, 300mm depth . With requests from the customers changes can be made about, cabin measurements, layout in the cabin, filter fan, opening direction of the door, locks quantity, product paint etc. The wooden table on the panel and the wheels supporting the wheel are easily mounted. Compatible module: TK060.321, TK060.840

Weight (Kg)	100
Color RAL No	7035/7016
Package	1
Movement	Modular

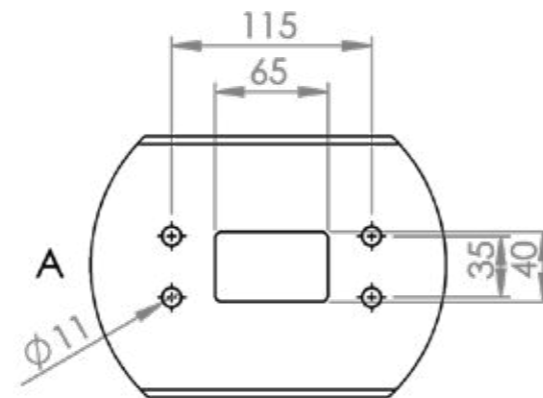
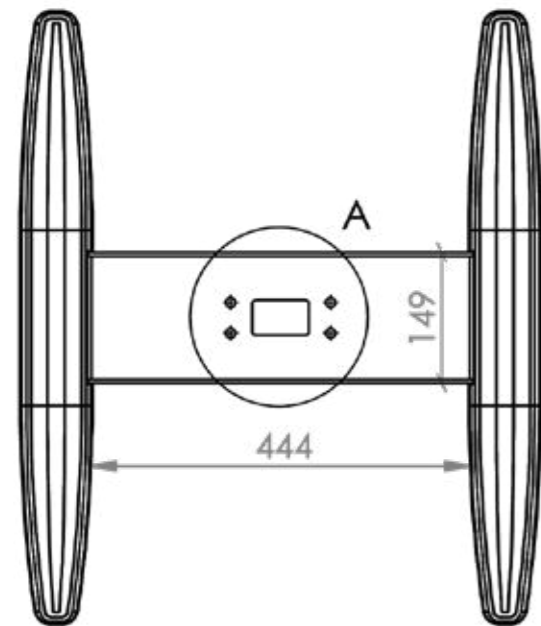
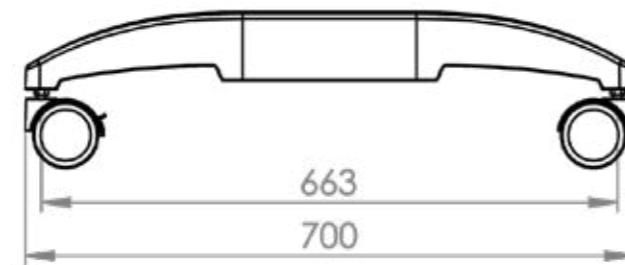
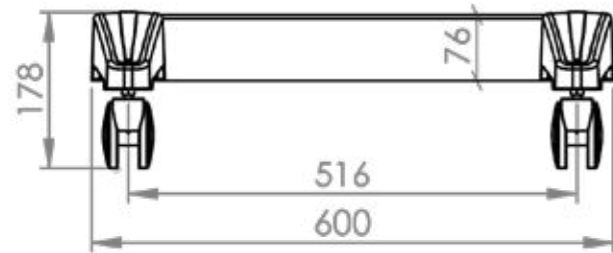


KS.Slim.060 Stand Systems



Designed for situations where the system control is to be managed mobile, the cabin systems stand out with their features such as modern appearance, modular structure and high stability. Kiosk tables are designed for limited areas where operator arm applications are insufficient or for points where the control panel is constantly changing. Kiosk tables form a suitable connection platform for operator arms. This product is compatible with TK060.800 module only. For detailed information about the product, please contact us.

Weight (Kg)	12
Color RAL No	7035/7016
Package	1
Package Dimension (mm)	335x95x705
Movement	Modular

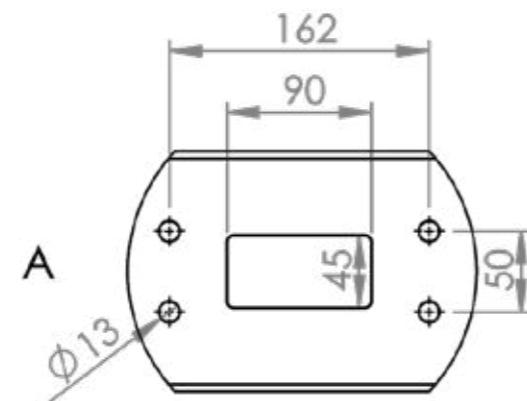
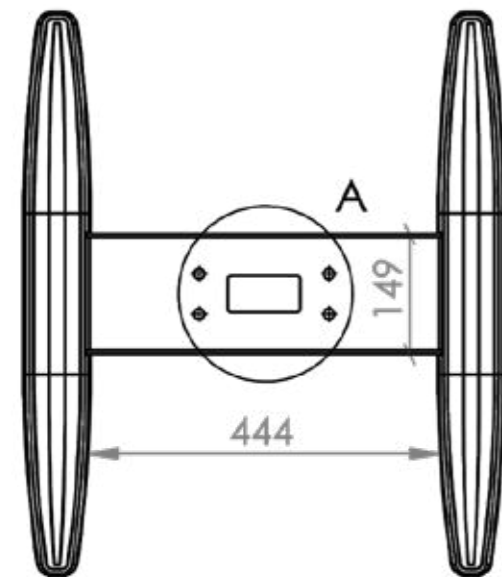
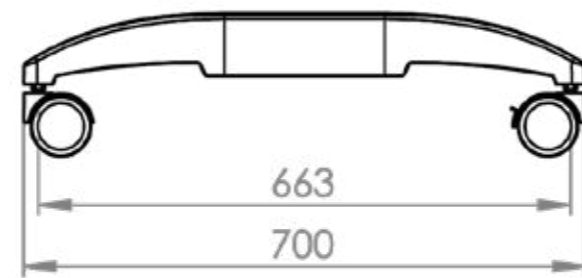
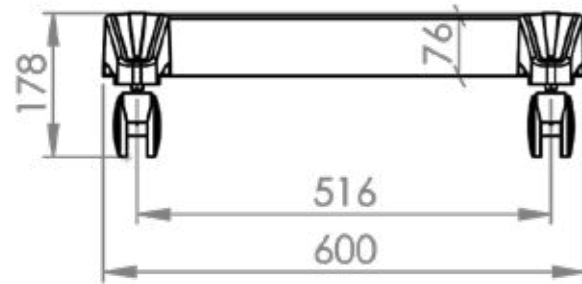


KS.Slim.120 Stand Systems



Designed for situations where the system control is to be managed mobile, the cabin systems stand out with their features such as modern appearance, modular structure and high stability. Kiosk tables are designed for limited areas where operator arm applications are insufficient or for points where the control panel is constantly changing. Kiosk tables form a suitable connection platform for operator arms. This product is compatible with TK120.800 module only. For detailed information about the product, please contact us.

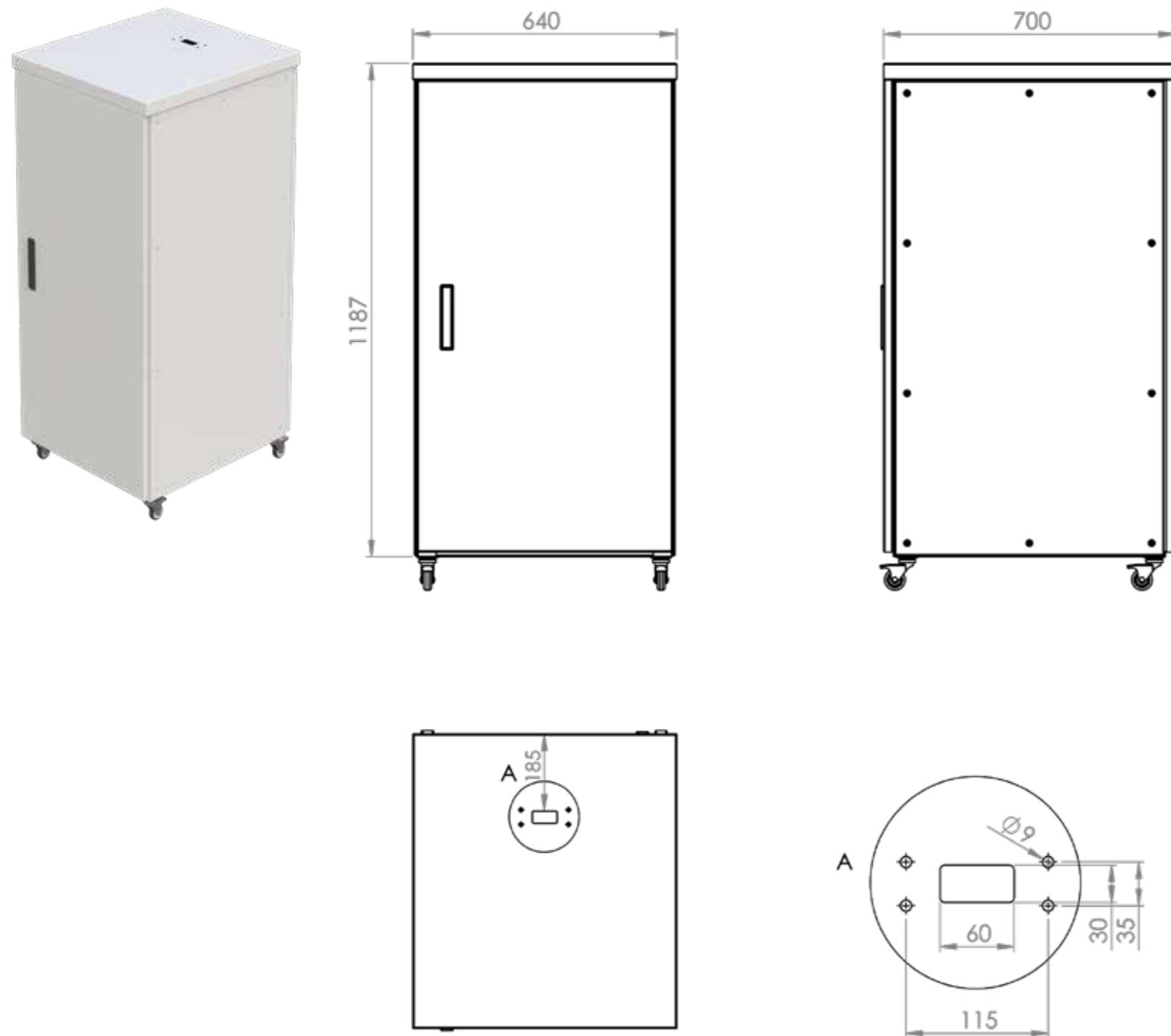
Weight (Kg)	12
Color RAL No	7035/7016
Package	1
Package Dimension (mm)	335x95x705
Movement	Modular



KS.Kabin.01 Kiosk Enclosure Systems

Designed for situations where the system control is to be managed mobile, the cabin systems are characterized by modern appearance, modular structure and high durability. The cabins are resistant to factors such as dust and water thanks to their IP55 leakiness feature. The dimensions of the standard cabins are 640 x 1187 x 700 mm according to Width / Height / Depth. In accordance with the demands of the customers, cabin dimensions, in-cab layout, filter fan, opening direction of cover, number of cover locks-direction, product paint etc. varieties can be done. Compatible module: TK060.800

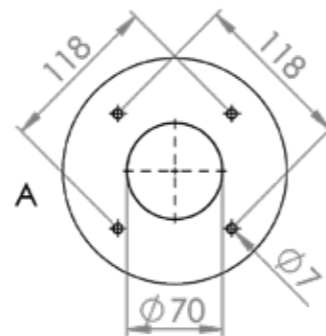
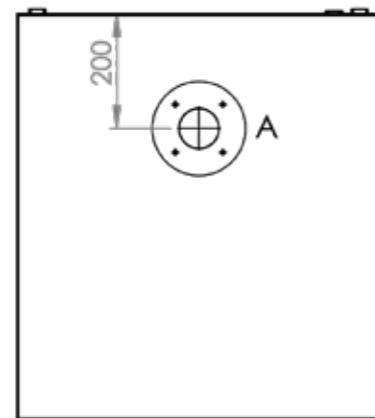
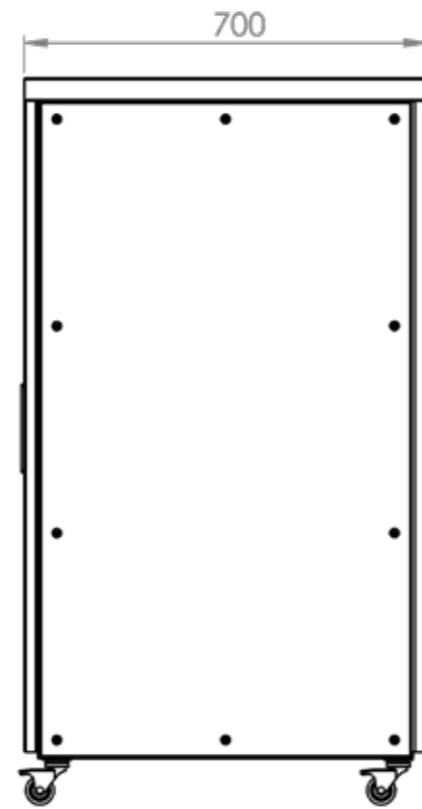
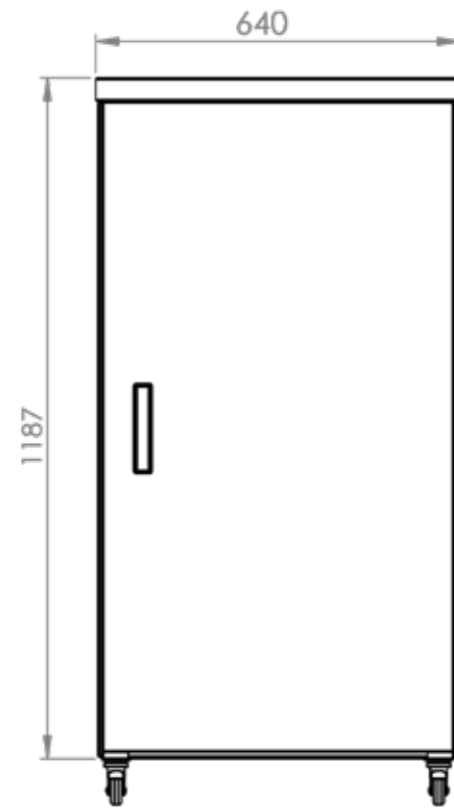
Weight (kg)	100
Color RAL No	7035
Package	1
Package Dimension (mm)	650x710x1200
Movement	Modular



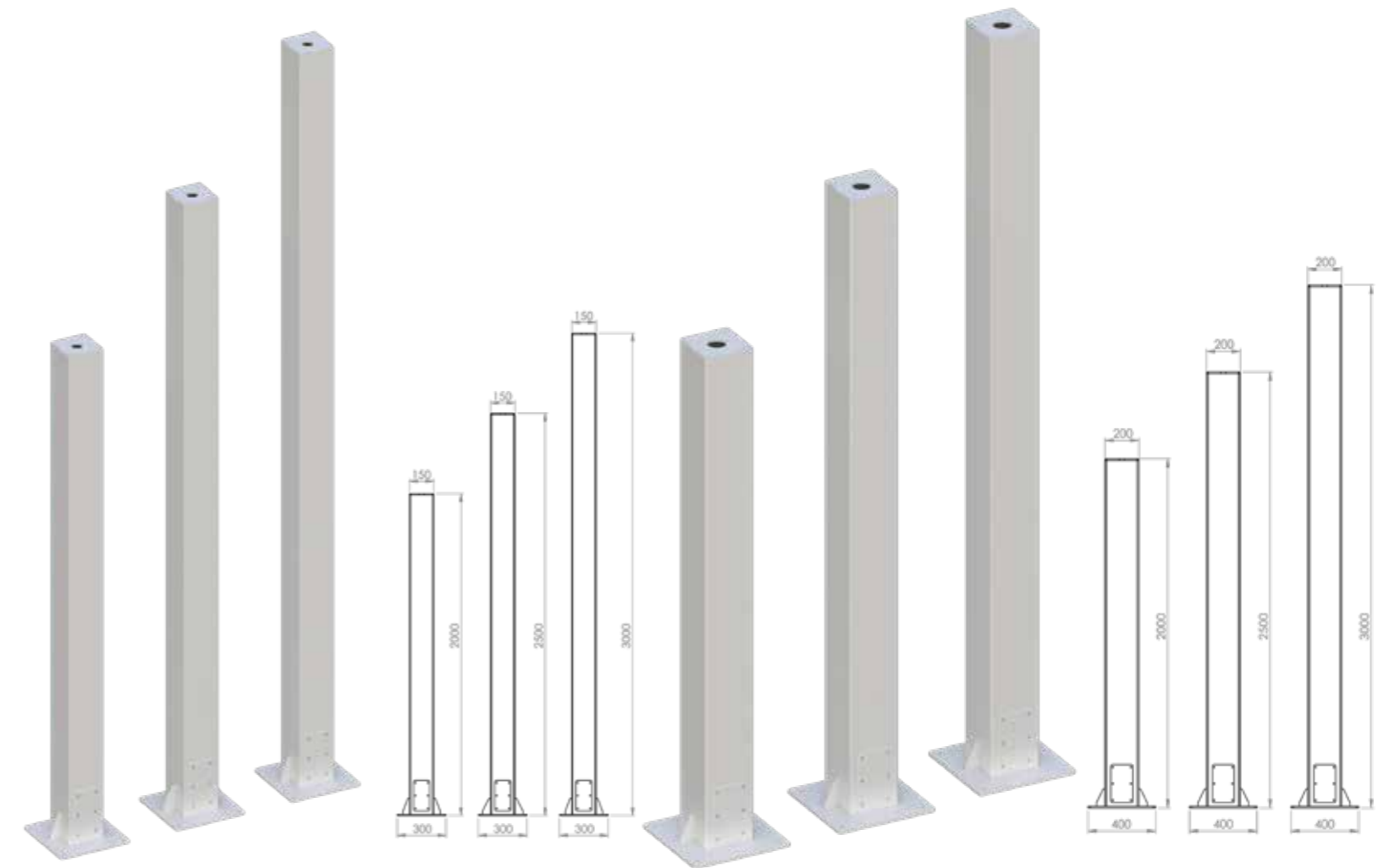
KS.Kabin.02 Kiosk Enclosure Systems

Designed for situations where the system control is to be managed mobile, the cabin systems are characterized by modern appearance, modular structure and high durability. The cabins are resistant to factors such as dust and water thanks to their IP55 leakiness feature. The dimensions of the standard cabins are 640 x 1187 x 700 mm according to Width / Height / Depth. In accordance with the demands of the customers, cabin dimensions, in-cab layout, filter fan, opening direction of cover, number of cover locks-direction, product paint etc. varieties can be done. Compatible module: TK060.321, TK060.840

Weight (Kg)	100
Color RAL No	7035/7016
Package	1
Package Dimension (mm)	650x710x1200
Movement	Modular



Coupling Towers



	TK150.200	TK150.250	TK150.300	TK200.200	TK200.250	TK200.300
Weight (Kg)	45	55	65	70	80	100
Length (mm)	2000	2500	3000	2000	2500	3000
Ral/Color No	7035	7035	7035	7035	7035	7035
Package	1	1	1	1	1	1
Package Dimension (mm)	320x320x2020	320x320x2520	320x320x3020	420x420x2020	420x420x2520	420x420x3020
Movement	Fixed	Fixed	Fixed	Fixed	Fixed	Fixed

Coupling towers are the solution when a support arm and panel assembly cannot be attached to a machine or to an automation line.

Tower dimensions are:

150x150 (LxW) and 2.0, 2.5, or 3.0 mt Height

200x200 mm, and 2.0, 2.5, or 3.0 mt Height.

Standard tower color is RAL7035. Custom coloring is available.

Towers are assembled on a base for stable assembly.

The tower lid contains peripherals such as cables, sockets, etc. Easily assembled thanks to special coupling holes and provided screws.

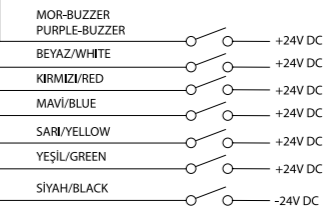
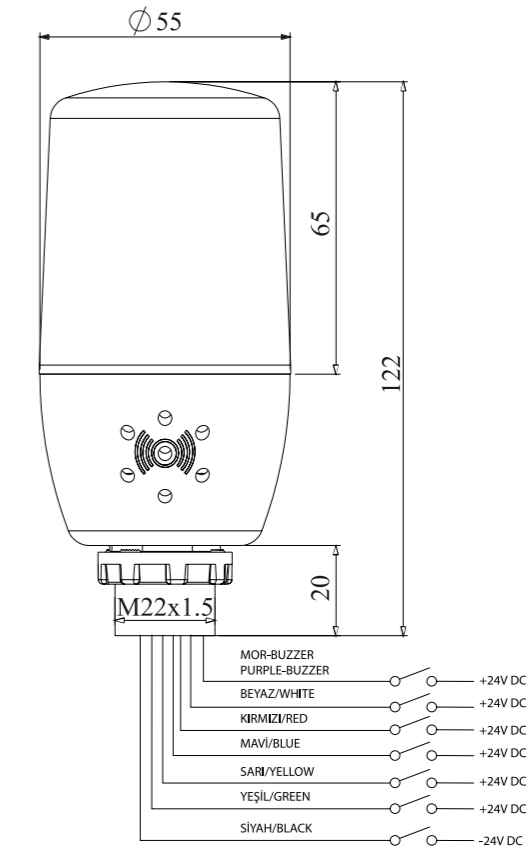
Custom colors, dimensions, or configurations are available.

Warning Lamps

IKZ.01

Audiovisual signal lights are the fastest way to warn your operator of a maintenance, material request or machine fault using both high-intensity light and 90 dB alarm. TEKNOKOL warning systems are compatible with our support arm series. Features include multicolored lights in one block, Ø22 mm opening for electrical connection, and LED and flasher options.

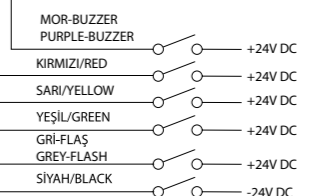
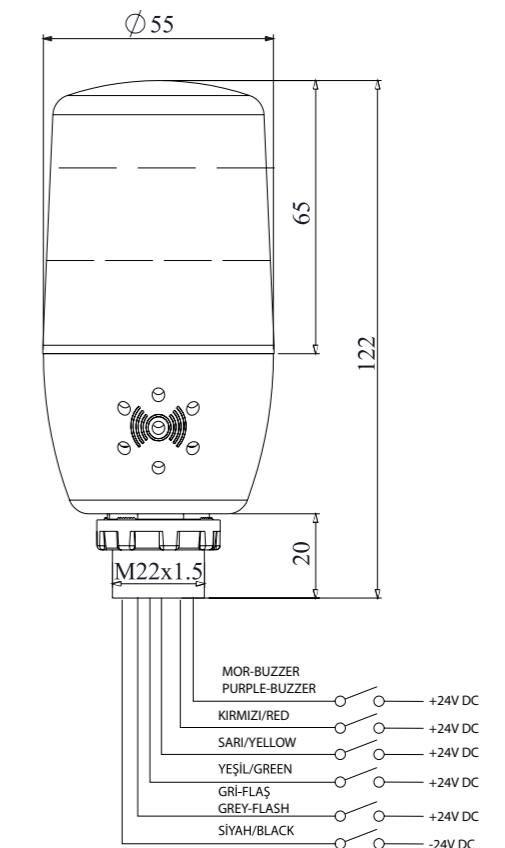
- One block with color options
- 22 mm coupling nut
- LED or Flasher LED option (on same block)
- 90 db buzzer
- 24 V dc



IKZ.02

Audiovisual signal lights are the fastest way to warn your operator of a maintenance, material request or machine fault using both high-intensity light and 90 dB alarm. TEKNOKOL warning systems are compatible with our support arm series. Features include multicolored lights in one block, Ø22 mm opening for electrical connection, and LED and flasher options.

- 3 level,3 color option
- 22 mm coupling nut
- LED or Flasher LED option (on same block)
- 90 db buzzer
- 24 V dc



Our Quality Certificates



26,465.54

28,161.92

26,465.54

+5.74

23,076.00

From Turkey To All
Around the World...

Contact

Teknokol Operatör Kol ve Pano Sistemleri A.Ş.

Kayapa Mh. K.O.S.B Karanfil Cd. No:6/A, 16315

Nilüfer, Bursa-TURKEY

T: +90 224 443 23 81

E: teknokol@teknokol.com

Follow us on social media

[in](https://www.linkedin.com/company/teknokolsystems) /teknokolsystems [@](https://www.instagram.com/teknokolofficial) /teknokolofficial

www.teknokol.com



