

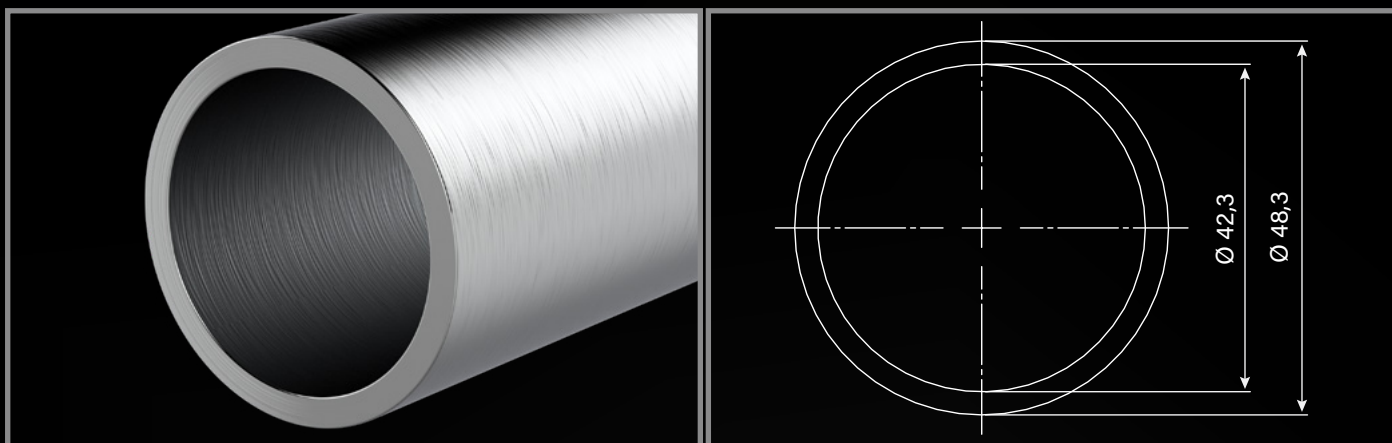
# TEKNOKOL®

Support Arm and Control Panel Systems

## STAINLESS STEEL SERIES

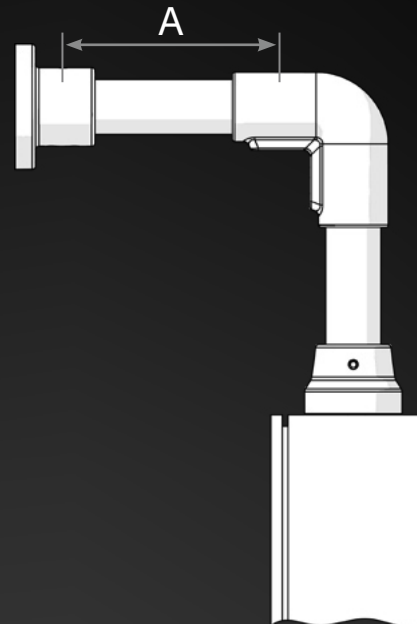
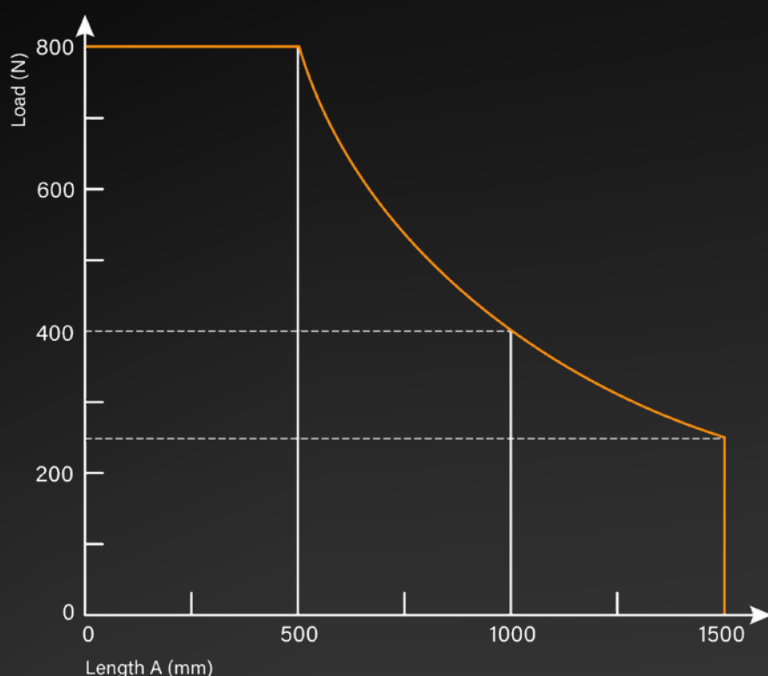


# STAINLESS PIPE PROFILE



TK048 Series operator arms are stainless steel pipe profiles with an outer diameter 48,3 mm, thickness 3 mm and length 250, 500, 750, 1000 mm. Stainless steel pipes produced with precision production technique have high strength with its rigid structure and strong cross-section. It is made of AISI 304 quality stainless steel material. The pipe surface is polished with satin surface treatment. It is fixed to the connection modules with multiple clamping screws. You do not need to do any work on the pipe profile, you can take it out of the box and assemble it. Please contact us for your support profile requests in different lengths.

## LOAD DIAGRAMS

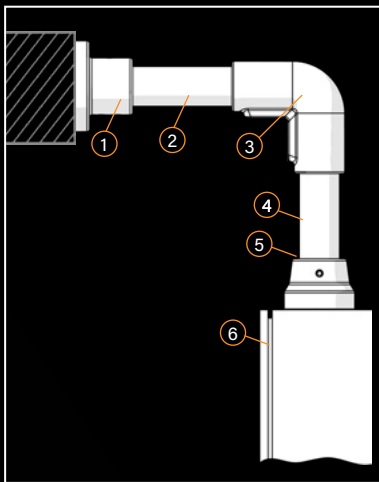


Permissible load depending on system configuration.

PRODUCT CODE	LENGHT	WEIGHT	DIAMETER	SURFACE	MATERIAL
TK048.025	250 MM	950 GR	Ø 48.3 MM	SATIN	STAINLESS STEEL 1.4301 (AISI 304)
TK048.050	500 MM	1900 GR	Ø 48.3 MM	SATIN	STAINLESS STEEL 1.4301 (AISI 304)
TK048.075	750 MM	2850 GR	Ø 48.3 MM	SATIN	STAINLESS STEEL 1.4301 (AISI 304)
TK048.100	1000 MM	3800 GR	Ø 48.3 MM	SATIN	STAINLESS STEEL 1.4301 (AISI 304)

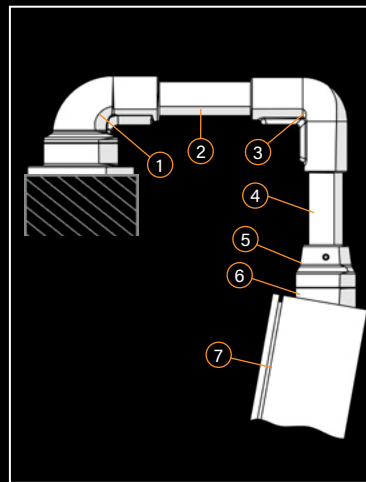
# CONFIGURATIONS

**A**



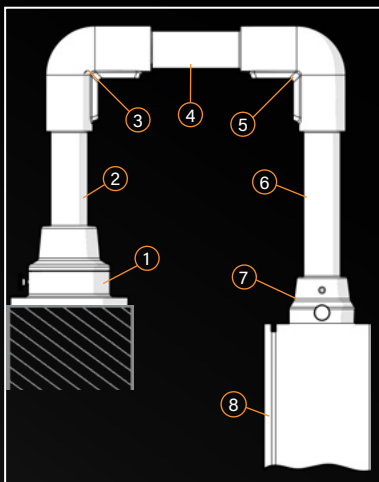
NO	PRODUCT CODE
1.	TK048.800
2.	TK048.050
3.	TK048.420
4.	TK048.050
5.	TK048.320
6.	STAINLESS PANEL

**B**



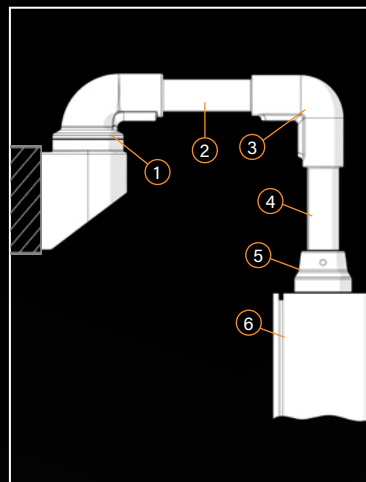
NO	PRODUCT CODE
1.	TK048.600
2.	TK048.050
3.	TK048.420
4.	TK048.050
5.	TK048.320
6.	TK048.323
7.	STAINLESS PANEL

**C**



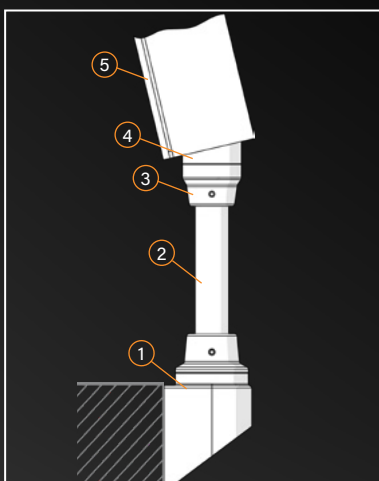
NO	PRODUCT CODE
1.	TK048.610
2.	TK048.050
3.	TK048.420
4.	TK048.050
5.	TK048.420
6.	TK048.050
7.	TK048.320
8.	STAINLESS PANEL

**D**



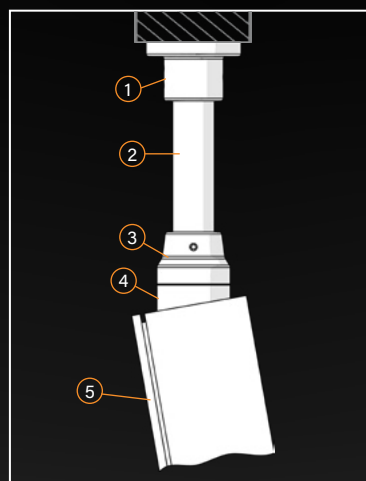
NO	PRODUCT CODE
1.	TK048.700
2.	TK048.050
3.	TK048.420
4.	TK048.050
5.	TK048.320
6.	STAINLESS PANEL

**E**



NO	PRODUCT CODE
1.	TK048.710
2.	TK048.050
3.	TK048.320
4.	TK048.323
5.	STAINLESS PANEL

**F**



NO	PRODUCT CODE
1.	TK048.800
2.	TK048.050
3.	TK048.320
4.	TK048.323
5.	STAINLESS PANEL

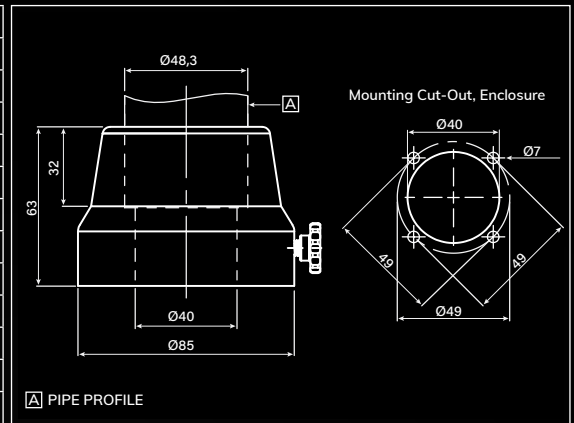
“Assembly applications are for illustrative purposes.”

# STAINLESS MODULES

## TK048.320



STAINLESS PANEL COUPLING MODULE	
Weight	1260 gr
Width	85 mm
Height	63 mm
Depth	85 mm
Colour	Satinised surface
Material	Stainless steel (AISI 304)
IP rating	IP66
Rotatable	(+160° / -160°)
Tilttable	No
Package quantity	1
Package dimensions	90x66x90 mm
Custom colours on request	Please contact us

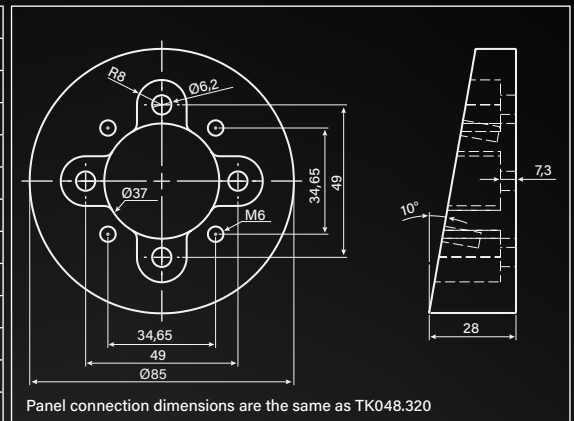


TK048.320 Panel vertical input module is a panel connection module made of AISI 304 quality stainless steel material. It is fixed to the profile with two connection bolts. Four connection bolts are needed for panel connection. With its high sealing feature (IP66), it can be easily used in liquid contact working areas. The outer surface of the module is satinised surface treated and is shipped ready for use. The module has 160° rotation movement in right direction and 160° rotation movement in left direction. It is used with stainless steel pipe profiles with an outer diameter of 48.3 mm.

## TK048.323



STAINLESS 10° ANGLE ADAPTER	
Weight	700 gr
Width	85 mm
Height	28 mm
Depth	85 mm
Colour	Satinised surface
Material	Stainless steel (AISI 304)
IP rating	IP66
Rotatable	No
Tilttable	No
Package quantity	1
Package dimensions	90x66x90 mm
Custom colours on request	Please contact us

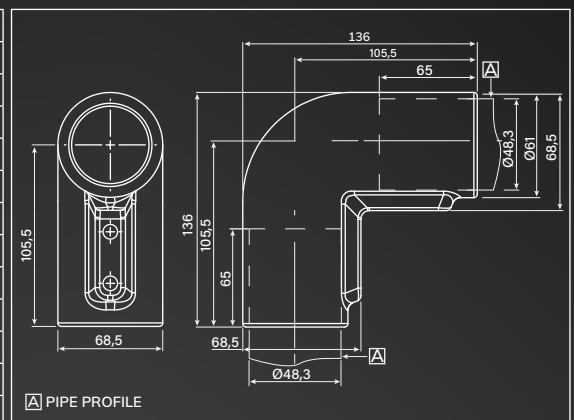


TK048.323 10° angle adapter module is made of AISI 304 quality stainless steel material and is a module that provides ergonomic use to the panels. With its high sealing feature (IP66), it can be easily used in working areas with liquid contact. The outer surface of the module is satinised surface treated and sent ready for use. This product is used together with TK048.320 module.

## TK048.420



STAINLESS CORNER TURN MODULE	
Weight	1760 gr
Width	61 mm
Height	136 mm
Depth	136 mm
Colour	Satinised surface
Material	Stainless steel (AISI 304)
IP rating	IP66
Rotatable	No
Tilttable	No
Package quantity	1
Package dimensions	65x140x140 mm
Custom colours on request	Please contact us

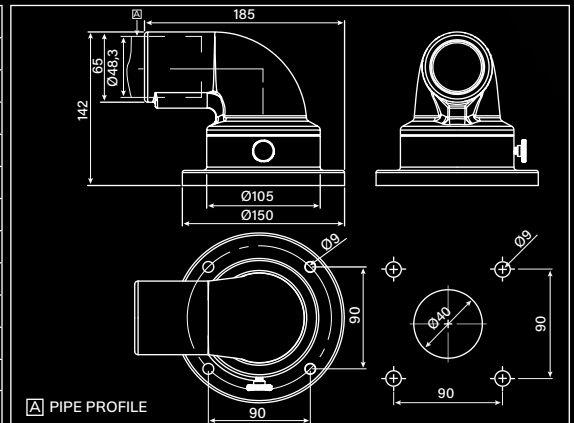


TK048.420 Corner turn module is a 90° fixed turning module made of AISI 304 quality stainless steel material. It is fixed with four connection bolts. With its high sealing feature (IP66), it can be easily used in liquid contact working areas. The outer surface of the module is satinised surface treated and shipped ready for use. It is used with stainless steel pipe profiles with an outer diameter of 48.3 mm.

## TK048.600



STAINLESS ROTATABLE TOP MOUNTED	
Weight	5200 gr
Width	150 mm
Height	142 mm
Depth	185 mm
Colour	Satinised surface
Material	Stainless steel (AISI 304)
IP rating	IP66
Rotatable	(+165° / -165°)
Tilttable	No
Package quantity	1
Package dimensions	155x145x190 mm
Custom colours on request	Please contact us

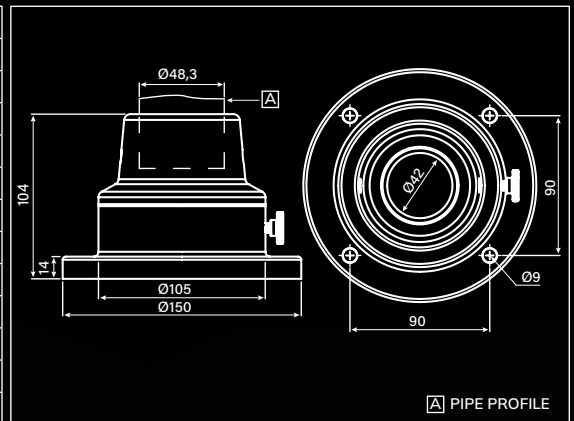


TK048.600 Top Mounted Module Corner Outlet is a top mounting movable turning module made of AISI 304 quality stainless steel material. It is fixed with four connection bolts. With its high sealing feature (IP66), it can be easily used in liquid contact working areas. The outer surface of the module is satined surface treated and shipped ready for use. It is used with stainless steel pipe profiles with an outer diameter of 48.3 mm.

## TK048.610



STAINLESS ROTATABLE TOP MOUNTED VERTICAL	
Weight	4100 gr
Width	150 mm
Height	105 mm
Depth	150 mm
Colour	Satinised surface
Material	Stainless steel (AISI 304)
IP rating	IP66
Rotatable	(+165° / -165°)
Tilttable	No
Package quantity	1
Package dimensions	155x110x155 mm
Custom colours on request	Please contact us

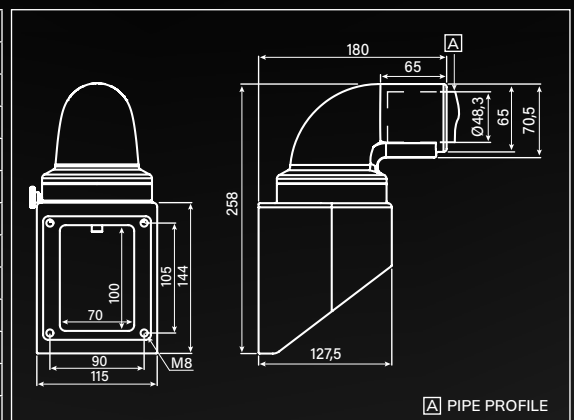


TK048.610 Top mounting module vertical outlet is a top mounting movable return module made of AISI 304 quality stainless steel material. It is fixed with four connection bolts. With its high sealing feature (IP66), it can be easily used in working areas with liquid contact. The outer surface of the module is satined surface treated and shipped ready for use. It is used with stainless steel pipe profiles with an outer diameter of 48.3 mm.

## TK048.700



STAINLESS WALL MOUNTED MODULE CORNER OUTLET	
Weight	6200 gr
Width	115 mm
Height	258 mm
Depth	180 mm
Colour	Satinised surface
Material	Stainless steel (AISI 304)
IP rating	IP66
Rotatable	(+165° / -165°)
Tilttable	No
Package quantity	1
Package dimensions	120x263x185 mm
Custom colours on request	Please contact us



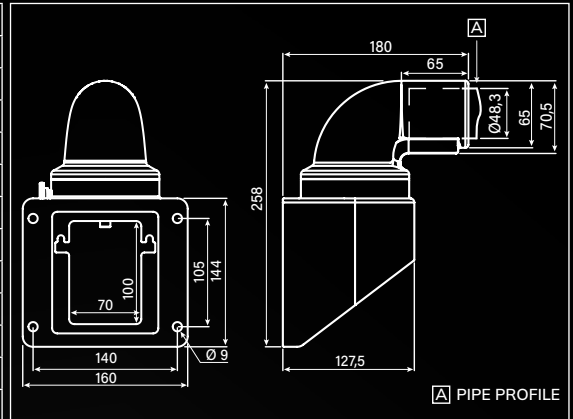
TK048.700 Wall mount module is a wall mount movable return module made of AISI 304 quality stainless steel material. It is fixed with four connection screws. With its high sealing feature (IP66), it can be easily used in working areas with liquid contact. The outer surface of the module is satined surface treated and shipped ready for use. It is used with stainless steel pipe profiles with an outer diameter of 48.3 mm.

# STAINLESS MODULES

## TK048.705



STAINLESS WALL MOUNTED MODULE VERTICAL OUTLET	
Weight	6600 gr
Width	160 mm
Height	258 mm
Depth	180 mm
Colour	Satinised surface
Material	Stainless steel (AISI 304)
IP rating	IP66
Rotatable	(+165° / -165°)
Tilttable	No
Package quantity	1
Package dimensions	165x263x185 mm
Custom colours on request	Please contact us

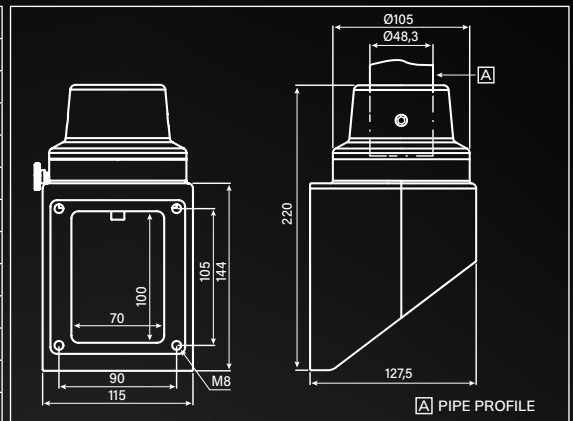


TK048.705 Wall mounting module is a wall mounting movable return module made of AISI 304 quality stainless steel material. It is fixed with four connection bolts. With its high sealing feature (IP66), it can be easily used in working areas with liquid contact. The outer surface of the module is satinised surface treated and shipped ready for use. It is used with stainless steel pipe profiles with an outer diameter of 48.3 mm.

## TK048.710

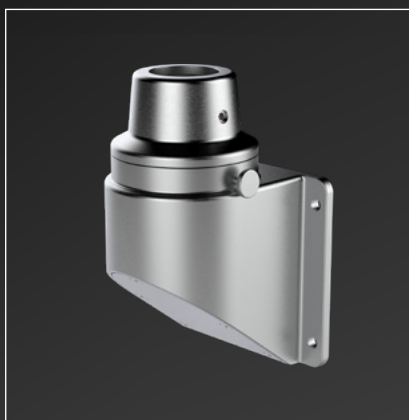


STAINLESS WALL MOUNTED MODULE	
Weight	5100 gr
Width	115 mm
Height	220 mm
Depth	128 mm
Colour	Satinised surface
Material	Stainless steel (AISI 304)
IP rating	IP66
Rotatable	(+165° / -165°)
Tilttable	No
Package quantity	1
Package dimensions	120x225x133 mm
Custom colours on request	Please contact us

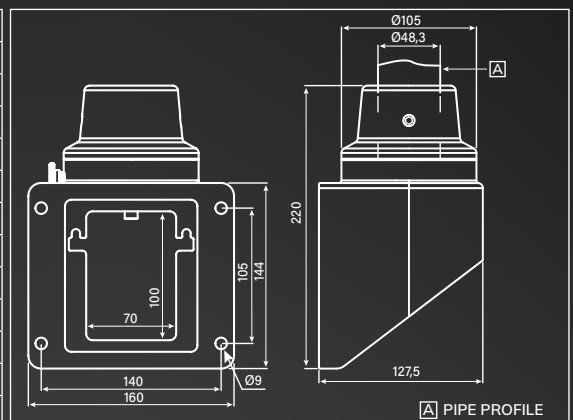


TK048.710 Wall mounting module vertical outlet is a wall mounting movable return module made of AISI 304 quality stainless steel material. It is fixed with four connection bolts. With its high sealing feature (IP66), it can be easily used in working areas with liquid contact. The outer surface of the module is satinised surface treated and shipped ready for use. It is used with stainless steel pipe profiles with an outer diameter of 48.3 mm.

## TK048.715

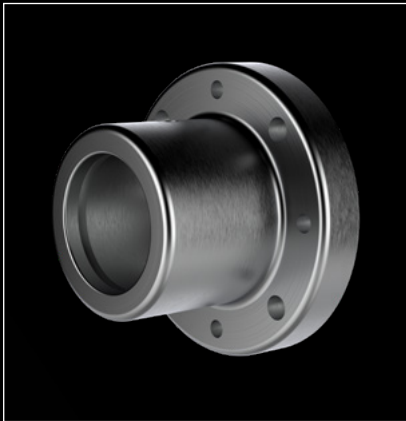


STAINLESS CORNER TURN MODULE	
Weight	5400 gr
Width	160 mm
Height	220 mm
Depth	128 mm
Colour	Satinised surface
Material	Stainless steel (AISI 304)
IP rating	IP66
Rotatable	(+165° / -165°)
Tilttable	No
Package quantity	1
Package dimensions	165x225x133 mm
Custom colours on request	Please contact us

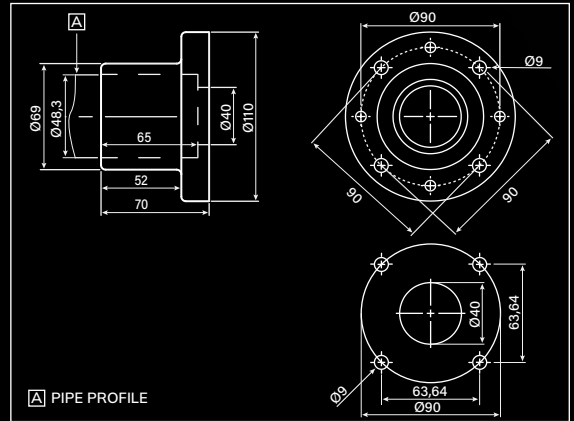


TK048.715 Wall mounting module vertical outlet is a wall mounting movable return module made of AISI 304 quality stainless steel material. It is fixed with four connection bolts. With its high sealing feature (IP66), it can be easily used in working areas with liquid contact. The outer surface of the module is satinised surface treated and shipped ready for use. It is used with stainless steel pipe profiles with an outer diameter of 48.3 mm.

# TK048.800



STAINLESS WALL MOUNTED MODULE	
Weight	1760 gr
Width	110 mm
Height	110 mm
Depth	70 mm
Colour	Satinised surface
Material	Stainless steel (AISI 304)
IP rating	IP66
Rotatable	No
Tilttable	No
Package quantity	1
Package dimensions	115x115x75 mm
Custom colours on request	Please contact us



TK048.800 Wall - floor mounted module is a connection module made of AISI 304 quality stainless steel material. It can be easily mounted on surfaces such as machine surface etc. or wall-floor. There is a balancing feature on it to prevent linear distortions due to the surface to be mounted or sagging due to weight. With its high sealing feature (IP66), it can be easily used in liquid contact working areas. The outer surface of the module is satinised surface treated and shipped ready for use. It is used with stainless steel pipe profiles with an outer diameter of 48.3 mm.

## AREAS OF USAGE



Operator arm and panel products made from stainless steel 1.4301 (AISI 304) offer significant advantages, particularly in food and pharmaceutical production facilities where stringent hygiene control is mandatory. These products can be easily integrated into the machinery and automation systems used in such production processes. Due to its outstanding properties, stainless steel 1.4301 is frequently chosen for these types of applications.

AISI 304 grade stainless steel, with its composition of 18% chromium and 8% nickel, provides excellent corrosion resistance. This feature is especially critical in environments where corrosion issues are prevalent, such as moist and acidic conditions. Given the emphasis on hygiene in food and pharmaceutical production areas, using materials resistant to corrosion is crucial for product safety and quality control.

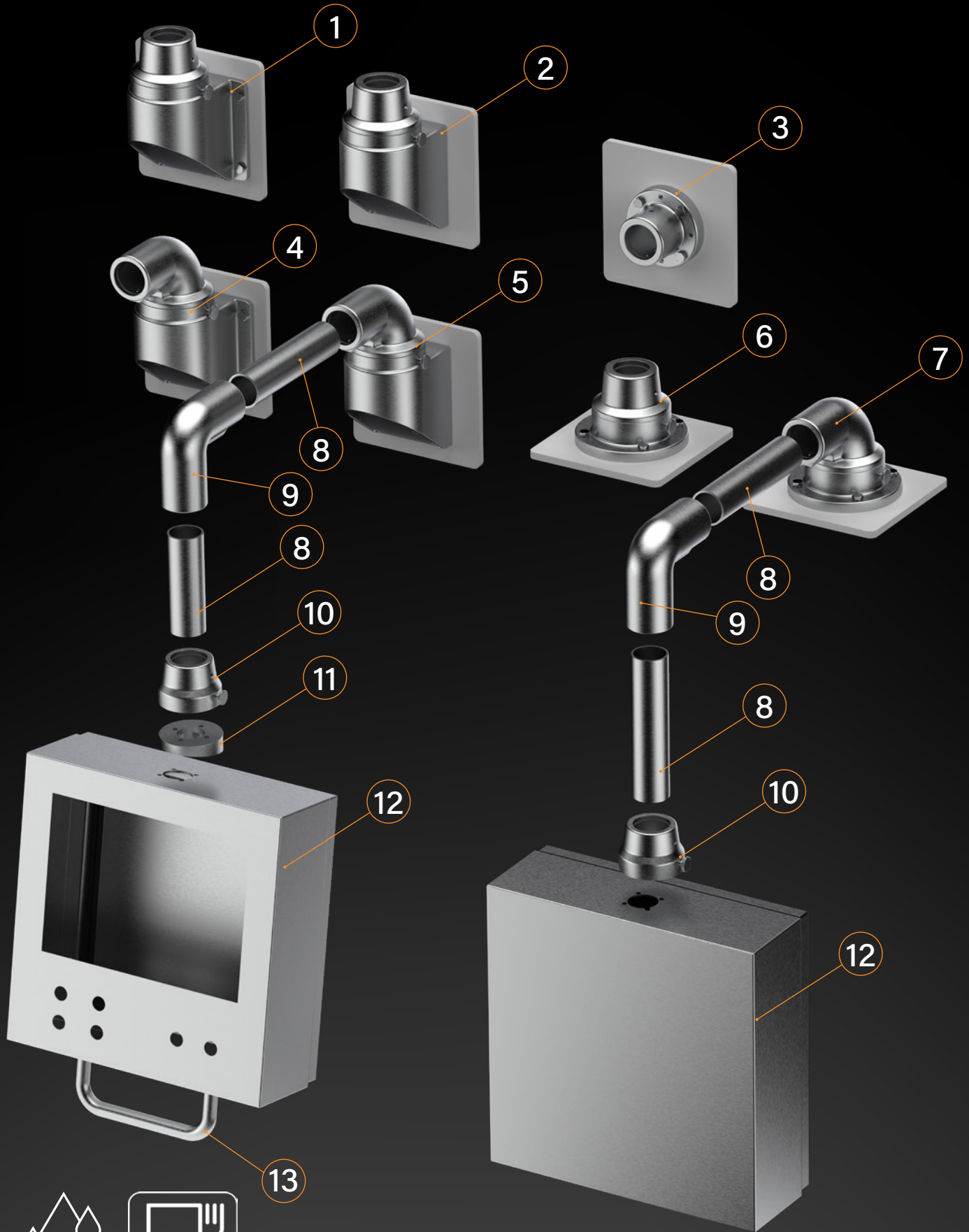


The high IP (Ingress Protection) rating of these operator arm and panel products ensures superior protection against dust, water, and other external factors. This contributes to the longevity of the equipment used in production areas and reduces maintenance costs. A high IP rating also ensures safe use in environments where electronic components are sensitive to external influences.

Another significant advantage of stainless steel 1.4301 is its ease of sterilization. This material is compatible with the cleaning solutions used in the food and pharmaceutical industries and is resistant to regular disinfection and cleaning processes. This ensures that production processes can continue uninterrupted and safely. Additionally, the smooth surface of stainless steel prevents the accumulation of microorganisms and dirt, helping to maintain hygiene standards.

In conclusion, operator arm and panel products made from stainless steel 1.4301 provide an ideal solution in food and pharmaceutical production facilities, offering both durability and hygiene. The high resistance to corrosion, high IP rating, and ease of sterilization are key factors in their selection. Consequently, these products ensure reliable and long-lasting use in production processes.

# TK048 STAINLESS ARM SERIES



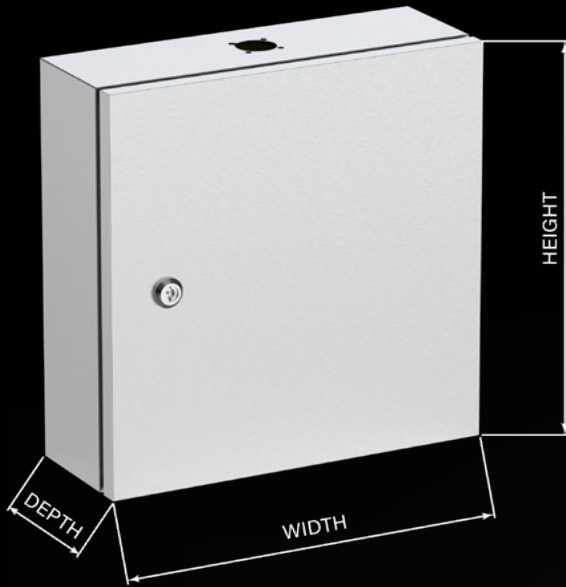
“Assembly applications are for illustrative purposes.”



## PRODUCT LIST

- 1 TK048.715  
Stainless Corner Turn Module
- 2 TK048.710  
Stainless Wall Mounted Module
- 3 TK048.800  
Stainless Wall Mounted Module
- 4 TK048.705  
Stainless Wall Mounted Module Vertical Outlet
- 5 TK048.700  
Stainless Wall Mounted Module Corner Outlet
- 6 TK048.610  
Stainless Rotatable Top Mounted Vertical
- 7 TK048.600  
Stainless Rotatable Top Mounted
- 8 TK048.025  
Stainless Pipe Profile
- 9 TK048.420  
Stainless Corner Turn Module
- 10 TK048.320  
Stainless Panel Coupling Module
- 11 TK048.323  
Stainless 10° Angle Adapter
- 12 Stainless Panel
- 13 Stainless Handle

## STAINLESS PANELS



Stainless operator control panels are made of 1.4301 (AISI 304) stainless steel. The outer surfaces of the control panels have a satin (brushed) pattern. The cover of the control panel opens from the back and has a base plate that can accommodate many equipment. It has grounding feature from three different points including the cover. Cover gasket is cast gasket and has IP66 sealing feature. Panel lock and hinge are made of stainless steel material. TK048 series is fully compatible with stainless steel carrier arms and supports many different mounting configurations.

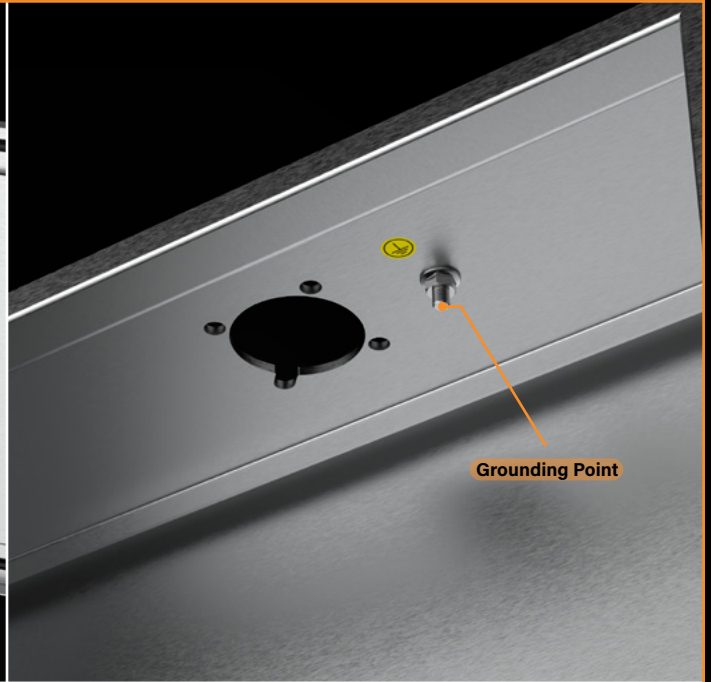
It can be produced in different width, height and depth dimensions upon request. Different hole and discharge operations can be performed on the panel. Stainless handles are recommended on the panel for ergonomic use.

## CUSTOM SOLUTIONS



WIDTH (mm)	HEIGHT (mm)	DEPTH (mm)	PANEL TYPE	COVER LOCATION	PANEL CONNECTION POINT	PANEL HOLDING ARM	PRODUCT CODE
300	300	150	Standard	Rear Opening	NO	NO	IP150.300.300.S.D1.C0.H0
						SINGLE ARM	IP150.300.300.S.D1.C0.H1
						DOUBLE ARM	IP150.300.300.S.D1.C0.H2
300	300	150	Standard	Rear Opening	YES (TOP SURFACE)	NO	IP150.300.300.S.D1.C1.H0
						SINGLE ARM	IP150.300.300.S.D1.C1.H1
						DOUBLE ARM	IP150.300.300.S.D1.C1.H2
300	300	150	Standard	Rear Opening	YES (BOTTOM SURFACE)	NO	IP150.300.300.S.D1.C2.H0
						SINGLE ARM	-
						DOUBLE ARM	IP150.300.300.S.D1.C2.H2
400	300	150	Standard	Rear Opening	NO	NO	IP150.400.300.S.D1.C0.H0
						SINGLE ARM	IP150.400.300.S.D1.C0.H1
						DOUBLE ARM	IP150.400.300.S.D1.C0.H2
400	300	150	Standard	Rear Opening	YES (TOP SURFACE)	NO	IP150.400.300.S.D1.C1.H0
						SINGLE ARM	IP150.400.300.S.D1.C1.H1
						DOUBLE ARM	IP150.400.300.S.D1.C1.H2
400	300	150	Standard	Rear Opening	YES (BOTTOM SURFACE)	NO	IP150.400.300.S.D1.C3.H0
						SINGLE ARM	-
						DOUBLE ARM	IP150.400.300.S.D1.C3.H2
400	400	150	Standard	Rear Opening	NO	NO	IP150.400.400.S.D1.C0.H0
						SINGLE ARM	IP150.400.400.S.D1.C0.H1
						DOUBLE ARM	IP150.400.400.S.D1.C0.H2
400	400	150	Standard	Rear Opening	YES (TOP SURFACE)	NO	IP150.400.400.S.D1.C1.H0
						SINGLE ARM	IP150.400.400.S.D1.C1.H1
						DOUBLE ARM	IP150.400.400.S.D1.C1.H2
400	400	150	Standard	Rear Opening	YES (BOTTOM SURFACE)	NO	IP150.400.400.S.D1.C2.H0
						SINGLE ARM	-
						DOUBLE ARM	IP150.400.400.S.D1.C2.H2
600	400	150	Standard	Rear Opening	NO	NO	IP150.600.400.S.D1.C0.H0
						SINGLE ARM	IP150.600.400.S.D1.C0.H1
						DOUBLE ARM	IP150.600.400.S.D1.C0.H2
600	400	150	Standard	Rear Opening	YES (TOP SURFACE)	NO	IP150.600.400.S.D1.C1.H0
						SINGLE ARM	IP150.600.400.S.D1.C1.H1
						DOUBLE ARM	IP150.600.400.S.D1.C1.H2
600	400	150	Standard	Rear Opening	YES (BOTTOM SURFACE)	NO	IP150.600.400.S.D1.C2.H0
						SINGLE ARM	-
						DOUBLE ARM	IP150.600.400.S.D1.C2.H2

# STAINLESS PANELS



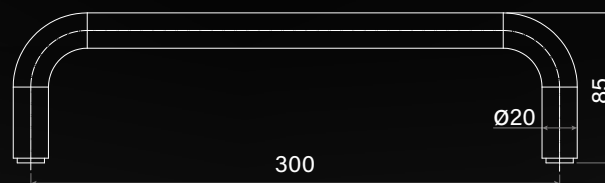
# STAINLESS HANDLES



PRODUCT CODE	MATERIAL	WEIGHT	SURFACE
INOX.HANDLE.200M	AISI 316L	800 GR	SATINE



PRODUCT CODE	MATERIAL	WEIGHT	SURFACE
INOX.HANDLE.300M	AISI 316L	1065 GR	SATINE

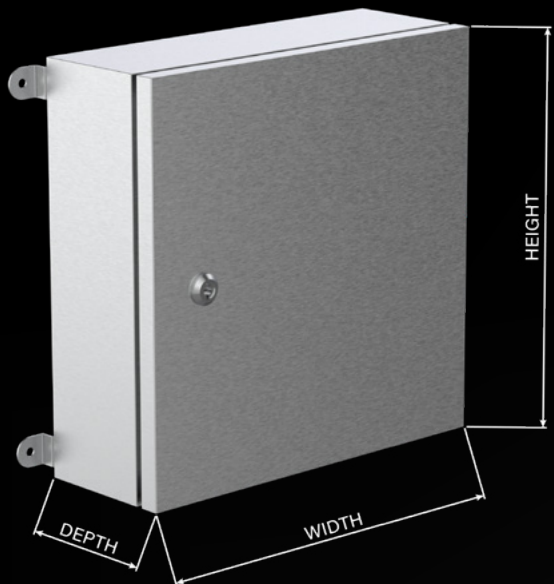


This grab handle features a length of 200 and 300 mm between the mounting points and is crafted from high-quality AISI 316L stainless steel. Its stainless steel construction ensures long-lasting durability and reliable performance. The satin finish not only provides an elegant appearance but also offers superior corrosion resistance, making it ideal for both indoor and outdoor use.

The AISI 316L material delivers maximum protection against harsh environmental conditions and chemical exposure. Its ergonomic design ensures a comfortable grip, enhancing user convenience. The extended length of the handle allows for easy access and usage, even in larger spaces. Installation is straightforward, and it can be easily mounted onto various surfaces.

With its modern and sleek design, this grab handle is both functional and aesthetically pleasing, adding a touch of sophistication to any setting.

# STAINLESS PANELS - WALL

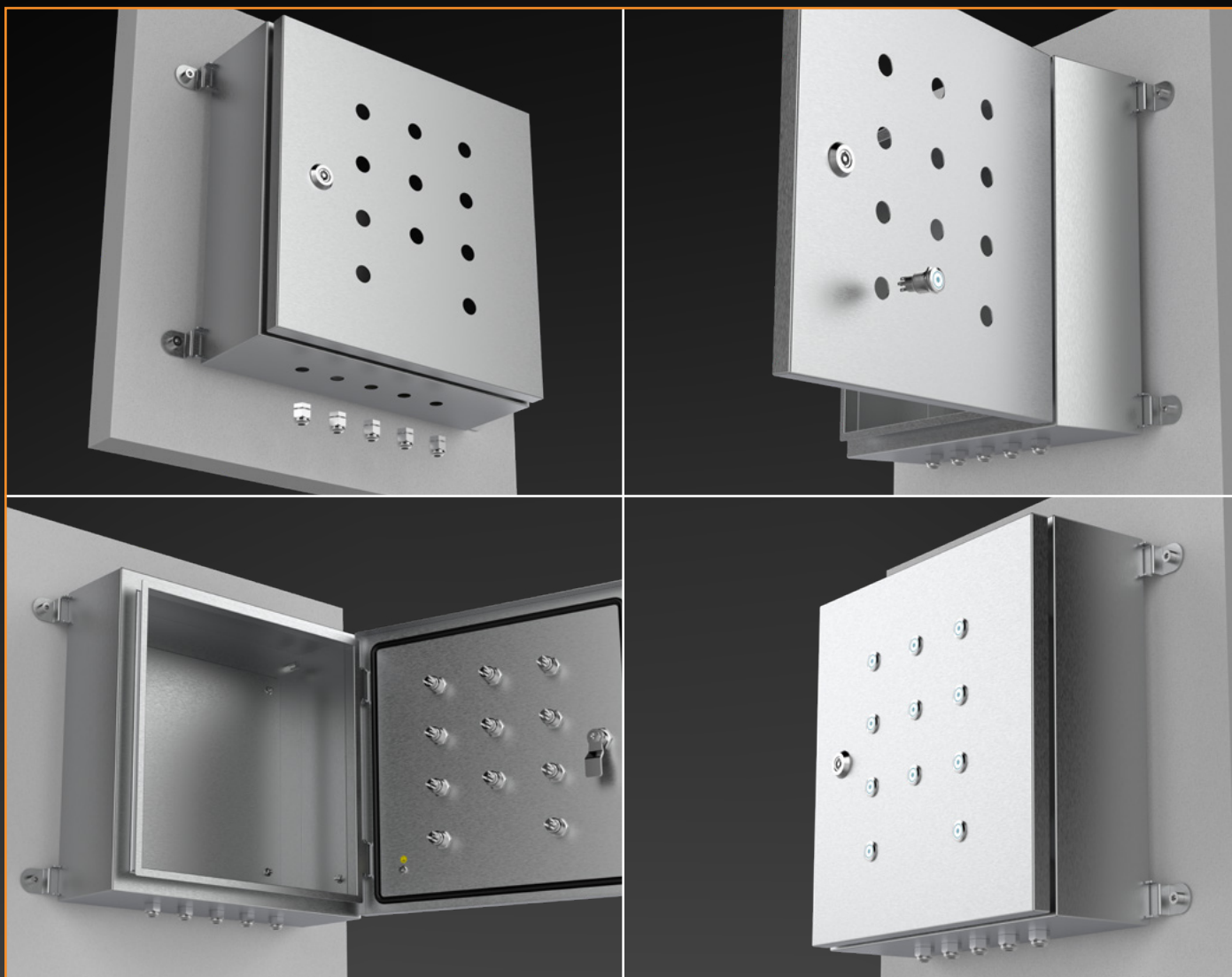


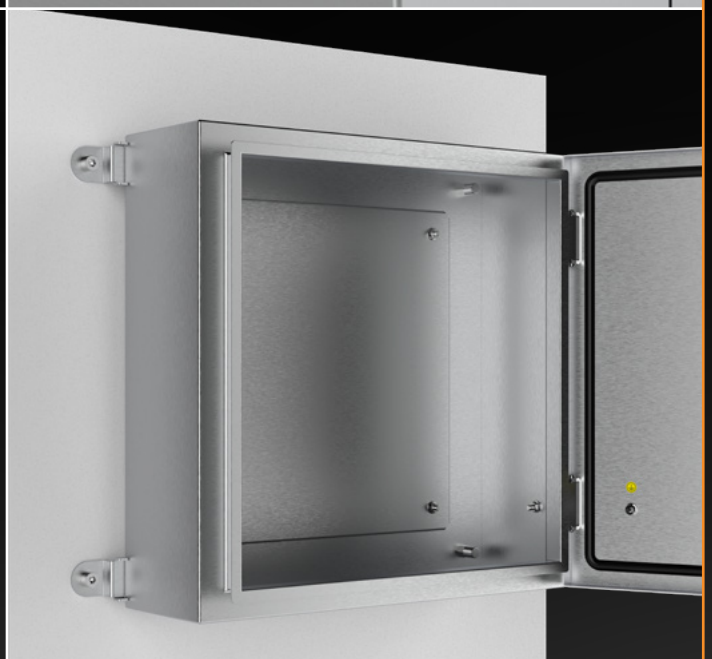
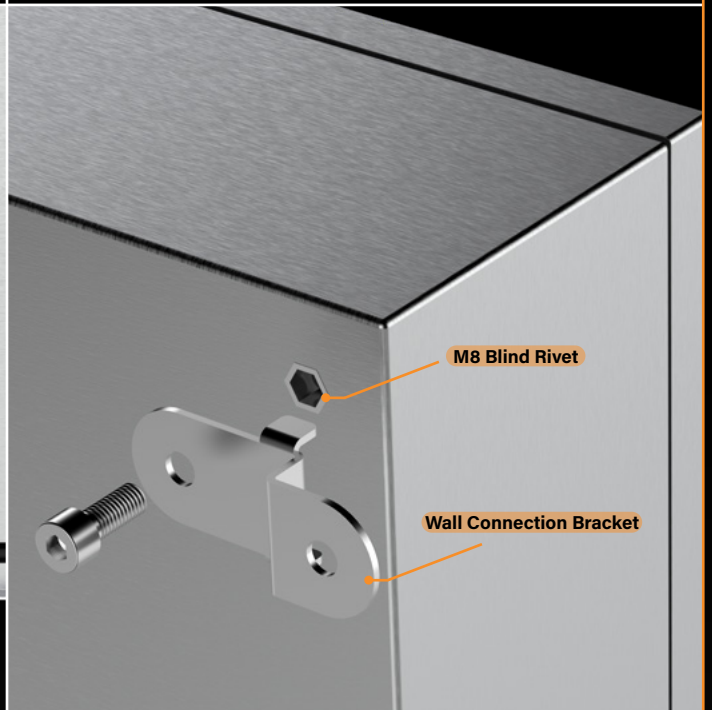
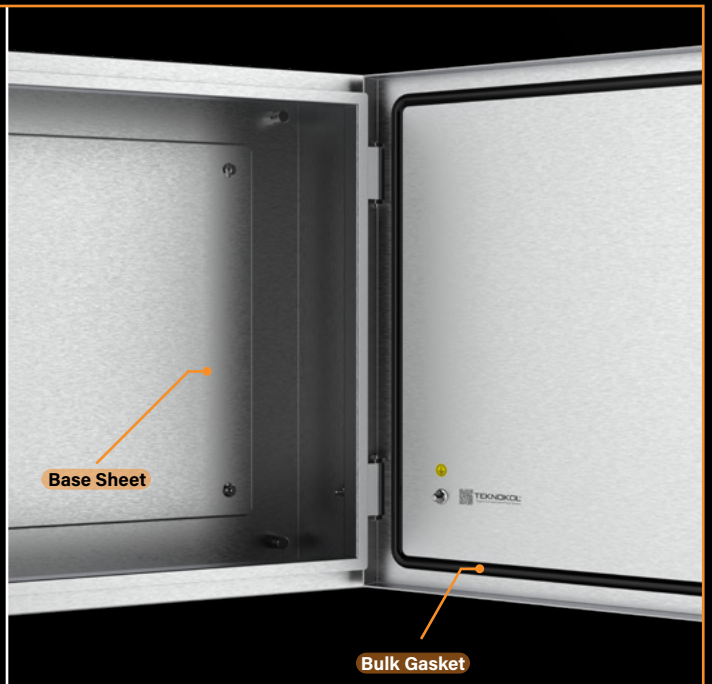
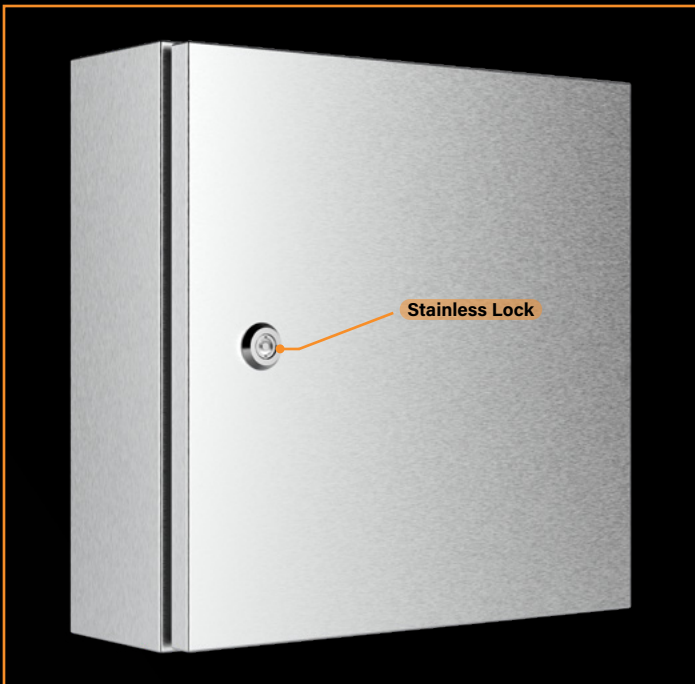
Wall type stainless operator panels are specially designed for easy installation on planes such as walls, machine surfaces, etc. Stainless operator control panels are made of 1.4301 (AISI 304) stainless steel. The outer surfaces of the control panels have a satin (brushed) pattern. On the back surface of the panel, there are connection plates made of stainless steel material that will provide mounting with the wall. These connections are permanently placed on the panel with M8 blind rivets and in this way, the IP sealing feature of the panel's mounting connection with the wall is maximized. Inside the control panel, there is a base plate that can accommodate many equipment. The cover gasket is cast gasket and has IP66 sealing feature. Panel lock and hinge are made of stainless steel material.

It can be produced in different width, height and depth dimensions upon request. Different hole and discharge operations can be performed on the panel.

WIDTH (mm)	HEIGHT (mm)	DEPTH (mm)	PANEL TYPE	COVER LOCATION	PANEL CONNECTION POINT	PANEL HOLDING ARM	PRODUCT CODE
300	300	150	Wall	Front Opening	No	No	IP150.300.300.S.D1.C0.H0
400	300	150	Wall	Front Opening	No	No	IP150.300.300.S.D1.C1.H0
400	400	150	Wall	Front Opening	No	No	IP150.300.300.S.D1.C2.H0
600	400	150	Wall	Front Opening	No	No	IP150.400.300.S.D1.C0.H0

## CUSTOM SOLUTIONS







2001.2025.v02



Scan For Brochure

## TEKNOKOL OPERATÖR KOL VE PANO SİSTEMLERİ SANAYİ VE TİCARET ANONİM ŞİRKETİ

teknokol@teknokol.com

+90 224 443 23 18

Kayapa Mah. Kayapa Sanayi Bölgesi Karanfil Cad. No:6 16315

Nilüfer/Bursa/TÜRKİYE

www.teknokol.com